



 **airlux**

- Thanks very much for choosing our product, please carefully read the following important information regarding installation safety and maintenance. And Keep this information booklet accessible for further consultations.

INSTRUCTION MANUAL

BUILT-IN HOOD

Dear Customer,

If you follow the recommendations contained in this Instruction Manual, our appliance will give you constant high performance and will remain efficient for many years to come.

WARNING!!

IN CERTAIN CIRCUMSTANCES ELECTRICAL APPLIANCES MAY BE A DANGER HAZARD.

*** DO NOT CHECK THE STATUS OF THE FILTERS WHILE THE RANGE HOOD IS OPERATING.**

*** DO NOT TOUCH THE LIGHT BULBS AFTER APPLIANCE USE.**

*** DO NOT DISCONNECT THE APPLIANCE WITH WET HANDS.**

*** AVOID FREE FLAME, AS IT IS DAMAGING FOR THE FILTERS AND A FIRE HAZARD.**

*** CONSTANTLY CHECK FOOD FRYING. OVERHEATED OIL MAY BECOME A FIRE HAZARD.**

*** DISCONNECT THE ELECTRICAL PLUG PRIOR TO ANY MAINTENANCE.**

*** DON'T USE THIS PRODUCT OUTDOORS.**

*** THIS DEVICE MAY BE USED BY CHILDREN OF AT LEAST 8 YEARS OF AGE AND BY PERSONS WITH REDUCED PHYSICAL, SENSORY OR MENTAL CAPACITIES OR WITHOUT EXPERIENCE OR KNOWLEDGE, IF THEY ARE PROPERLY SUPERVISED OR IF THEY HAVE BEEN GIVEN INSTRUCTIONS RELATING TO THE SAFE USE OF THE DEVICE AND THE RISKS INVOLVED HAVE BEEN UNDERSTOOD. CHILDREN MUST NOT PLAY WITH THE DEVICE. CLEANING AND USER MAINTENANCE SHALL NOT BE MADE BY CHILDREN WITHOUT SUPERVISION.**

*** THERE SHOULD BE ADEQUATE VENTILATION OF THE ROOM WHERE THE RANGE HOOD IS USED AT**

THE SAME TIME AS APPLIANCES BURNING GAS OR OTHER FUELS (NOT APPLICABLE TO RECYCLING MODE).

* THERE IS A FIRE RISK IF CLEANING IS NOT CARRIED OUT IN ACCORDANCE WITH INSTRUCTIONS.

* DO NOT FLAMBÉ UNDER THE RANGE HOOD.

* THE EXHAUST AIR MUST NOT BE DISCHARGED INTO A FLUE WHICH IS USED FOR EXHAUSTING FUMES FROM APPLIANCES BURNING GAS OR OTHER FUELS.

* CAUTION: ACCESSIBLE PARTS OF THIS APPLIANCE MAY BECOME HOT WHEN USED WITH COOKING APPLIANCES.

DISPOSAL OF OLD APPLIANCE



IN ACCORDANCE WITH EUROPEAN DIRECTIVE 2012/19/EU AND LOCAL LEGISLATION REGARDING USED ELECTRICAL AND ELECTRONIC GOODS, THIS APPLIANCE IS MARKED WITH THE SYMBOL OF THE CROSSED-OUT WASTE CONTAINER. THIS MARKING INDICATES THAT THE APPLIANCE MUST NOT BE DISPOSED OF TOGETHER WITH OTHER HOUSEHOLD WASTE AFTER IT HAS BEEN USED.

THE USER IS OBLIGED TO HAND IT OVER TO WASTE COLLECTION CENTRE COLLECTING USED ELECTRICAL AND ELECTRONIC GOODS. THE COLLECTORS, INCLUDING LOCAL COLLECTION POINTS, SHOPS AND LOCAL AUTHORITY DEPARTMENTS PROVIDE RECYCLING SCHEMES.

PROPER HANDLING OF USED ELECTRICAL AND ELECTRONIC GOODS HELPS AVOID ENVIRONMENTAL

AND HEALTH HAZARDS RESULTING FROM THE PRESENCE OF DANGEROUS COMPONENTS AND THE INAPPROPRIATE STORAGE AND PROCESSING OF SUCH GOODS.

CONTENTS

RECOMMENDATIONS AND SUGGESTIONS

CHARACTERISTICS

INSTALLATION & USE

MAINTENANCE

TROUBLE SHOOTING

WARRANTY CARD

RECOMMENDATIONS AND SUGGESTIONS

INSTALLATION

* The manufacturer will not be held liable for any damages resulting from incorrect or improper installation.

* Please read this instruction manual before installing and using this rangehood. Please keep this instruction manual in a safe place for future reference.

* Only a qualified and trained service technician can undertake the work of installation and servicing.

* Check that the main voltage corresponds to the one indicated on the rating plate fixed inside the hood.

* Do not connect the hood to exhaust ducts carrying combustion fumes (boilers, fireplaces, etc.)

* If the hood is used in conjunction with non-electrical appliances (e. g. gas burning appliances), a sufficient degree of ventilation must be guaranteed in the room in order to prevent the backflow of exhaust gas. The kitchen must have an opening directly with the open air in order to guarantee the entry of clean air.

* The minimum distance is 750mm from the cooker hood to a gas hob, and

is 650mm to an electric hob. If the installation instructions for gas hobs specify a greater distance, this must be taken into account.

NOTICE: Two or more people are required to install or move this appliance. Failure to do so can cause physical injuries.

USE

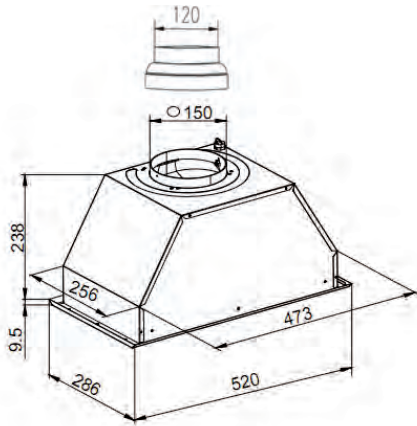
- * The rangehood has been designed only for domestic use to eliminate kitchen fumes.
- * Never use the hood for purposes other than what it has been designed for.
- * Never leave high naked flames under the hood when it is in operation.
- * Adjust the flame intensity to direct it onto the bottom of the pan only; making sure that it does not engulf the pan sides.
- * Deep fat fryer must be continuously monitored during use: overheated oil can burst into flame.
- * The hood should not be used by children or person not instructed in its correct use.

MAINTENANCE

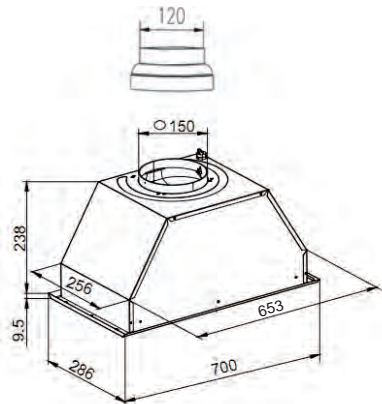
- * Proper maintenance of the rangehood will assure proper performance of the unit.
- * Disconnect the hood from the main supply before carrying out any maintenance work.
- * Clean and/or replace aluminum grease filters and activated charcoal filters after specified period of time.
- * Clean the hood using a damp cloth and a neutral liquid detergent.
- * **DISPOSAL:** Do not dispose this product as unsorted municipal waste. Collection of such waste separately for special treatment is necessary.

CHARACTERISTICS

DIMENSIONS



52cm



70cm

INSTALLATION & USE

Note 1 : On stainless steel hoods, carefully remove the plastic protective film from all exterior surfaces of the hood prior to final installation.

Note 2: At least two people will be required to mount the hood.

DESCRIPTION / CONNECTIONS

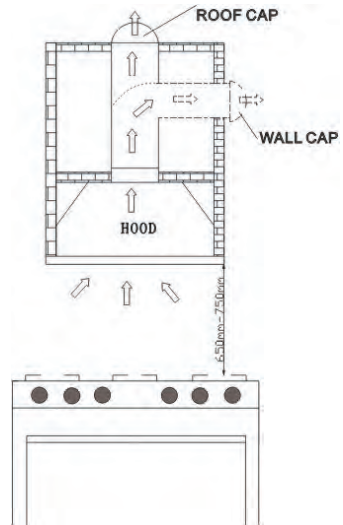
The hood may be installed in the Ducting or the Recalculating version.

Ducting version

The hood draws cooking fumes saturated with fumes and odour through the grease filters and expels it to the outside through an outlet pipe.

Caution: To reduce the risk of fire, use of metal ductwork is preferred.

Do not use flammable material to convey exhaust air.



1. Decide where the ductwork will run between the hood and the outside.
2. A straight, short duct run will allow the hood to perform most efficiently.
3. Long duct runs, elbows, and transitions will reduce the performance of the hood. Use as few of them as possible. Larger ducting may be required for best performance with longer duct runs.
4. It is recommended that $\phi 150\text{mm}$ round duct is to be used, however a reducer from $\phi 150\text{mm}$ to $\phi 120\text{mm}$ can be ordered supplied should $\phi 120\text{mm}$ be required.
5. The air must not be discharged into a flue that is used for exhausting fumes from appliances burning gas or other fuels. Regulations concerning the discharge of air have to be followed. Check with the local authority and building code for exhaust ducting requirements.
6. Install a roof/wall cap. Connect round ductwork to cap and work back towards hood location.

Recirculation version

The hood draws cooking fumes saturated with fumes and odor through the grease filters and charcoal filters and returns clean air into the room. For constant efficiency, the charcoal filters must be replaced periodically.

Decide from the outset on the type of installation (recirculation or ducting). For greater efficiency, we recommend you install the hood in the ducting version.

Electrical Connection

* Electrical wiring must be done by a qualified person(s) in accordance with all applicable codes and standards. **Turn off electrical power at service entrance before wiring.**

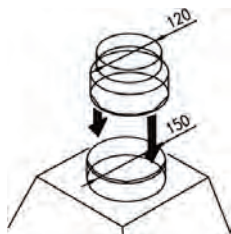
* If the supply cord is damaged, it must be replaced by the manufacturer, its service agent or similarly qualified persons in order to avoid a hazard.

* Do not use the plug and an extension cord other than the ones initially supplied with the hood.

INSTALLATION

Before beginning installation, to better handle the hood, we advise removing the face plate.

1. The range hood is designed to operated with $\phi 150\text{mm}$ exhaust Ducting. If $\phi 120\text{mm}$ exhaust Ducting has to be used, the $\phi 120\text{mm}$ reducer is required.



RECIRCULATING & DUCTING VERSION INSTALLATION:

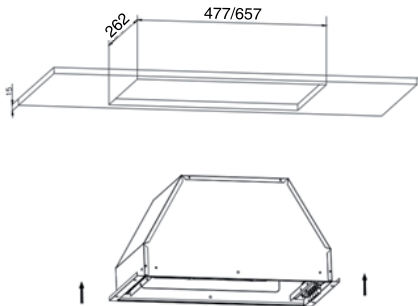
Before fixing, the outlet exhaust duct for air evacuation to the outside must be installed. Use an outlet exhaust duct with: - minimum indispensable

length; -Minimum possible bends (maximum angle of bend: 90°); -certified material (according to local, building and fire regulations); and as smooth as possible inside. It is also advisable to avoid any drastic changes in duct cross-section (recommended diameter: 150mm).

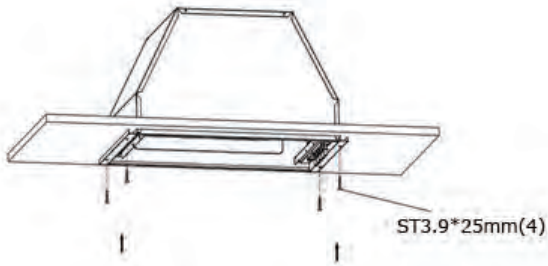
For recirculation version, please consider some outlets for clean air returns into the room.

Fitting under wall unit

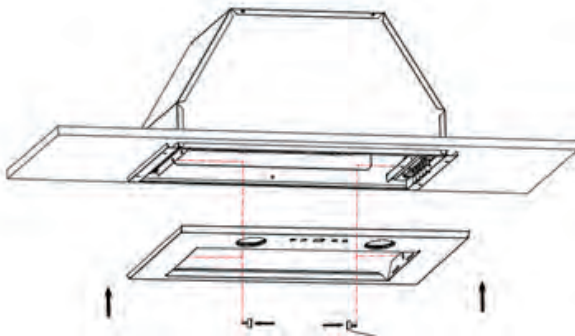
1. Before fixing the hood to the unit, drill a hole of 165mm diameter for ϕ 150mm exhaust Ducting or 135mm for ϕ 120mm exhaust Ducting in the wall unit.
2. In any case, check the position of the power outlet and consider where the power cable will run, since a hole might have to be made in the wall unit to accommodate it.
3. Unscrew the 2 visible screws located on hood of both inner size of filter frame and remove the face plate. The 4 mounting holes around the unit are then accessible.



4. Lift the range hood and fit through the opening of the cabinet. Secure unit by using 4 long mounting screws.



5. Fit the face plate on the hood by screwing 2 screws.



6. Rotate the spot LED lights clockwise into the lamp hole.
7. Make the electrical connection.

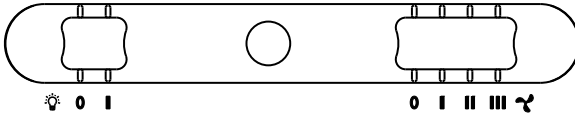
Installation is now complete.

Notice:

- Exhaust air must not be discharged into a flue which is used for exhausting fumes from appliance burning gas or other fuels.
- If the instructions for installation for the gas hob specify a greater distance than 750mm, this has to be taken into account.
- The regulations concerning the discharge of exhaust air have to be followed. Check with the local authority for building codes for exhaust ducting requirements

CONTROLS

(1) OPERATION OF CONTROLS



This hood may be operated using the slide switch on the face plate.

The light switch turns the lamps on and off.

The fan switch turns the fan on to three speed settings:

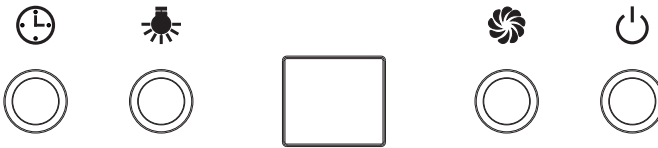
0 - OFF

1 - LOW SPEED

2 - MEDIUM SPEED

3 - HIGH SPEED

(2) OPERATION OF CONTROLS(NO BOOSTER)



The hood is operated using the electronic switch on the front panel.

The power switch turns the range hood on and off.

The light switch turns the lamps on and off.

The blower switch turns the blower onto four speed settings.

Low speed show F1

Medium speed shows F2

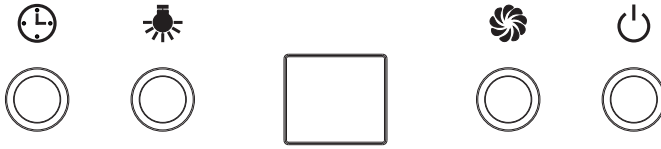
High speed shows F3

The timer delay switch decides how long the hood stay on after switching off.

Press the timer button when the motor is working, the range hood will be set with default timer as 15 minutes. Adjust the timer by press the speed button.

The motor will be stop working automatically when time is up.

(3)OPERATION OF CONTROLS(BOOSTER)



The hood is operated using the electronic switch on the front panel.

The power switch turns the range hood on and off.

The light switch turns the lamps on and off.

The blower switch turns the blower onto four speed settings.

Low speed show F1

Medium speed shows F2

High speed shows F3

Booster shows P

The timer delay switch decides how long the hood stay on after switching off.

Press the timer button when the motor is working, the range hood will be set with default timer as 15 minutes. Adjust the timer by press the speed button. The motor will be stop working automatically when time is up.

Remark: In booster speed P, the range hood will be kept working in highest speed for 5 minutes, and will turn to speed three F3 automatically once time is up.

MAINTENANCE

GREASE FILTER

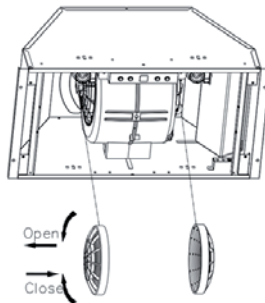
* The grease filters should be cleaned frequently (every two months of operation, or more frequently for heavy use). Use a warm detergent solution.

* Grease filters are washable. and if necessary in the dishwasher. After several washes, their color may change. This discoloration does not interfere with their proper functioning and does not give rise to complaints.

CHARCOAL FILTER

This filter is not washable, cannot be regenerated, and should be replaced approximately every 3 months of operation, or more frequently in the case of heavy usage.

1. To install the charcoal filter, lock it until the stop click is heard.
2. Install the face plate after charcoal filter is installed.



3. To remove the charcoal filters, take away the face plate first, then remove the charcoal filter by turning anti-clockwise.

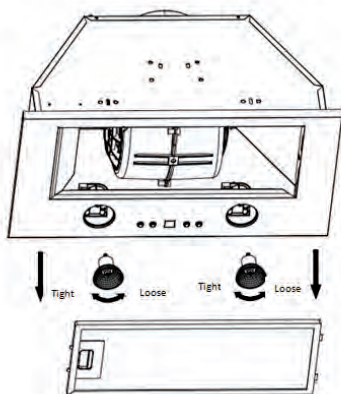
LAMPS

This rangehood may require two GU10 LED SPOT (AC 230V, 4W Max each).

WARNING: Always switch off the electrical supply before carrying out any operation on the appliance.

To change LED spot:

1. Remove the aluminum filter.
2. Loosen the LED spot anti-clockwise, and replace with LED of same kind.



CAUTION:

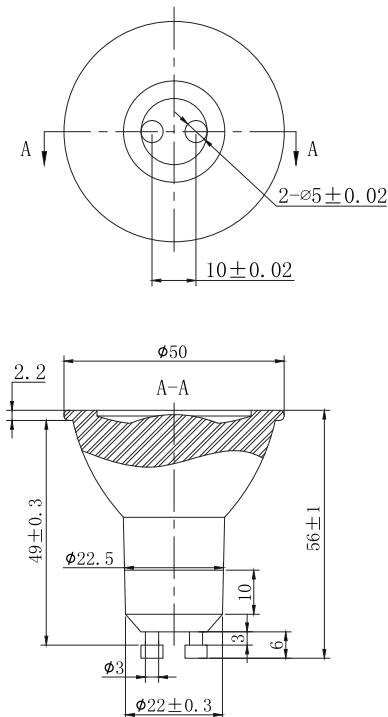
1. THE SURFACE, THE LIGHT COVER MAY BE HOT. TAKE CARE WHEN REPLACING LED LAMPS.
2. THE LED LAMPS MAY BE HOT. TAKE CARE WHEN REPLACING LED LAMPS.

We recommend only using lamps of the same specification as the ones being replaced.

GU10 LED lamp cap

ILCOS code according to IEC 61231: DB-4-220/230-GU10-50 (DB is LED module under L type according to ILCOS, 4 means the rating power is 4W, 220/230 means voltage range, Gu10 means lamp cap type, 50 means the maximum diameter of lamp) The attached drawings show the basic dimensions for replacement. The unit of length is mm.

This range hood requires led lamp (AC 230V 50hz, 2x4W Max).



HOOD CLEANING

Stainless steel is one of the easiest materials to keep clean. Occasional care will help preserve its fine appearance.

Cleaning tips:

- * Hot water with soap or detergent is all that is usually needed.
- * Follow all cleaning by rinsing with clear water. Wipe dry with a clean, soft cloth to avoid water marks.
- * For discolorations or deposits that persist, use a non-scratching household cleanser or stainless steel polishing powder with a little water and a soft cloth.
- * For stubborn cases use a plastic scouring pad or soft bristle brush together with cleanser and water. Rub lightly in direction of polishing lines or "grain" of the stainless finish. Avoid using too much pressure that may damage the surface.
- * Do not allow deposits to remain for long periods of time.
- * Do not use ordinary steel wool or steel brushes. Small bits of steel may adhere to the surface causing rust.
- * Do not allow salt solutions, disinfectants, bleaches, or cleaning compounds to remain in contact with stainless steel for extended periods. Many of these compounds contain chemicals that may be harmful. Rinse with water after exposure and wipe dry with a clean cloth.
- * Painted surfaces should be cleaned with warm water and mild detergent only.

TROUBLE SHOOTING

The rangehood may not work or work improperly. Before calling after-sales service, switch off the appliance, unplug the power supply and refer to this guide to determine the problem.

If malfunction persists, contact our After Sales Service and specify the nature of the problem, appliance model no and serial number (on the rating plate inside the hood)

Status	Reasons	Solutions
No response of the lamps and the motor	<ol style="list-style-type: none"> 1. The plug is off from the power socket. 2. The power cord is damaged. 	<ol style="list-style-type: none"> 1. Ensure that the plug is put into the power socket properly. 2. Replace the power cord if the power cord is damaged.
	The fuse on the PCB board is damaged.	Replace the fuse on the PCB board.
	The switch is damaged.	Repair or replace the switch.
The lamp doesn't work	The lamp is damaged.	Replace the damaged lamp.
The hood body gives out strong vibrations and a loud noise	<ol style="list-style-type: none"> 1. The hood has not been installed properly according to the installation process described in the instruction manual. 2. Check if the joint connection of each part is damaged. 	Ensure the hood has been installed properly according to the instruction manual.

The air exhaust performance is bad	Check if the distance between the hood and the cooker top is too big.	The ideal distance is 65-75cm.
	Ensure there is adequate ventilation.	Open the door and windows properly. Improve the environment.
	The duct is damaged. Grease Filters or charcoal filter clogged Exhaust air outlet clogged	Repair or replace the damaged duct. Replace or clean the filters Clear the air exhaust outlet

CERTIFICATO DI GARANZIA CONVENZIONALE

Il presente Certificato di Garanzia Convenzionale annulla e sostituisce eventuali altri certificati garanzia

Il testo di questo Certificato di Garanzia contiene le condizioni della Garanzia Convenzionale riconosciuta al Consumatore; dette condizioni non pregiudicano e sono rispettose dei diritti riconosciuti al Consumatore dal Decreto Legislativo 2 febbraio 2002, n.24 emesso in attuazione della Direttiva 1999/44/CE del Parlamento Europeo, nonché dal Decreto Legislativo 6 settembre 2005 n.206

Durata e condizioni di validità

Per tutti i difetti di conformità esistenti al momento della consegna dell'apparecchio ed **imputabili al produttore**, il marchio garantisce i suoi prodotti, alle condizioni e nei termini di cui alla presente garanzia ed in base alle previsioni normative sopra richiamate, per un periodo di 24 mesi decorrenti dalla data di consegna del bene risultante e certificata da un documento fiscale legalmente riconosciuto.

Il consumatore può denunciare il difetto di conformità del prodotto che si manifesta entro il termine di 2 (due) anni dalla consegna e decade dalla garanzia se non denuncia il difetto entro 2 (due) mesi dalla sua scoperta.

Perché la garanzia sia operativa è necessario che questo certificato di garanzia sia conservato unitamente al documento di consegna fiscalmente valido (documento di trasporto, fattura, scontrino fiscale, altro) che riporti il nominativo del venditore, la data di consegna, gli estremi identificativi del prodotto ed il prezzo di cessione; in caso di intervento, entrambi i documenti dovranno essere mostrati al Centro Assistenza Tecnica Autorizzato.

Il presente Certificato di Garanzia Convenzionale è valido solo per prodotti acquistati e installati nel territorio Italiano, nella Repubblica di San Marino e nella Città del Vaticano.

Gli acquirenti dei nostri prodotti residenti in altre Nazioni, per la garanzia e l'assistenza, dovranno rivolgersi alla nostra filiale e/o distributore del luogo che presterà la garanzia secondo le condizioni in vigore nelle singole nazioni.

Affinché la presente Garanzia Convenzionale abbia piena validità è necessario che:

- l'apparecchiatura sia utilizzata per scopi domestici e comunque non nell'ambito di attività imprenditoriali o professionali;
- tutte le operazioni di installazione e collegamento dell'apparecchiatura alle reti di distribuzione dell'energia elettrica e del gas siano effettuate da tecnico specializzato e seguendo scrupolosamente le indicazioni riportate nel libretto di installazione, uso e manutenzione inserito all'interno dell'apparecchiatura.
- tutte le operazioni di utilizzo dell'elettrodomestico, così come la manutenzione periodica, avvengano secondo le prescrizioni e indicazioni riportate nel libretto installazione, uso e manutenzione.
- qualunque intervento di riparazione sia eseguito da personale dei Centri di Assistenza Tecnica Autorizzati dal Produttore e che i ricambi utilizzati siano esclusivamente quelli originali; la stessa cosa vale per gli accessori ed i materiali di consumo, il cui utilizzo può infatti incidere sulle prestazioni del prodotto.

La difformità non è imputabile al produttore qualora venisse accertato dal Centro di Assistenza Tecnica Autorizzato che a causarla sono intervenute condizioni esterne al funzionamento del prodotto quali, a puro titolo esemplificativo e non esaustivo:

- portata insufficiente degli impianti elettrici e gas.
- non conformità degli impianti elettrici e gas.
- errata installazione operata da tecnici non specializzati.
- errata manutenzione operata da tecnici non autorizzati dal produttore.
- negligenza, incapacità d'uso e cattiva manutenzione da parte del consumatore rispetto a quanto riportato e raccomandato nel libretto di istruzioni del prodotto, che costituisce parte integrante del contratto di vendita.

Lo stesso vale per i danni causati all'apparecchiatura da cause di forza maggiore (fulmini, inondazioni, incendi, terremoti, sommosse, etc.) o da atti di vandalismo, ovvero da circostanze che non è possibile ricondurre a vizi di fabbricazione.

Non sono, inoltre, coperti da garanzia: gli interventi effettuati per ripristinare problemi causati da incuria, rottura accidentale, manomissione e/o danneggiamento nel trasporto quando effettuato a cura del consumatore o a cura di terzi, interventi eseguiti da personale non autorizzato, interventi per dimostrazioni di funzionamento, controlli e manutenzioni periodiche e tutto ciò che all'atto della vendita era stato portato a conoscenza del consumatore e/o che quest'ultimo non poteva ragionevolmente ignorare.

Oggetto della Garanzia

Qualora nel periodo di durata della garanzia sia accertato e riconosciuto un difetto di conformità del bene imputabile ad azione od omissione del produttore, il consumatore potrà richiedere di riparare il prodotto o di sostituirlo senza spese in entrambi i casi.

Qualora il rimedio prescelto sia oggettivamente impossibile o, a giudizio del produttore, appaia eccessivamente oneroso rispetto all'altro, quest'ultimo valuterà dapprima l'opportunità di riparare il bene, se possibile, qualora il costo delle riparazioni non risultasse sproporzionato rispetto al valore del prodotto.

Qualora il costo della riparazione risultasse sproporzionato, il produttore provvederà a sostituire il bene.

Gli eventuali interventi di riparazione o eventuale sostituzione del prodotto, non estendono la durata della garanzia originaria che decorre sempre dalla data di acquisto del primo bene acquistato.

Cosa non copre la Garanzia

Non sono coperti da garanzia tutti i componenti che dovessero manifestare un difetto di conformità a causa di:

- usura, negligenza, trascuratezza d'uso e cattiva manutenzione da parte del consumatore a causa del mancato rispetto di quanto riportato e raccomandato nei libretti installazione uso e manutenzione del prodotto.

- danni da trasporto, ovvero di circostanze che, comunque, non possono farsi risalire ad azione od omissione del produttore.

- errata installazione e/o allacciamento agli impianti di alimentazione, nonché regolazioni previste dal libretto installazione uso e manutenzione in quanto le operazioni di installazione e/o allacciamento agli impianti di alimentazione sono a carico dell'installatore abilitato.

Pertanto, nel caso in cui, su richiesta del Consumatore, sia effettuato un intervento tecnico da parte del personale dei Centri di Assistenza Tecnica Autorizzati in relazione a quanto sopra indicato, i costi dell'intervento e delle eventuali parti di ricambio saranno a totale carico del Consumatore.

Limitazioni della responsabilità del Produttore

Il marchio declina ogni responsabilità per eventuali danni che possano derivare, in modo diretto o indiretto, a persone, cose ed animali per la mancata osservanza di tutte le prescrizioni indicate nell'apposito libretto istruzioni d'uso e concernenti specialmente le avvertenze in tema di installazione, uso e manutenzione dell'elettrodomestico.

GARANZIA – Informazioni supplementari

● Quando la garanzia e' valida?

La garanzia è valida nel momento in cui il cliente è in possesso della documentazione che attesta la data di acquisto, l'identificazione specifica e la tipologia del prodotto. L'utente è quindi tenuto a presentare al tecnico il documento fiscalmente valido (fattura, scontrino fiscale, documento di trasporto) che permetta di certificare la data di acquisto, la ragione sociale del rivenditore, il modello ed il prezzo di vendita del modello stesso. Terminato il periodo di validità della GARANZIA, gli interventi saranno da considerare a PAGAMENTO.

● Quali sono le competenze del rivenditore?

Mostrare le caratteristiche del prodotto al cliente, fornendogli spiegazioni esaurienti inerenti il suo funzionamento, in linea con quanto indicato nei cataloghi commerciali.

Quando previsto dal contratto di compravendita, installare il prodotto secondo le procedure indicate sui libretti d'uso e manutenzione. L'installazione non è a carico del produttore.

Consegnare al consumatore copia originale del documento fiscale, che attesti la data d'acquisto, la ragione sociale del rivenditore, il modello ed il costo del prodotto.

● Quali sono le competenze del Centro Assistenza Tecnica Autorizzato (CAT)?

Il tecnico ha il compito di ripristinare le funzionalità e conformità del prodotto, secondo quanto indicato dalle condizioni di garanzia.

Il tecnico è il solo che ha la giusta competenza per stabilire il corretto funzionamento, o meno del prodotto e nel caso in cui esso risulti irreparabile dovrà preventivamente confrontarsi con il Produttore che gli fornirà le istruzioni su come procedere.

Il tecnico deve compilare il rapporto di assistenza (foglio di lavoro) in ogni sua parte, indicando precisamente le proprie considerazioni circa l'esito della verifica e il consumatore dovrà firmare tale rapporto di assistenza.

Prestazioni a pagamento per prodotti in garanzia

• Quali sono gli interventi su apparecchi in garanzia non coperti dalla medesima?

Sono a pagamento tutti gli interventi per i quali non è possibile applicare le norme di garanzia ovvero:

- Interventi atti a illustrare il funzionamento del prodotto.
- Interventi legati all'installazione del prodotto e/o alla correzione di errate o incomplete installazioni e/o manutenzione operata da personale non autorizzato.
- Interventi per trasformazione gas da Metano a GPL (sostituzione ugelli, pulizia ugelli e regolazioni fuochi).
- Interventi per richiedere la verifica delle temperature esterne al prodotto.
- Interventi per reinserire tasti o manopole fuoriusciti per cause non dipendenti dalla casa costruttrice.
- Interventi per danni che non influiscono sul funzionamento del prodotto.
- Interventi per danni estetici derivanti da cause esterne.
- Interventi per danni ad elementi decorativi, compresi graffi, salti di smalto e possibili differenze di colorazione.
- Interventi per problematiche causate da corpi estranei (rotture varie).
- Interventi per regolazioni varie (es.: regolazione coperchio, regolazione porta forno, regolazione portina grill, regolazione porta stipetto o porta del vano portabombola, ecc.).
- Interventi per riagganciare la porta del forno.
- Interventi per verifiche elettriche.
- Interventi eseguiti per un'errata installazione (tubo gas non stretto sufficientemente o spina mal collegata).
- Interventi derivanti dalla mancata osservanza di tutte le prescrizioni e modalità d'uso indicate nell'apposito libretto di istruzioni.
- Interventi durante i quali non viene riscontrato il difetto indicato dal cliente.
- Interventi per danni causati all'apparecchiatura da agenti atmosferici (ossidazioni) e da forza maggiore (fulmini, inondazioni, terremoti, incendi e altro) o da atti di vandalismo.
- Interventi per un uso improprio e/o non domestico del prodotto (utilizzo in bar, ristorante, mensa, agriturismo o altro).
- Interventi necessari perché non è stata effettuata la manutenzione consigliata sull'apparecchio (ad esempio una corretta pulizia).
- Interventi per danni causati dall'utilizzo di prodotti per la pulizia contenenti acidi, polveri abrasive, componenti aggressivi, ecc.
- Interventi per sbloccare o sostituire rubinetti gas a causa di ossidazioni derivanti da una cattiva pulizia e all'utilizzo di prodotti particolarmente dannosi non rimossi.

Per i casi sopra citati: sono da considerare a pagamento anche le spese di trasporto, qualora fosse necessario provvedere al ritiro dell'elettrodomestico per interventi di laboratorio.

Scadenza della Garanzia

Una volta scaduto il periodo di garanzia, i costi per eventuali interventi di riparazione saranno a carico del Consumatore.

La invitiamo a rivolgersi con fiducia alla nostra organizzazione di Centri Assistenza Tecnica Autorizzati dai quali potrà ottenere Servizi di qualità e ricambi originali.

SERVIZIO ASSISTENZA CLIENTI

ANOMALIE E MALFUNZIONAMENTI: a chi rivolgersi ?

Per qualsiasi necessità il Centro Assistenza Autorizzato è a Sua completa disposizione per fornirLe i chiarimenti necessari qualora il Suo prodotto presenti anomalie o mal funzionamenti.

Prima di rivolgersi al Servizio Assistenza Autorizzato, consigliamo vivamente di effettuare i controlli indicati nel libretto installazione uso e manutenzione.

MODELLO DEL PRODOTTO: Dove si trova?

Gentile Consumatore, è indispensabile che comunichi al Centro Assistenza Tecnica Autorizzato il modello del prodotto ed il numero di matricola che troverà direttamente sul prodotto (targhetta adesiva di colore argento) oppure sull'adesivo posto sul retro del libretto istruzioni dell'apparecchio. Lei potrà contribuire ad evitare trasferte inutili del tecnico, risparmiando oltretutto i relativi costi.

cod. 013L62

Merci d'avoir choisi ce produit. Veuillez lire attentivement le présent manuel d'utilisation avant d'installer et d'utiliser le groupe filtrant. Conservez-le pour pouvoir vous y référer ultérieurement.

MANUEL D'UTILISATION GROUPE FILTRANT

Cher client,

Suivre les instructions contenues dans le présent manuel d'utilisation garantit à l'appareil des performances optimales toute sa durée de vie.

ATTENTION !!

DANS CERTAINES CIRCONSTANCES, LES APPAREILS ÉLECTRIQUES PEUVENT ÊTRE UNE SOURCE DE DANGER.

*** NE PAS VÉRIFIER L'ÉTAT DES FILTRES LORSQUE LE GROUPE FILTRANT FONCTIONNE.**

*** NE PAS TOUCHER L'AMPOULE APRÈS UTILISATION DE L'APPAREIL.**

*** NE PAS DÉBRANCHER L'APPAREIL AVEC LES MAINS MOUILLÉES.**

*** ÉVITER LES FLAMMES NUES CAR ELLES PEUVENT ENDOMMAGER LES FILTRES ET DÉCLENCHER UN INCENDIE.**

*** SURVEILLER CONSTAMMENT LA FRITURE, CAR L'HUILE SURCHAUFFÉE PEUT S'ENFLAMMER.**

*** DÉBRANCHER LE GROUPE FILTRANT DE L'ALIMENTATION PRINCIPALE AVANT D'EFFECTUER TOUT TRAVAIL D'ENTRETIEN.**

*** NE PAS UTILISER CE PRODUIT À L'EXTÉRIEUR.**

*** CET APPAREIL PEUT ÊTRE UTILISÉ PAR DES ENFANTS ÂGÉS D'AU MOINS 8 ANS ET PAR DES PERSONNES AYANT DES CAPACITÉS PHYSIQUES, SENSORIELLES OU MENTALES RÉDUITES OU DÉNUÉES D'EXPÉRIENCE OU DE CONNAISSANCE, S'ILS (SI ELLES) SONT CORRECTEMENT SURVEILLÉ(E)S OU SI DES INSTRUCTIONS RELATIVES À L'UTILISATION DE L'APPAREIL EN TOUTE SÉCURITÉ LEUR ONT ÉTÉ DONNÉES ET SI LES RISQUES ENCOURUS ONT ÉTÉ APPRÉHENDÉS. LES ENFANTS NE DOIVENT PAS JOUER AVEC L'APPAREIL.**

LE NETTOYAGE ET L'ENTRETIEN PAR L'USAGER NE DOIVENT PAS ÊTRE EFFECTUÉS PAR DES ENFANTS SANS SURVEILLANCE.

*** UNE VENTILATION ADÉQUATE DE LA PIÈCE EST INDISPENSABLE LORSQUE LE GROUPE FILTRANT EST UTILISÉ EN MÊME TEMPS QUE DES APPAREILS QUI BRÛLENT DU GAZ OU D'AUTRES COMBUSTIBLES (NON APPLICABLE EN MODE RECYCLAGE).**

*** LE NON-RESPECT DES INSTRUCTIONS DE NETTOYAGE PEUT ENGENDRER UN RISQUE D'INCENDIE.**

*** ATTENTION : LES PARTIES ACCESSIBLES DE CET APPAREIL PEUVENT DEVENIR CHAUDES LORSQU'IL EST UTILISÉ AVEC DES APPAREILS DE CUISSON.**

ÉLIMINATION DE L'ANCIEN APPAREIL



CONFORMÉMENT À LA DIRECTIVE EUROPÉENNE 2012/19/UE ET À LA LÉGISLATION LOCALE CONCERNANT LES APPAREILS ÉLECTRIQUES ET ÉLECTRONIQUES USAGÉS, CET APPAREIL EST MARQUÉ DU SYMBOLE DE LA POUBELLE BARRÉE. CE MARQUAGE INDIQUE QUE L'APPAREIL NE DOIT PAS ÊTRE JETÉ AVEC LES AUTRES DÉCHETS MÉNAGERS APRÈS SON UTILISATION.

L'UTILISATEUR EST TENU DE LE REMETTRE À UNE DÉCHETTERIE COLLECTANT LES APPAREILS ÉLECTRIQUES ET ÉLECTRONIQUES USAGÉS. LES COLLECTEURS, Y COMPRIS LES POINTS DE COLLECTE LOCAUX, LES MAGASINS ET LES SERVICES DES AUTORITÉS LOCALES, PROPOSENT DES PROGRAMMES DE RECYCLAGE.

UNE MANIPULATION APPROPRIÉE DES PRODUITS ÉLECTRIQUES ET ÉLECTRONIQUES USAGÉS PERMET

D'ÉVITER LES RISQUES POUR L'ENVIRONNEMENT ET LA SANTÉ RÉSULTANT DE LA PRÉSENCE DE COMPOSANTS DANGEREUX ET DU STOCKAGE ET DU TRAITEMENT INAPPROPRIÉS DE CES PRODUITS.

SOMMAIRE

RECOMMANDATIONS ET SUGGESTIONS

CARACTÉRISTIQUES

INSTALLATION ET UTILISATION

FONCTIONNEMENT

ENTRETIEN

DÉPANNAGE

RECOMMANDATIONS ET SUGGESTIONS

INSTALLATION

- * Le fabricant ne sera pas tenu responsable pour tout dommage résultant de l'utilisation non appropriée du produit.
- * Lire le présent manuel d'utilisation avant d'installer et d'utiliser le groupe filtrant. Le conserver pour d'éventuelles consultations ultérieures.
- * Seul un technicien autorisé et expérimenté peut entreprendre les travaux d'installation et d'entretien.
- * Vérifier que le voltage du réseau correspond à celui indiqué sur la plaque signalétique fixée à l'intérieur du groupe filtrant.
- * Ne pas raccorder le groupe filtrant à des conduits d'échappement évacuant des fumées de combustion (chaudières, cheminées, etc.)
- * Si le groupe filtrant est utilisé conjointement à des appareils non électriques (par ex. installation au gaz), un niveau suffisant de ventilation doit être garanti dans la pièce de façon à empêcher le reflux des gaz d'échappement. La cuisine doit disposer d'une ouverture directe sur l'extérieur afin de garantir l'entrée d'air pur.

* La distance minimale d'installation du groupe filtrant est de 750 mm d'une table de cuisson au gaz est de 650 mm d'une table de cuisson électrique. Si les instructions d'installation d'une table de cuisson au gaz spécifient une distance plus élevée, elle doit être prise en compte.

REMARQUE : Deux personnes ou plus sont nécessaires pour installer ou déplacer cet appareil. Dans le cas contraire, un risque de blessure existe.

UTILISATION

* Ce groupe filtrant est conçu exclusivement pour un usage domestique, à savoir éliminer les vapeurs de cuisson.

* Ne jamais utiliser le groupe filtrant à des fins autres que celle pour laquelle il a été conçu.

* Ne jamais laisser de grandes flammes nues sous le groupe filtrant en marche.

* Ajuster l'intensité de la flamme pour la diriger uniquement sur le fond de la casserole ; en s'assurant que la flamme ne dépasse pas sur les côtés.

* La friteuse doit être constamment sous surveillance lors de son utilisation, car l'huile surchauffée peut s'enflammer.

* Le groupe filtrant ne doit pas être utilisé par des enfants ou toute personne qui n'est pas informée de son utilisation correcte.

ENTRETIEN

* Un entretien correct du groupe filtrant assure une bonne performance de l'appareil.

* Débrancher le groupe filtrant de l'alimentation principale avant d'effectuer tout travail d'entretien.

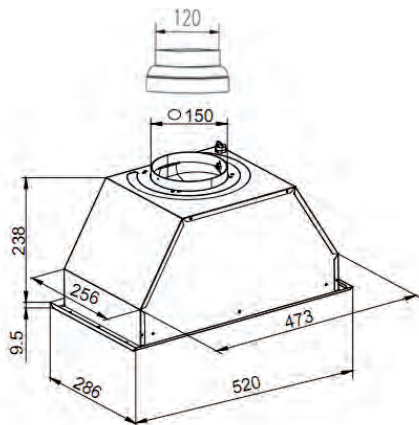
* Nettoyer et/ou remplacer le filtre à graisse en aluminium et le(s) filtre(s) à charbon actif après la période de temps recommandée.

* Nettoyer le groupe filtrant en utilisant un chiffon humide et un détergent liquide neutre.

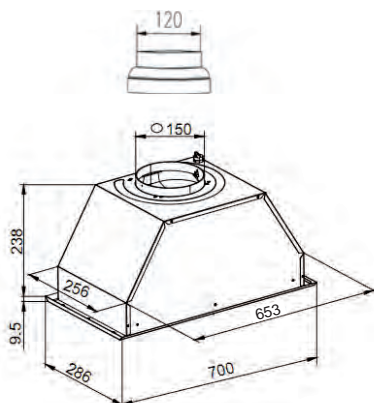
* **ÉLIMINATION :** Ne pas jeter ce produit avec les déchets ménagers. Le tri de ces ordures est nécessaire pour un traitement adapté.

CARACTÉRISTIQUES

DIMENSIONS



52cm



70cm

INSTALLATION ET UTILISATION

Remarque 1 : Si le groupe filtrant est en inox, retirer avec précaution le film de protection en plastique de toutes les surfaces extérieures avant l'installation finale.

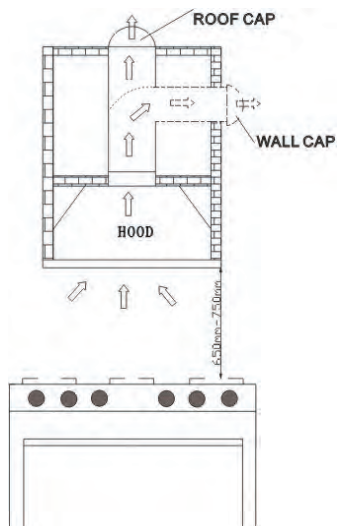
Remarque 2: Au moins deux personnes sont nécessaires pour installer le groupe filtrant.

DESCRIPTION / CONNEXIONS

Le groupe filtrant peut être installé en version évacuation ou recyclage.

Version évacuation

Le groupe filtrant aspire les vapeurs de cuisson chargées de fumées et d'odeurs à travers les filtres à graisses et les expulse à l'extérieur via le tuyau d'évacuation. Dans cette version les filtres à charbon actif ne sont pas nécessaires.



ATTENTION !!

Pour réduire le risque d'incendie, l'utilisation d'un conduit métallique est conseillée.

Ne pas utiliser de matériaux inflammables pour évacuer l'air.

1. Choisir où le conduit va passer entre le groupe filtrant et l'extérieur.
2. Un conduit droit et court assurera un meilleur fonctionnement du groupe filtrant.
3. Un conduit long, des coudes et autres transitions réduisent les performances de l'appareil. Il faut en utiliser le moins possible. Des conduits plus larges peuvent être nécessaires pour améliorer les performances des longs tuyaux.
4. Il est recommandé d'utiliser des conduits ronds de Ø150 mm, toutefois, un réducteur de Ø150 mm à Ø120 mm est fourni si l'installation nécessite un conduit de Ø 120 mm.
5. L'air ne doit pas être libéré dans un conduit qui est utilisé pour évacuer les fumées des appareils qui brûlent du gaz ou d'autres combustibles. Les réglementations en vigueur concernant l'évacuation de l'air doivent être respectées. Consulter les autorités locales et les codes du bâtiment pour connaître les exigences en matière de conduites d'évacuation.
6. Installer un capuchon de toit ou de mur. Raccorder le conduit en métal rond au capuchon et remonter jusqu'à l'emplacement du groupe.

Version recyclage

Le groupe filtrant aspire les vapeurs de cuisson chargées de fumées et d'odeurs à travers les filtres à graisse et les filtres à charbon actif et réinjecte de l'air pur dans la pièce. Pour une efficacité constante, le(s) filtre(s) à charbon actif doit(doivent) être remplacé(s) régulièrement.

Il faut choisir dès le début le type d'installation (recyclage ou évacuation). Pour une plus grande efficacité, nous vous recommandons d'installer le groupe filtrant en version évacuation.

Raccordement électrique

* Le câblage électrique doit être effectué par une personne qualifiée, conformément aux normes et standards en vigueur. **Mettre le système hors tension à l'entrée de service avant d'effectuer le câblage.**

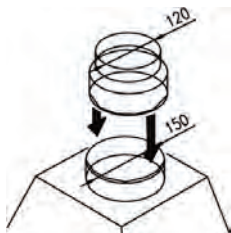
* Si le câble d'alimentation est endommagé, il doit être remplacé par le fabricant, un agent de service ou une autre personne tout aussi compétente afin d'éviter tout risque d'accident.

* Ne pas utiliser une prise ou une rallonge autre que celles fournies initialement avec le groupe filtrant.

INSTALLATION

Avant de commencer l'installation, pour mieux gérer le groupe filtrant, nous vous conseillons d'enlever le panneau inférieur.

1. Le groupe filtrant a été conçu pour être utilisé avec un conduit d'évacuation de Ø150 mm. Si un conduit d'évacuation de Ø120 mm doit être utilisé, le réducteur de la sortie d'air de Ø 120 mm est nécessaire.

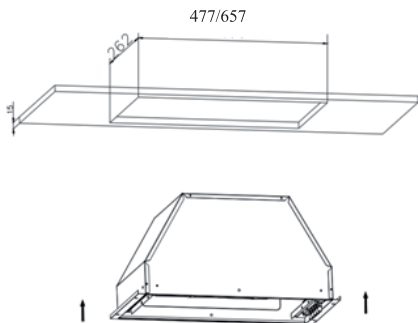


INSTALLATION VERSION ÉVACUATION

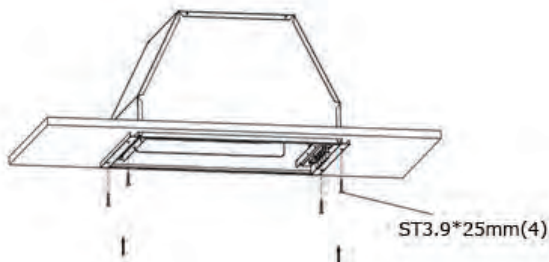
Avant de fixer l'appareil, le conduit en métal d'évacuation de l'air vers l'extérieur doit être installé. Utiliser un conduit d'évacuation avec : - la longueur minimum indispensable ; - le moins de coudes possible (angle maximum du coude: 90°) ; - le matériel certifié (selon les normes locales, de construction et d'incendie) ; et aussi lisse que possible à l'intérieur. Il est également recommandé d'éviter les changements drastiques dans la section transversale (diamètre recommandé : 150 mm).

Installation dans le meuble haut

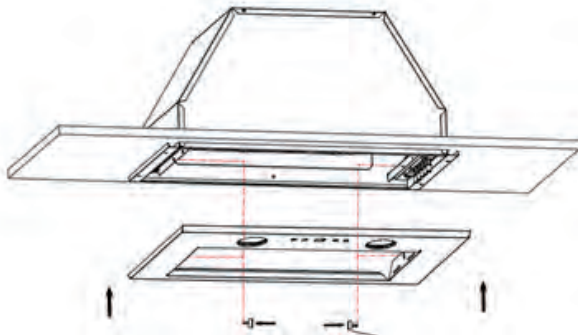
1. Avant de fixer le groupe filtrant, percer dans le meuble un trou de 165 mm de diamètre pour un conduit d'évacuation de $\varnothing 150$ mm ou de $\varnothing 135$ mm pour un conduit d'évacuation de $\varnothing 120$ mm.
2. Dans tous les cas, vérifier la position de la prise de courant et prévoir où le câble passera, puisqu'il faudra peut-être faire un trou dans le meuble pour l'accueillir.
3. Dévisser les 2 vis visibles situées sur les côtés intérieurs du cadre supportant les filtres et enlever le panneau inférieur. Les 4 trous de montage autour de l'unité sont alors accessibles.



4. Soulever le groupe filtrant et le placer dans l'ouverture du caisson. Sécuriser l'unité en utilisant les 4 longues vis de montage.



5. Replacer le panneau inférieur du groupe en vissant les 2 vis.



6. Visser les lampes LED dans les orifices prévus à cet effet dans le sens des aiguilles d'une montre.
7. Effectuer le raccordement électrique.

L'installation est à présent terminée.

Remarque:

- L'air évacué ne doit pas être aspiré dans un conduit qui est utilisé pour évacuer les émanations provenant d'appareils qui brûlent du gaz ou d'autres carburants.

- Si les instructions d'installation d'une table de cuisson au gaz spécifient une distance plus élevée, elle doit être prise en compte.

-Les réglementations concernant l'évacuation de l'air vicié doivent être respectées.

Vérifier auprès des autorités locales les codes de construction pour les équipements d'évacuation.

FONCTIONNEMENT

(1) COMMANDES PAR CURSEURS



Le groupe est commandé en utilisant les curseurs situés sur le panneau inférieur.

- Le curseur « éclairage » permet d'allumer et d'éteindre la lumière.
- Le curseur « ventilation » permet de régler le ventilateur sur les 3 vitesses:

0 - OFF

I - VITESSE MINIMUM

II - VITESSE INTERMÉDIAIRE

III - VITESSE MAXIMUM

(2) COMMANDES ÉLECTRONIQUES SANS BOOSTER



Le groupe est commandé en utilisant les commandes électroniques situées sur le panneau inférieur.

- La touche « on/off » permet d'allumer et d'éteindre le groupe.
- La touche « éclairage » permet d'allumer et d'éteindre la lumière.
- La touche « ventilation » permet de régler la soufflerie sur quatre vitesses.

F1- VITESSE MINIMUM

F2- VITESSE INTERMÉDIAIRE

F3- VITESSE MAXIMUM

- La touche « timer » permet de définir un laps de temps de 1 à 15 minutes pendant lequel le groupe fonctionnera avant de s'éteindre

automatiquement.

Appuyez sur la touche « timer » lorsque le moteur fonctionne. Par défaut le timer se règle sur 15 minutes. Ajustez-le en appuyant sur le bouton de la vitesse. Le moteur cessera de fonctionner automatiquement lorsque le temps sera écoulé.

(3) COMMANDES ÉLECTRONIQUES AVEC BOOSTER



Le groupe est commandé en utilisant les commandes électroniques situées sur le panneau inférieur.

- La touche « on/off » permet d'allumer et d'éteindre le groupe.
- La touche « éclairage » permet d'allumer et d'éteindre la lumière.
- La touche « ventilation » permet de régler la soufflerie sur quatre vitesses.

F1- VITESSE MINIMUM

F2- VITESSE INTERMÉDIAIRE

F3- VITESSE MAXIMUM

P- BOOSTER

Remarque: en sélectionnant la vitesse P-BOOSTER, le groupe filtrant fonctionnera à la vitesse la plus élevée pendant 5 minutes et passera automatiquement à la vitesse F3 une fois ce temps écoulé.

- La touche « timer » permet de définir un laps de temps de 1 à 15 minutes pendant lequel le groupe fonctionnera avant de s'éteindre automatiquement.

Appuyez sur la touche « timer » lorsque le moteur fonctionne. Par défaut le timer se règle sur 15 minutes. Ajustez-le en appuyant sur le bouton de la vitesse. Le moteur cessera de fonctionner automatiquement lorsque le temps sera écoulé.

ENTRETIEN

FILTRE À GRAISSE

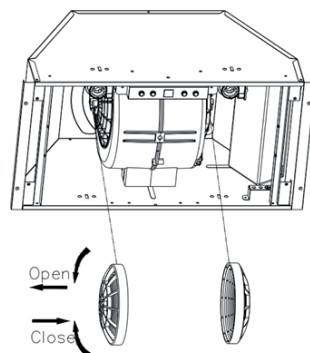
* Le filtre à graisse doit être nettoyé régulièrement (tous les deux mois d'utilisation, voire plus souvent en cas d'usage intensif). Utiliser une solution chaude à base de détergent.

* En fonction de sa taille, le filtre à graisse est lavable au lave-vaisselle. Après plusieurs lavages sa couleur peut changer. Cette décoloration d'entrave en rien son bon fonctionnement.

FILTRE(S) À CHARBON

Ces filtres ne sont pas lavables et doivent être remplacés tous les 3 mois d'utilisation, voire plus souvent en cas d'usage intensif.

1. Pour installer le(s) filtre(s) à charbon, tourner jusqu'à entendre le clic final.
2. Installer le panneau inférieur après avoir installé le(s) filtre(s) à charbon.
3. Pour retirer le(s) filtre(s) à charbon, retirer tout d'abord le panneau inférieur, puis le(s) filtre(s) à charbon en tournant dans le sens contraire des aiguilles d'une montre.



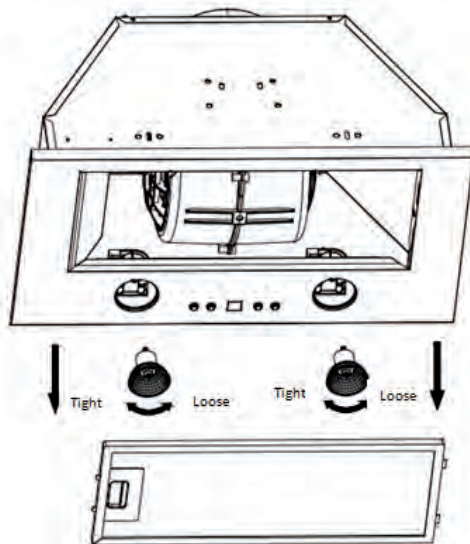
ÉCLAIRAGE

Ce groupe filtrant est équipé de deux SPOTS LED GU10 (AC 230V, 4W max. chacun)

AVERTISSEMENT: Toujours couper l'alimentation électrique avant d'effectuer une quelconque opération sur l'appareil.

Pour changer un spot LED :

1. Enlever le filtre en aluminium.
2. Dévisser le spot LED dans le sens inverse des aiguilles d'une montre, et remplacer avec le même type de LED.



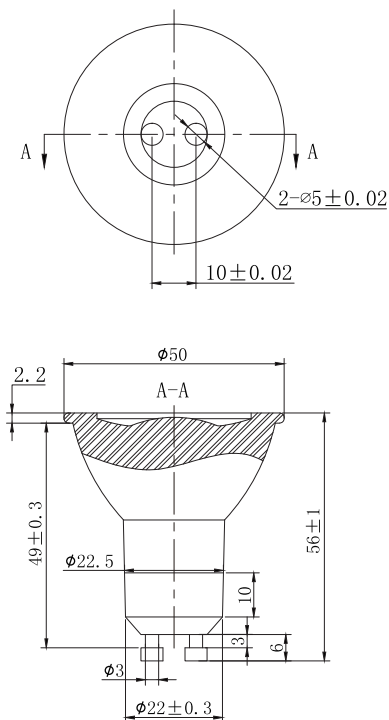
ATTENTION:

1. LA SURFACE ET LE CACHE DE LA LAMPE PEUVENT ÊTRE CHAUDS. FAIRE ATTENTION EN REMPLAÇANT LES LAMPES LED.
2. LES LAMPES LED PEUVENT ÊTRE CHAUDES. ATTENTION EN REMPLAÇANT LES LAMPES LED.

Nous conseillons d'utiliser uniquement des lampes avec les mêmes caractéristiques que celles remplacées.

Culot de lampe LED GU10

Code ILCOS selon norme 61231: DB-4-220/230-GU10-50 (DB est un module LED de type L selon ILCOS, 4 signifie que la puissance nominale est de 4W, 220/230 signifie plage de tension, Gu10 signifie type de culot de lampe, 50 signifie le diamètre maximum de la lampe) Les dessins ci-joints montrent les dimensions pour le remplacement. L'unité de longueur est le mm. Cette hotte nécessite une lampe led (AC 230V 50hz, 2X4W Max).



NETTOYAGE DU GROUPE FILTRANT

L'inox est l'un des matériaux les plus faciles à nettoyer. Un entretien occasionnel permet de préserver sa belle apparence.

Conseils de nettoyage:

- * De l'eau chaude avec un peu de savon ou détergent suffisent généralement.
- * Conclure chaque nettoyage en rinçant à l'eau claire. Essuyer avec un chiffon doux et propre pour éviter les traces d'eau.
- * En cas de décoloration ou de dépôts persistants, utiliser un nettoyant ménager qui n'attaque pas ou une poudre de polissage pour inox avec un peu d'eau et un chiffon doux.
- * Pour les dépôts tenaces, utiliser un tampon de récurage en plastique ou une brosse douce avec du nettoyant et de l'eau. Frotter légèrement dans le sens des lignes de polissage ou " grain" de la finition en inox. Éviter d'exercer une pression trop grande qui risque d'endommager la surface.
- * Ne pas laisser les dépôts longtemps sur la surface.
- * Ne pas utiliser de laine de fer ou de brosse en acier ordinaire. Des petits morceaux d'acier pourraient adhérer à la surface et provoquer de la rouille.
- * Ne pas laisser de solutions salines, désinfectants, javel ou agents de nettoyage longtemps en contact avec l'inox. De nombreux produits cités ci-dessus contiennent des produits chimiques qui peuvent endommager la surface. Rincer à l'eau après l'exposition et sécher avec un chiffon propre.

- * Les surfaces peintes doivent être nettoyées avec de l'eau chaude et du détergent doux uniquement.

DÉPANNAGE

Le groupe filtrant peut ne pas fonctionner ou fonctionner incorrectement. Avant d'appeler le service après-vente, éteindre l'appareil, débrancher l'alimentation électrique et se référer au présent guide pour déterminer le problème.

Si le dysfonctionnement persiste, contacter notre service après-vente et préciser la nature du problème, le modèle de l'appareil et son numéro de série (sur la plaque signalétique à l'intérieur du groupe filtrant)

États	Raisons	Solutions
Pas de réponse des lampes et du moteur	1. La fiche n'est pas dans la prise de courant. 2. Le cordon d'alimentation est endommagé.	1. S'assurer que la fiche est enfoncée correctement dans la prise de courant. 2. Remplacer le cordon d'alimentation s'il est endommagé.
	Le fusible sur le tableau général est endommagé.	Remplacer le fusible sur le tableau général.
	L'interrupteur est endommagé.	Réparer ou remplacer l'interrupteur.
La lampe ne fonctionne pas	La lampe est endommagée.	Remplacer la lampe endommagée.

<p>Le corps du groupe vibre violemment et est très bruyant</p>	<ol style="list-style-type: none"> 1. Le groupe n'a pas été installé conformément au processus d'installation décrit dans le présent manuel. 2. Vérifier si le joint de raccordement de chaque partie n'est pas endommagé. 	<p>S'assurer que le groupe a été installé conformément au présent manuel.</p>
<p>L'extraction d'air n'est pas performante</p>	<p>Vérifier si la distance entre le groupe filtrant et la table de cuisson n'est pas trop grande.</p>	<p>La distance idéale est de 65-75cm.</p>
	<p>S'assurer que la ventilation de la pièce est adéquate.</p>	<p>Ouvrir la porte et les fenêtres correctement. Améliorer l'environnement.</p>
	<p>Le conduit est endommagé.</p>	<p>Réparer ou remplacer le conduit endommagé.</p>
	<p>Filtre à graisse ou filtre(s) à charbon saturés.</p> <p>Sortie d'évacuation de l'air bouchée.</p>	<p>Remplacer ou nettoyer les filtres</p> <p>Nettoyer la sortie d'évacuation de l'air.</p>

