

STAND-ALONE PORTABLE SOUND BOX 300W  
with BLUETOOTH, USB, MICROSD & REMOTE  
CONTROL

ENCEINTE ACTIVE AUTONOME 300W  
avec BLUETOOTH, USB, microSD  
& TELECOMMANDE

Ref.

**PHANTOM**



# MANUAL

EN - INSTRUCTION MANUAL - p. 2

FR - MANUEL D'UTILISATION - p. 7

DE - BEDIENUNGSANLEITUNG - S. 12

NL - HANDLEIDING - p. 17

ES - MANUAL DE USO - p. 22



*Imported from China by LOTRONIC S.A.  
Avenue Zénobe Gramme 9  
B-1480 Saintes*

*©Copyright LOTRONIC 2022*

## STAND-ALONE ACTIVE BOX 300W WITH BLUETOOTH, USB, MICRO-SD & REMOTE CONTROL







### OPERATING INSTRUCTIONS

Congratulations to the purchase of your new speaker.

### WARNINGS



### EXPLANATION OF SIGNS

-  The triangle containing a lightning symbol is used to indicate whenever your health is at risk (due to electrocution, for example).
-  An exclamation mark in a triangle indicates particular risks in handling or operating the appliance.
-  UK CA Accordance with the requirements of UK standard
-  Class II protection without earth connection
-  The product is for indoor use only
-  This marking indicates that this product should not be disposed with other household wastes throughout the EU. To prevent possible harm to the environment or human health from uncontrolled waste disposal, recycle it responsibly to promote the sustainable reuse of material resources. To return your used device, please use the return and collection systems or contact the retailer where the product was purchased. They can take this product for environmental safe recycling.

***This device has been designed in accordance with the European EcoConception Directive.***

***The goal is to reduce the power consumption of devices. It is therefore equipped with an automatic standby system. After 10 minutes without any action or sound broadcast, it will automatically go into standby mode. To restart it, you will have to use its remote control or turn off the device with the on / off button and wait 1 minute before turning it on again.***

### IMPORTANT SAFETY INSTRUCTIONS AND DANGER WARNINGS

- Please read the manual carefully and keep it for future reference.
- The unit shall be connected to a power supply only of the type described.
- To reduce the risk of fire or electrical shock, do not expose this unit to rain or moisture.
- Unplug the unit from the wall socket when it is not to be used for a long period of time.
- Adequate care shall be taken so that foreign objects do not fall, or liquids are not spilled into the enclosure through openings.
- Do not remove the cover or back, as there are no user-serviceable parts inside.
- The apparatus shall not be exposed to dripping or splashing and that no objects filled with liquids, such as vases, shall be placed on the apparatus.
- Do not place on the apparatus as naked flame source, such as lighted candles.
- Do not use the unit in a tropical climate. Only for use in temperate climates.
- Please place the equipment on a level and stable platform. Never place the appliance on an unstable or movable surface. Persons could be injured or the appliance damaged by it falling down.
- A minimum distance of 0.5m around the unit must be kept to ensure sufficient ventilation and avoid overheating.
- All safety instructions and warnings must be adhered to. They are part of the manual and must be kept with the manual.
- Any guarantee claims are rendered invalid if damage occurs due to non-observance of these operating instructions. We assume no liability for any consequent damage.
- We assume no liability for personal injury or damage to property caused by incorrect handling or disrespect of the safety instructions. Any guarantee claims expires in such cases.
- Unauthorized conversions and/or modifications of the appliance are not permitted for safety and licensing reasons (CE).
- The appliance is approved for operation in dry, closed rooms only. Do not operate the device nearby water,

such as in bathrooms or nearby swimming pools.

- The appliance may not be exposed to extreme temperatures (< +5°C / > +35°C) in operation.
- The appliance may not be subject to strong vibrations or heavy mechanical strain.
- **DISCONNECT DEVICE:** Where the MAINS plug or an appliance coupler is used as the disconnect device, the disconnect device shall remain readily operable.

## CHARGING THE BATTERY

Connect the mains power plug to an AC outlet and the built-in battery will start charging. The CHARGE LED lights up in red. Once the battery is fully charged, the LED lights up in green.

For a longer battery life, it is recommended to disconnect the mains power cable after 10h max of recharging. If the battery is empty, please turn the speaker off and recharge for at least half an hour before using it again.

**PLEASE NOTE:** If the speaker has been switched into standby mode via the remote control, the built-in battery will **NOT** charge.

After 10 minutes of inactivity, the unit will switch automatically into standby mode.

## IMPORTANT NOTE ON LITHIUM-ION BATTERIES

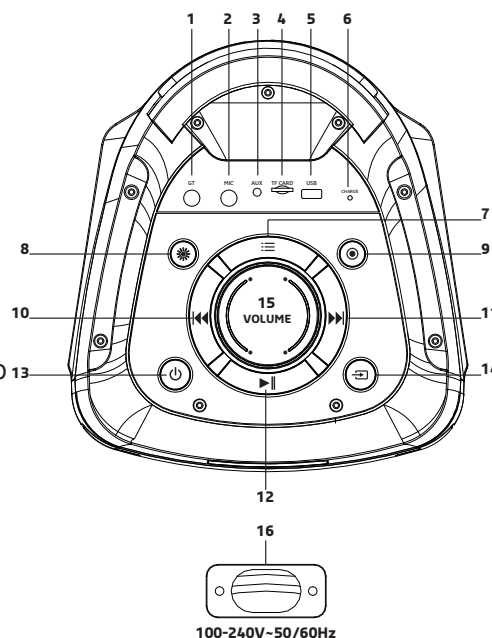
1. PRIOR to using the unit for the first time, please charge fully the battery without any interruption.
  2. Charge the battery regularly after each use. Don't wait until it is discharged!
  3. DON'T allow the battery to discharge completely, otherwise it will lose 20% of its capacity or even be totally damaged! If the voltage becomes too low, the internal circuits are not powered anymore and it will become impossible to recharge the battery!
  4. If you don't use the unit for a longer period of time, it is recommended to charge it at 40% of its capacity and check/charge it once per month.
- The life time of the battery depends on the observance of these recommendations.

**\*\* BATTERIES ARE NOT COVERED BY THE WARRANTY \*\***

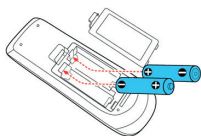
**WE CANNOT BE HELD RESPONSIBLE FOR DAMAGED BATTERIES FURTHER TO THE NON-OBSERVANCE OF THESE BASIC RULES.**

## DESCRIPTION OF THE TOP PANEL CONTROLS & CONNECTORS

1. Guitar input
2. MIC input
3. AUX in (3.5mm jack cable)
4. Micro SD card input
5. USB stick input
6. Charge LED
7. MENU: Treble/bass/mic volume/mic echo/guitar vol adjustment
8. LED light on/off
9. Record function
10. Previous song
11. Short press to select the next song
12. Short press to play/pause in USB/TF/Bluetooth mode. Long press to activate TWS function
13. Power on/off
14. Mode: Line in, USB/TF, Bluetooth,
15. Main volume control
16. Mains input (rear panel)



## INSTALLING THE BATTERIES IN THE REMOTE CONTROL



Remove the battery cover from the back of the remote control as shown and insert 2x AAA size batteries ensuring correct polarity

## RECOMMENDATIONS FOR BATTERIES



This symbol indicates that used batteries should not be disposed of with household waste but deposited correctly in accordance with your local regulations.

Batteries shall not be exposed to excessive heat such as sunshine, fire or the like.

When the internal batteries are not to be used, remove them to avoid damage caused by battery leakage or corrosion.

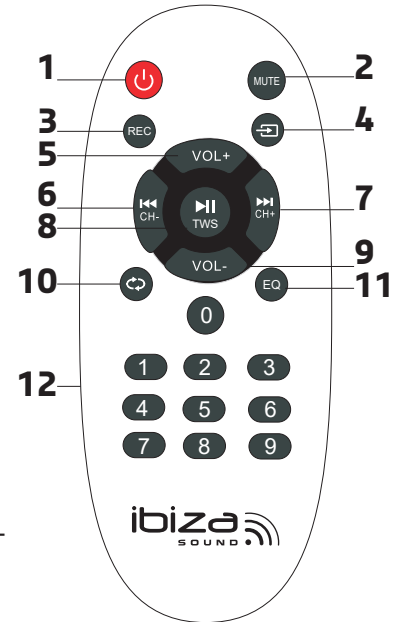
**ATTENTION:** Danger of explosion if battery is incorrectly placed. Only replace by the same or equivalent type.

**WARNING:** Do not swallow the battery. Danger of chemical burns. Keep new and old batteries out of the reach of children.

*If the battery compartment doesn't close properly, stop using the product and keep it out of the reach of children.  
If you are in doubt whether the batteries have been swallowed or introduced into any other part of the body, contact immediately a doctor.*

## REMOTE CONTROL

1. Power on / Stand by
2. Mutes the sound in any mode
3. Record function: In USB/TF mode, press "REC" button to record
4. Mode: Press shortly to skip to BT/LINE/USB/TF/ mode.
5. Main Volume +
6. Previous Song
7. Next song
8. Play / Pause
9. Main Volume -
10. Repeat one song, repeat all songs
11. EQ sound mode: pop, rock, jazz, classic, flat
12. Number buttons: In USB/TF mode enter directly the number of the desired song



## STANDBY MODE

Press the standby button on the remote control to switch the system into standby mode. Press again to switch the system on.

In standby mode, the battery does not recharge and the device has a minimum battery consumption.

When connecting the mains power supply, keep the power button pressed for 3 seconds and the display will turn on. If you press the POWER button shortly, the device will switch into standby mode and the power button illuminates in red.

## MODE BUTTON

Press the button 14 on the unit or 4 on the remote control and select BLUETOOTH (BLUE is displayed), USD/SD (only if the USB or TF inputs are connected), AUX (LINE is displayed) or (a frequency is displayed).

## VOLUME ADJUSTMENT

Turn the volume control 15 on the unit, or press the buttons 5 & 9 on the remote control to adjust the overall playback volume

Press the MENU button (14) and turn the VOLUME control (15) to adjust the treble / bass / mic volume / Mic echo / guitar volume.

## PRE-EQUALIZER

The system has a preset audio equalization system. Press the EQ button on the remote control repeatedly to select one of the 5 audio equalizations available and which best suits the current music.

## BASS / TREBLE ADJUSTMENT

Press the MENU button (7) on the unit once to adjust the treble and twice to adjust the bass.

## MIC ECHO EFFECT

Press the MENU button (7) on the unit 4 times and rotate the master volume control to adjust the microphone echo effect.

*Note: the echo effect only works on the microphone input.*

## MIC VOLUME

Press the MENU button (7) on the unit 3 times and rotate the master volume control to adjust the microphone sound level.

*Note: This function is only available when a wired microphone is connected (not provided)*

## GUITAR VOLUME

Press the MENU button (7) on the unit 5 times and rotate the master volume control to adjust the guitar volume.

*Note: This function is only available when a guitar is connected*

## LED LIGHT SWITCH

Press the light button (8) to cycle through the various light effects and switch the light off.

### VOICE PROMPT FUNCTION

Press and hold the MODE button (14) on the unit or (4) on the remote control to switch the voice prompt feature on and off.

### BLUETOOTH FUNCTION

Press MODE button on the unit or the remote control until BLUE is displayed and flashing.

1. Put the cell phone within 10 meters
2. Activate the BT search function on your cell phone to search for the BT device. Please refer to the user manual for details
3. Select PHANTOM in the list of found devices.  
Enter the password "0000" if required.
4. Shortly press the PLAY/PAUSE button ►|| to play or pause the music. Shortly press the "◀◀" or "▶▶" button to select the previous or next track.

### AUX MODE:

Press the MODE button on the unit or the remote control until LINE is selected. Play the music of the device connected to the AUX input via a 3.5mm Jack.

### USB / MICRO-SD MODE:

1. Insert a USB or TF device and press the MODE button to select "USB" or "TF" mode. The unit will automatically read and play the music in the connected device.
2. Press "►||" button shortly to pause or play.
3. Shortly press "◀◀" button to go to the previous song.
4. Shortly press "▶▶" button to go to the next song.
5. Press the Repeat button (10) on the remote control. The display will show "ONE" and the track will be played continuously. Press twice and the display will show "ALL". All songs on the USB/SD will be played continuously.

### TWS MODE

1. Turn on the 2 speakers (PHANTOM) and select Bluetooth mode.
2. Keep the the play/pause button pressed on one of the 2 speakers. You will hear a beep sound. This becomes the main speaker (left channel) which will automatically search and connect to the other speaker (right channel). After connection, you will hear a beep sound.
3. Turn on your Bluetooth device and put it close to the speaker (within 10 meters).
4. Select 'PHANTOM' in the list of found devices.
5. Now you can listen to the songs from your Bluetooth device in stereo sound.
6. In TWS mode, manipulations to the main speaker will affect the other speaker. E.g. volume adjustment, previous/next song, play/pause and power on/off.

*Note: If the speakers don't pair, switch them both off and repeat steps 1, 2 and 3.  
The TWS function only works between speakers with the same Bluetooth name*

### VOICE RECORDING

The unit can record voice from the microphone on a USB stick or microSD card. It will create automatically a folder called 'Record' on the USB stick where it will store all log files.

1. Switch on the unit
2. Insert a USB stick or a microSD card into the socket.
3. Select USB or SD mode via the MODE button on the unit or the remote control.
4. Press the REC button on the unit or the remote control to start recording. The display will show "REC" and time counter will start.
5. Press REC again to stop recording. The unit will play automatically the recorded file.

*Note: You can record only voice. During recording, some controls are deactivated; They will resume their normal function when recording is stopped.*

### BATTERY REMOVAL

**Warning: This operation should only be performed by trained staff! The appliance must not be plugged into the mains during battery removal.**

1. Remove the screws that secure the battery compartment on the rear panel
2. Remove the metal panel
3. Disconnect the battery and remove it
4. Replace the battery by a new one having exactly the same specifications

## TROUBLESHOOTING

Problem	Possible cause	Solution
No sound when power on	No input sound source Volume knob in the lowest position Voice prompt feature switched off No USB/SD inserted	Connect an AUX signal Adjust volume Turn on Voice prompt via MODE button Insert a USB/SD Card
Distortion of sound	Volume too loud Audio file error	Reduce volume Check and change the audio file
No sound from the Microphone	Microphone socket not fully plugged in Microphone switch is not on Microphone volume too low	Completely plug in the microphone socket Power on microphone Adjust microphone volume
No sound from the USB/SD card	Incompatible song format USB/SD Card not inserted properly	File format should be MP3 Insert USB/SD card properly
The CHARGE indicator flashes in red when the battery is low	Mains adaptor is not inserted properly	This does not affect the speaker system. The charge led is only an indication whether the unit is charging
The battery doesn't charge properly and works only during a very short time	Connect the mains lead to charge the battery Battery is not fully charged The battery is dead	Check if the mains lead is properly connected Extend charging time. Normally it takes 6-8 hours to fully charge the battery. Replace the battery by a new one with exactly the same specifications
Speaker makes noise	Wired Microphone too close to the speaker Wired Microphone is switched on but not in use Microphone volume too loud Mobile phone too close to the speaker Wireless equipment too close to the speaker	Keep the wired microphone 2m away from the speaker Turn off the microphone if not in use  Reduce the microphone volume Keep mobile away from the speaker during calls Keep the speaker away from other wireless equipment

## SPECIFICATIONS

Power supply.....	100-240V~50/60Hz
Consumption.....	40W
Consumption in stand-by mode.....	<0.5W
Woofer .....	2 x 6.5"/16cm
Power .....	300W
Built-in battery .....	Li-ion 7.4V= 5Ah
BT freq. band .....	2402-2480MHz
Max. RF emission power .....	6.01dBm
Impedance .....	4 ohms
Frequency response .....	60Hz - 16kHz
S/N ratio.....	>70dB
Dimensions .....	269 x 290 x 626mm
Weight.....	8.92kg

## ENCEINTE ACTIVE AUTONOME AVEC BLUETOOTH, USB, MICRO-SD & TELECOMMANDE






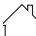
### INTRODUCTION

Nous vous remercions pour l'achat de cette enceinte.

### AVERTISSEMENTS



### EXPLICATION DES SYMBOLES

-  L'éclair dans le triangle attire l'attention sur un danger physique (due à une électrocution p.ex.).
-  Le point d'exclamation dans le triangle indique un risque dans la manipulation ou l'utilisation de l'appareil.
-  Ce symbole signifie que cet appareil ne doit être mis aux déchets ménagers dans aucun pays de la Communauté européenne afin d'éviter de nuire à l'environnement et à la santé humaine. Il convient d'en disposer d'une manière responsable afin de promouvoir la réutilisation des matériaux. Pour retourner votre appareil usagé, merci d'utiliser les systèmes de retours et de ramassage mis en place ou de contacter votre revendeur chez qui vous avez acheté l'appareil. Ils peuvent reprendre cet appareil pour un recyclage écologique.
-  En conformité avec les exigences de la norme CE
-  Appareil de classe II, double isolation sans mise à la terre
-  Utilisation uniquement à l'intérieur

**Cet appareil a été conçu en accord avec la directive Européenne d'EcoConception, L'objectif est de réduire la consommation électrique des appareils Il est donc équipé d'un système de mise en veille automatique**

**Au bout de 10mn aucune action ou diffusion sonore, il se mettra automatiquement en veille. Pour le redémarrer, il faudra utiliser votre télécommande ou alors éteindre l'appareil avec le bouton marche/arrêt et attendre 1mn avant de le rallumer.**

### CONSIGNES DE SÉCURITÉ IMPORTANTES

- Lire attentivement le mode d'emploi et le conserver pour référence ultérieure.
- Brancher l'appareil sur une prise secteur appropriée.
- Tenir à l'abri de la pluie et de l'humidité afin de réduire le risque d'un choc électrique ou d'un incendie.
- Débrancher l'appareil du secteur en cas de non-utilisation pour une durée prolongée.
- Prendre toutes les précautions qui s'imposent pour éviter que des corps étrangers ou des liquides pénètrent à l'intérieur du boîtier.
- Ne pas retirer le couvercle ou le panneau arrière. L'appareil ne contient aucune pièce remplaçable par l'utilisateur.
- Tenir à l'abri de flammes ouvertes telles que des bougies.
- Ne pas utiliser dans un climat tropical. Uniquement dans des climats tempérés.
- Veuillez placer l'appareil sur une surface plane et stable. Ne placez jamais l'appareil sur une surface instable ou mobile. Des personnes pourraient être blessées ou l'appareil endommagé par sa chute.
- Garder une distance minimale de 0,5m autour de l'appareil afin d'assurer une ventilation suffisante et éviter une surchauffe.
- Respecter toutes les consignes de sécurité et avertissements. Ils font partie du manuel et doivent être conservés avec le manuel.
- Nous déclinons toute responsabilité pour des dommages aux biens et aux personnes dus à une mauvaise manipulation ou le non-respect des consignes de sécurité. Le droit de garantie ne s'applique pas.
- Des modifications non-autorisées de l'appareil sont interdites pour des raisons de sécurité et de licence (CE).
- Ne pas exposer l'appareil à des températures extrêmes (<5°C / >35°C° pendant le fonctionnement
- Tenir à l'abri des vibrations fortes ou de fortes contraintes mécaniques.

**Dispositif de coupure du secteur :** Lorsque le cordon d'alimentation ou un coupleur d'appareil est utilisé comme dispositif de déconnexion, ce dispositif doit rester facilement accessible.

### CHARGER LA BATTERIE

Branchez la fiche d'alimentation secteur sur une prise secteur et la batterie intégrée commencera à se charger.

La LED CHARGE s'allume en rouge. Une fois la batterie complètement chargée, la LED s'allume en vert  
**ATTENTION:** Si l'enceinte est mise en mode veille via la télécommande, la batterie intégrée ne se charge **PAS**.  
 Après 10 minutes d'inactivité, l'enceinte commute automatiquement en mode veille.

**NOTE IMPORTANTE: PRODUITS AVEC DES BATTERIES AU LITHIUM**

1. **AVANT la première utilisation, chargez complètement la batterie.**
2. Rechargez la batterie régulièrement après chaque utilisation sans attendre qu'elle soit déchargée.
3. **NE JAMAIS laisser décharger complètement la batterie sous peine de perdre 20 % de sa capacité, voire sa perte totale!**

Si la tension devient trop faible, le circuit interne n'est plus alimenté et il sera impossible de recharger la batterie !

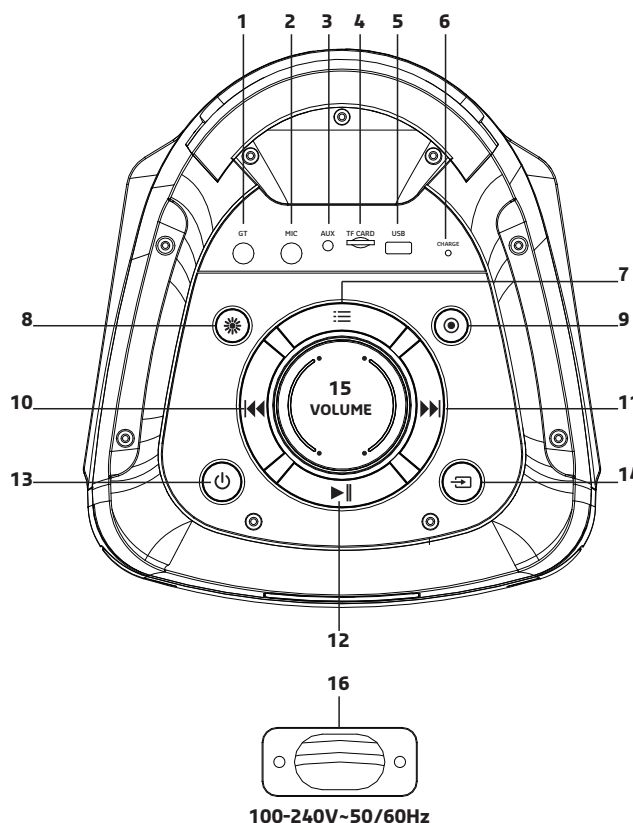
4. Si vous n'utilisez pas le produit pendant une durée prolongée, il est recommandé de charger la batterie à 40% et de la vérifier/charger une fois par mois.

**\*\* LES BATTERIES NE SONT PAS GARANTIES \*\***

***Nous déclinons toute responsabilité pour des batteries endommagées prématurément suite au non-respect de ces règles de base.***

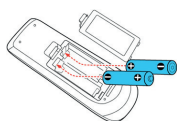
**DESCRIPTION DU DESSUS**

1. Entrée guitare
2. Entrée micro
3. Entrée AUX (câble jack 3,5 mm)
4. Entrée carte micro SD
5. Entrée USB
6. LED de charge
7. MENU : Réglage des Aigus/graves/volume du micro/écho du micro/volume de la guitare
8. Jeu de lumière à LED allumé/éteint
9. Fonction d'enregistrement
10. Chanson précédente
11. Appuyez brièvement pour sélectionner la chanson suivante
12. Appuyez brièvement pour lire/mettre en pause en mode USB/TF/Bluetooth. Appui long pour activer la fonction TWS
13. Marche / arrêt
14. Mode : entrée ligne, USB/TF, Bluetooth,
15. Contrôle du volume principal
16. Entrée secteur (panneau arrière)




**INSTALLATION DES PILES**

Retirez le couvercle du compartiment à piles au dos de la télécommande et insérez 2 piles AAA (LR3) en respectant la bonne polarité.



**RECOMMANDATIONS POUR LES PILES**

 Ce pictogramme indique que les piles et batteries usagées ne doivent pas être jetées avec les ordures ménagères, mais déposées dans des points de collecte séparés pour être recyclées. Tenir les piles à l'abri d'une chaleur excessive telle que le soleil, le feu ou similaires.

Lorsque les piles ne sont pas utilisées, retirez-les pour éviter les dommages causés par des fuites ou la corrosion de la pile.

**ATTENTION:** Danger d'explosion si la pile n'est pas remplacée correctement. Ne remplacer que par le même type ou un type équivalent.

**AVERTISSEMENT:** Ne pas ingérer la pile. Danger de brûlure chimique. Conserver les piles neuves et usées hors de portée des enfants.

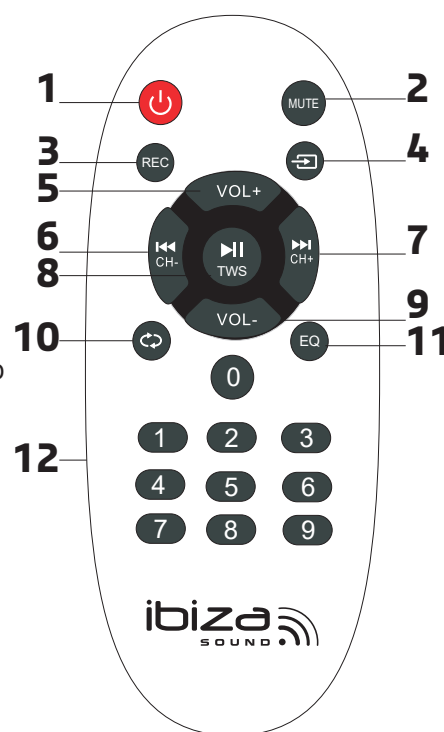
Si le compartiment à pile ne se ferme pas correctement, cesser d'utiliser le produit et tenir hors de portée des enfants.

En cas de doute concernant le fait que les piles pourraient avoir été avalées ou introduites dans une partie quelconque du corps, consulter immédiatement un médecin.



## TELECOMMANDE

1. Marche/Veille
2. Mute : coupe le son dans n'importe quel mode
3. Fonction d'enregistrement : en mode USB/TF, appuyez sur le bouton « REC » pour enregistrer
4. Mode : appuyez brièvement pour passer au mode BT/LINE/USB/TF.
5. Volume principal +
6. Chanson précédente
7. Prochaine chanson
8. Lecture / pause
9. Volume principal -
10. Répétez le titre en cours, répétez tous les titres
11. Mode sonore EQ : pop, rock, jazz, classiC, Flat
12. Touches numériques : en mode USB/TF, entrez directement le numéro de la chanson souhaitée



## MODE VEILLE

Appuyez sur le bouton (1) de la télécommande pour mettre le système en veille. Appuyez à nouveau pour allumer le système.

En mode veille, la batterie ne se recharge pas et l'appareil a une consommation de batterie minimale.

Lors de la connexion à l'alimentation secteur, maintenez le bouton d'alimentation enfoncé pendant 3 secondes et l'écran s'allumera. Si vous appuyez brièvement sur le bouton POWER, l'appareil passe en mode veille et le bouton d'alimentation s'allume en rouge.

## BOUTON MODE

Appuyez sur la touche 14 de l'appareil ou 4 de la télécommande et sélectionnez BLUETOOTH (BLUE s'affiche), USD/SD (uniquement si les entrées USB ou TF sont connectées), AUX (LINE s'affiche) ou (une fréquence s'affiche).

## REGLAGE DE VOLUME

Tournez le contrôle du volume 15 sur l'appareil, ou appuyez sur les boutons 5 et 9 de la télécommande pour régler le volume global de lecture

Appuyez sur le bouton MENU (14) et tournez la commande VOLUME (15) pour régler le volume des aigus / des graves / du micro / de l'écho du micro / du volume de la guitare.

## PRE-EQUALIZER

Le système dispose d'un système d'égalisation audio prédéfini. Appuyez plusieurs fois sur le bouton EQ de la télécommande pour sélectionner l'une des 5 égalisations audio disponibles et celle qui convient le mieux à la reproduction sonore actuelle.

## REGLAGES DES GRAVES ET AIGUS

Appuyez une fois sur le bouton MENU (7) de l'appareil pour régler les aigus et deux fois pour régler les graves.

## EFFET ECHO DU MICRO

Appuyez 4 fois sur le bouton MENU (7) de l'appareil et tournez le contrôle du volume principal pour régler l'effet d'écho du microphone.

*Note: l'effet d'écho ne fonctionne que sur l'entrée micro.*

## VOLUME DU MICRO

Appuyez 3 fois sur le bouton MENU (7) de l'appareil et tournez le contrôle du volume principal pour régler le niveau sonore du microphone.

*Note: cette fonction n'est disponible que lorsqu'un microphone filaire est connecté (non fourni)*

## VOLUME DE LA GUITARE

Appuyez 5 fois sur le bouton MENU (7) de l'appareil et tournez le contrôle du volume principal pour régler le volume de la guitare.

*Note: Cette fonction n'est disponible que lorsqu'une guitare est connectée*

## CONTROLE DE L'EFFET LUMINEUX

Appuyez sur le bouton lumière (8) pour faire défiler les différents effets lumineux et éteindre la lumière.

## ANNONCE VOCALE

Appuyez et maintenez enfoncé le bouton MODE (14) sur l'appareil ou (4) sur la télécommande pour activer et désactiver les annonces vocales.

## FONCTION BLUETOOTH

Appuyez sur le bouton MODE de l'appareil ou de la télécommande jusqu'à ce que BLUE s'affiche et clignote.

1. Placez le téléphone portable à moins de 10 mètres
2. Activez la fonction de recherche BT sur votre téléphone portable pour rechercher l'appareil BT. Veuillez vous référer au manuel d'utilisation pour plus de détails
3. Sélectionnez PHANTOM dans la liste des appareils trouvés.  
Saisissez le mot de passe « 0000 » si nécessaire.
4. Appuyez brièvement sur le bouton PLAY/PAUSE ►|| pour lire ou mettre en pause la musique. Appuyez brièvement sur le bouton « ◀◀ » ou « ▶▶ » pour sélectionner la piste précédente ou suivante.

## MODE AUX:

Appuyez sur le bouton MODE de l'appareil ou de la télécommande jusqu'à ce que LINE soit sélectionné. Jouez la musique de l'appareil connecté à l'entrée AUX via une prise jack 3,5 mm.

## MODE USB / MICRO-SD:

1. Insérez un périphérique USB ou TF et le bouton MODE pour sélectionner le mode « USB » ou « TF ». L'unité lira et jouera automatiquement la musique de l'appareil connecté.
2. Appuyez brièvement sur le bouton « ►|| » pour mettre en pause ou lire.
3. Appuyez brièvement sur le bouton « ◀◀ » pour passer à la chanson précédente.
4. Appuyez brièvement sur le bouton « ▶▶ » pour passer à la chanson suivante.
5. Appuyez sur le bouton Répéter (10) de la télécommande. L'écran affichera "ONE" et la chanson passera en continu. Appuyez deux fois et l'écran affichera "ALL". Toutes les chansons sur la clé USB/SD seront lues en continu.

## MODE TWS

1. Allumez les 2 haut-parleurs (PHANTOM) et sélectionnez le mode Bluetooth.
2. Maintenez le bouton lecture/pause enfoncé sur l'un des 2 haut-parleurs. Vous entendrez un bip. Cela devient le haut-parleur principal (canal gauche) qui recherchera et se connectera automatiquement à l'autre haut-parleur (canal droit). Après la connexion, vous entendrez un bip sonore.
3. Allumez votre appareil Bluetooth et placez-le à proximité de l'enceinte (à moins de 10 mètres).
4. Sélectionnez « PHANTOM » dans la liste des appareils trouvés.
5. Vous pouvez maintenant écouter les chansons de votre appareil Bluetooth en son stéréo.
6. En mode TWS, les manipulations sur le haut-parleur principal affecteront l'autre haut-parleur. Par exemple, réglage du volume, chanson précédente/suivante, lecture/pause et mise sous/hors tension.

*Note: Si les haut-parleurs ne se connectent pas, éteignez-les tous les deux et répétez les étapes 1, 2 et 3. La fonction TWS ne fonctionne qu'entre enceintes portant le même nom Bluetooth*

## ENREGISTREMENT VOCAL

L'appareil peut enregistrer la voix du microphone sur une clé USB ou une carte microSD. Il créera automatiquement un dossier appelé 'Record' sur la clé USB où il stockera tous les fichiers d'enregistrement.

1. Allumez l'appareil
2. Insérez une clé USB ou une carte microSD dans la prise.
3. Sélectionnez le mode USB ou SD via le bouton MODE de l'appareil ou de la télécommande.
4. Appuyez sur le bouton REC de l'appareil ou de la télécommande pour démarrer l'enregistrement. L'écran affichera "REC" et le compteur de temps démarrera.
5. Appuyez à nouveau sur REC pour arrêter l'enregistrement. L'appareil lit automatiquement le fichier enregistré.

*Note: Vous ne pouvez enregistrer que la voix. Pendant l'enregistrement, certaines commandes sont désactivées. Elles reprendront leur fonction normale lorsque l'enregistrement sera arrêté.*

## RETRAIT DE LA BATTERIE

**Attention : Cette opération ne doit être effectuée que par du personnel formé ! L'appareil ne doit pas être branché sur le secteur pendant le retrait de la batterie.**

1. Retirez les vis qui ferment le compartiment à batterie sur le panneau arrière
2. Retirez le panneau métallique
3. Débranchez la batterie et la retirer
4. Remplacez la batterie par une neuve ayant exactement les mêmes caractéristiques

**DIAGNOSTIC DE DEFAILLANCE**

<b>Problème</b>	<b>Cause possible</b>	<b>Solution</b>
Absence de son lors de la mise sous tension	Pas de source d'entrée Volume complètement baissé Annonce vocale désactivée USB/SD n'est pas branché	Branchez un signal de niveau ligne Réglez le volume Activez la fonction annonce vocale Insérez une clé USB/ carte SD
Distorsion du son	Volume trop fort Erreur du fichier audio	Baissez le volume Vérifiez le fichier audio et choisissez un autre
Pas de son du Microphone	Microphone mal branché Microphone n'est pas sous tension Le volume du micro est réglé au minimum	Branchez fermement le micro Mettez le micro sous tension Réglez le volume du microphone
Pas de son de l'entrée USB/SD	Format non compatible La clé USB/carte SD n'a pas été correctement insérée	La musique doit être au format MP3 Insérez correctement la clé USB/carte SD
L'indicateur CHARGE clignote en rouge lorsque la batterie est faible	L'adaptateur secteur n'est pas correctement branché	Cela n'affecte pas le système sono. Le voyant de charge indique uniquement si l'appareil est en charge
La batterie ne se charge pas correctement et ne fonctionne que pendant très peu de temps	Branchez le cordon d'alimentation pour charger la batterie La batterie n'est pas complètement chargée La batterie est morte	Vérifiez si le cordon d'alimentation est correctement connecté Prolongez le temps de charge. Normalement, il faut 6 à 8 heures pour charger complètement la batterie. Remplacez la batterie par une nouvelle avec exactement les mêmes spécifications
Bruits parasites dans le haut-parleur	Microphone trop proche du haut-parleur Micro allumé mais pas utilisé Le volume micro est trop fort Téléphone portable trop près du haut-parleur Trop près d'un équipement qui provoque des interférences	Gardez le microphone à 2 m du haut-parleur Éteignez le microphone s'il n'est pas utilisé Réduire le volume du micro Gardez le mobile loin du haut-parleur pendant les appels Éloignez l'enceinte des autres équipements sans fil

**CARACTERISTIQUES TECHNIQUES**

Alimentation .....	100-240V~50/60Hz
Consommation .....	40W
Consommation en mode veille.....	<0,5W
Woofers .....	2 x 6,5"/16 cm
Puissance .....	300W
Batterie intégrée.....	Li-ion 7.4V= 5Ah
Bande de fréq. BT .....	2402-2480MHz
Puissance d'émission RF maximale .....	6.01dBm
Impédance .....	4 ohms
Bande passante .....	60 Hz - 16 kHz
Rapport S/B .....	>70dB
Dimensions .....	269 x 290 x 626 mm
Poids .....	8.92kg

## AKKUBETRIEBENE PARTY BOX 2X 6.5"/16CM - 300W MIT ZWEI LED LICHTEFFEKTEN, BLUETOOTH, USB, MICROSD UND FERNBEDIENUNG

Bitte lesen Sie vor der ersten Inbetriebnahme sorgfältig die Anleitung durch und behalten Sie sie für spätere Bezugnahme auf.

### WARNUNG



### ZEICHENERKLÄRUNG



Der Blitz im Dreieck weist auf ein Gesundheitsrisiko hin (z.B. Stromschlag).



Das Ausrufezeichen im Dreieck weist auf besondere Gefahren beim Umgang oder Betrieb des Geräts hin.



Entspricht den Richtlinien der CE



Schutzklasse II, doppelte Isolierung ohne Erdung



Nur für Innengebrauch

Dieses Gerät wurde gemäß der europäischen EcoConception-Richtlinie entwickelt.

Ziel ist es, den Stromverbrauch von Geräten zu reduzieren. Es ist daher mit einem automatischen Standby-System ausgestattet. Nach 10 Minuten ohne Aktion oder Tonübertragung wechselt es automatisch in den Standby-Modus.

Um es neu zu starten, müssen Sie die Fernbedienung verwenden oder das Gerät mit der Ein- / Aus-Taste ausschalten und 1 Minute warten, bevor Sie es wieder einschalten.

### WICHTIGE SICHERHEITS- UND GEFAHRENHINWEISE

- Aus Sicherheitsgründen darf das Gerät nicht verändert oder umgebaut werden (CE).
- Das Gerät darf nur in trockenen, geschlossenen Räumen benutzt werden. Nicht in Wassernähe wie Badezimmer oder am Swimmingpool benutzen.
- Das Gerät und die Batterien vor extremen Temperaturen schützen ( $< +5^{\circ}\text{C}$  /  $> +35^{\circ}\text{C}$ )
- Das Gerät vor starken Erschütterungen und schwerer mechanischer Belastung schützen.
- Das Gerät vor starker Feuchtigkeit schützen (z.B. vor Tropf- bzw. Sprühwasser)
- Keine mit Flüssigkeit gefüllten Behälter wie Gläser oder Vasen auf oder direkt neben das Gerät stellen. Sie können umfallen und Wasser kann ins Gerät dringen. Niemals Flüssigkeiten über dem Gerät einschenken. Keine Kleinteile wie Münzen oder Briefklammern aufs Gerät legen. Sie können ins Gehäuse dringen. Es besteht Feuer- und Stromschlaggefahr! Falls doch einmal Flüssigkeiten oder Gegenstände ins Gerät dringen sollten, ziehen Sie sofort den Netzstecker ab und benachrichtigen Sie einen Fachmann
- Das Gerät nur in gemäßigten Klimazonen, nicht in tropischer Umgebung benutzen.
- Bitte stellen Sie das Gerät auf eine ebene und stabile Fläche. Stellen Sie das Gerät niemals auf eine instabile oder bewegliche Oberfläche. Personen könnten verletzt oder das Gerät durch Herunterfallen beschädigt werden.
- Defekte Kabel nur von einem Fachmann ersetzen lassen. Stromschlaggefahr!
- Wenn Sie sich über den richtigen Anschluss nicht im Klaren sind oder wenn Fragen auftreten, die nicht von der Anleitung beantwortet wurden, wenden Sie sich bitte an einen Fachmann.
- **NETZTRENNUNGSVORRICHTUNG:** Wenn zum Abschalten vom Netz der Netzstecker oder eine Steckdose benutzt werden, muss diese jederzeit leicht zugänglich sein.

### AKKU AUFLADEN

Schließen Sie den Netzstecker an eine Netzsteckdose an und der eingebaute Akku wird geladen. Die CHARGE-LED leuchtet rot. Sobald der Akku vollständig geladen ist, leuchtet die LED grün.

Für eine längere Batterielebensdauer wird empfohlen, das Netzkabel nach maximal 10 Stunden Aufladung zu trennen.

Wenn der Akku leer ist, schalten Sie den Lautsprecher bitte aus und laden Sie ihn mindestens eine halbe Stunde

lang auf, bevor Sie ihn wieder verwenden.

**BITTE BEACHTEN:** Wenn der Lautsprecher über die Fernbedienung in den Standby-Modus geschaltet wurde, wird der eingebaute Akku NICHT geladen.

Nach 10 Minuten Inaktivität schaltet das Gerät automatisch in den Standby-Modus.

## WICHTIGER HINWEIS FÜR GERÄTE MIT LITHIUM-ION-BATTERIEN

1. VOR der ersten Inbetriebnahme bitte die Batterie vollständig aufladen.
2. Nach jedem Gebrauch die Batterie aufladen. Nicht warten bis die Batterie entladen ist!
3. NIEMALS die Batterie vollständig entladen. Dadurch verliert sie 20% ihrer Kapazität und kann sogar unwiderruflichen Schaden nehmen! Unter einem gewissen Spannungspegel werden die Schaltungen nicht mehr versorgt und die Batterie kann dann gar nicht mehr aufgeladen werden.
4. Bei längerem Nichtgebrauch sollte die Batterie auf 40% ihrer Kapazität aufgeladen und einmal im Monat geprüft bzw. nachgeladen werden.

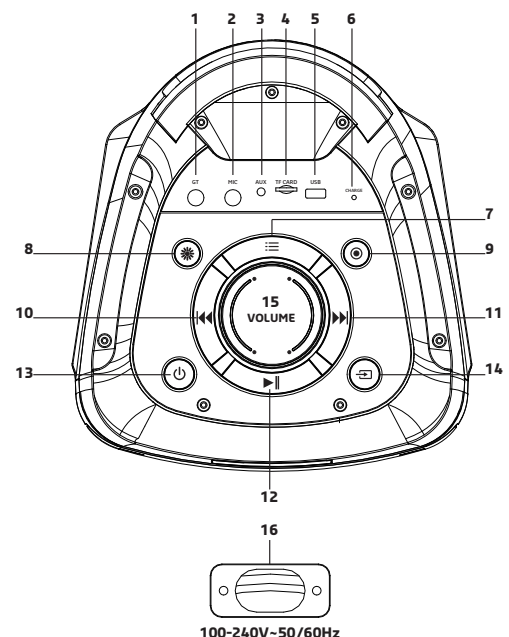
**BITTE BEFOLGEN SIE DIESE HINWEISE, UM DIE BATTERIE LANGE IN GUTEM ZUSTAND ZU ERHALTEN.**

**\*\* BATTERIEN SIND VOM GARANTIEANSPRUCH AUSGESCHLOSSEN \*\***

**WIR ÜBERNEHMEN KEINE HAFTUNG FÜR BATTERIEN, DIE DURCH DIE NICHTBEACHTUNG DIESER GRUNDREGELN SCHADEN GENOMMEN HABEN.**

## BESCHREIBUNG DER BEDIENELEMENTE UND ANSCHLÜSSE AUF DER OBERSEITE

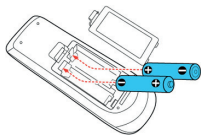
1. Gitarreneingang
2. MIC-Eingang
3. AUX-Eingang (3,5-mm-Klinkenkabel)
4. Eingang für Micro-SD-Karte
5. USB-Stick-Eingang
6. Lade-LED
7. MENU: Höhen/Bass/Mikrofonlautstärke/Mikrofonecho/Gitarrenlautstärke einstellen
8. LED-Beleuchtung an/aus
9. Aufnahmefunktion
10. Vorheriges Lied
11. Kurz drücken, um das nächste Lied auszuwählen
12. Kurz drücken, um im USB/TF/Bluetooth-Modus abzuspielen/anzuhalten. Lange drücken, um die TWS-Funktion zu aktivieren
13. Einschalten / Ausschalten
14. Modus: Line-In, USB/TF, Bluetooth,
15. Hauptlautstärkeregler
16. Netzeingang (Rückseite)



100-240V-50/60Hz

## EINSETZEN DER BATTERIEN IN DIE FERNBEDIENUNG

Nehmen Sie den Batteriefachdeckel wie abgebildet von der Rückseite der Fernbedienung ab und setzen Sie 2x AAA-Batterien polungsrichtig ein.



## HINWEISE FÜR BATTERIEN

Dieses Symbol weist darauf hin, dass verbrauchte Batterien und Akkus nicht mit dem Hausmüll entsorgt werden dürfen, sondern zu separaten Sammelstellen für das Recycling gebracht werden müssen. Akkus und Batterien niemals Hitze, Sonne, Feuer u.ä. aussetzen.

Bei längerem Nichtgebrauch, Akkus bzw. Batterien entfernen, um Schäden durch Auslaufen zu vermeiden.

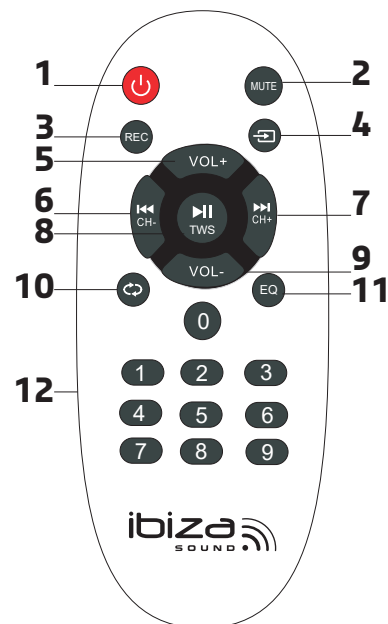
**ACHTUNG:** Bei falsch eingesetzter Batterie besteht Explosionsgefahr. Batterie nur durch eine gleichwertige ersetzen.

## WARNUNGEN IM UMGANG MIT BATTERIEN

Nicht die Batterie verschlucken. Es besteht die Gefahr von chemischen Verbrennungen. Wenn Sie Zweifel haben, ob die Batterie verschluckt oder in irgendein anderes Körperteil eingeführt wurde, rufen Sie sofort ärztliche Hilfe. Alte und neue Batterie von Kindern fernhalten. Wenn das Batteriefach nicht richtig schließt, darf das Gerät nicht mehr benutzt und muss außerhalb der Reichweite von Kindern aufbewahrt werden.

## FERNBEDIENUNG

1. Einschalten / Standby
2. Schaltet den Ton in jedem Modus stumm
3. Aufnahme-funktion: Drücken Sie im USB/TF-Modus die Taste „REC“, um aufzunehmen
4. Modus: Kurz drücken, um BT/LINE/USB/TF/-Modus zu wählen.
5. Hauptlautstärke +
6. Vorheriges Lied
7. Nächstes Lied
8. Spielpause
9. Hauptlautstärke -
10. Aktuelles Lied wiederholen, alle Lieder wiederholen
11. EQ-Soundmodus: Pop, Rock, Jazz, Klassik, Flat
12. Zifferntasten: Geben Sie im USB/TF-Modus direkt die Nummer des gewünschten Songs ein



## STANDBY MODUS

Drücken Sie die Standby-Taste auf der Fernbedienung, um das System in den Standby-Modus zu schalten. Drücken Sie erneut, um das System einzuschalten.

Im Standby-Modus lädt sich der Akku nicht auf und das Gerät hat einen minimalen Akkuverbrauch.

Halten Sie beim Anschließen der Netzstromversorgung die Power-Taste 3 Sekunden lang gedrückt und das Display schaltet sich ein. Durch kurzes Drücken der POWER-Taste wechselt das Gerät in den Standby-Modus und die Power-Taste leuchtet rot.

## MODE TASTE

Drücken Sie die Taste 14 am Gerät oder 4 auf der Fernbedienung und wählen Sie BLUETOOTH (BLUE wird angezeigt), USD/SD (nur wenn die USB- oder TF-Eingänge angeschlossen sind), AUX (LINE wird angezeigt) oder (eine Frequenz wird angezeigt).

## LAUTSTÄRKEEINSTELLUNG

Drehen Sie den Lautstärkeregler 15 am Gerät oder drücken Sie die Tasten 5 & 9 auf der Fernbedienung, um die Gesamtwiedergabelautstärke einzustellen

Drücken Sie die MENU-Taste (14) und drehen Sie den VOLUME-Regler (15), um die Höhen / Bässe / Mikrofonlautstärke / Mikrofonecho / Gitarrenlautstärke einzustellen.

## PRE-EQUALIZER

Das System verfügt über einen internen Equalizer. Drücken Sie wiederholt die EQ-Taste auf der Fernbedienung, um eine der 5 verfügbaren Audio-Equalizer auszuwählen, die am besten zur aktuellen Tonwiedergabe passt.

## BASS / TREBLE EINSTELLUNG

Drücken Sie die MENU-Taste (7) am Gerät einmal, um die Höhen einzustellen, und zweimal, um die Bässe einzustellen.

## MIKROFONECHOEFFEKT

Drücken Sie die MENU-Taste (7) am Gerät 4 Mal und drehen Sie den Master-Lautstärkeregler, um den Mikrofon-Echoeffekt einzustellen.

*Hinweis: Der Echoeffekt funktioniert nur mit dem Mikrofoneingang.*

## MIKROFONLAUTSTÄRKE

Drücken Sie dreimal die MENU-Taste (7) am Gerät und drehen Sie den Master-Lautstärkeregler, um die Mikrofonlautstärke einzustellen.

*Hinweis: Diese Funktion ist nur verfügbar, wenn ein Mikrofon angeschlossen ist (nicht im Lieferumfang enthalten)*

## LAUTSTÄRKEEINSTELLUNG DER GITARRE

Drücken Sie die MENU-Taste (7) am Gerät fünfmal und drehen Sie den Master-Lautstärkeregler, um die Gitarrenlautstärke einzustellen.

*Hinweis: Diese Funktion ist nur verfügbar, wenn eine Gitarre angeschlossen ist*

## LED BELEUCHTUNG

Drücken Sie die Lichttaste (8), um die verschiedenen Lichteffekte zu wählen und das Licht auszuschalten.

### ANSAGEFUNKTION

Halten Sie die MODE-Taste (14) am Gerät oder (4) auf der Fernbedienung gedrückt, um die Sprachansagefunktion ein- und auszuschalten.

### BLUETOOTH FUNKTION

Drücken Sie die MODE-Taste am Gerät oder auf der Fernbedienung, bis BLUE angezeigt wird und blinkt.

1. Das Smartphone muss sich in der Nähe der Box befinden.
2. Aktivieren Sie die BT-Suchfunktion Ihres Mobiltelefons, um nach dem Gerät zu suchen. Einzelheiten entnehmen Sie bitte der Bedienungsanleitung
3. Wählen Sie PHANTOM in der Liste der gefundenen Geräte aus. Geben Sie bei Bedarf das Passwort "0000" ein.
4. Drücken Sie kurz die PLAY/PAUSE-Taste ►||, um die Musik abzuspielen oder anzuhalten. Drücken Sie kurz die Taste „◀“ oder „▶“, um den vorherigen oder nächsten Titel auszuwählen.

### AUX MODUS:

Drücken Sie die MODE-Taste am Gerät oder auf der Fernbedienung, bis LINE ausgewählt ist. Spielen Sie die Musik des am AUX-Eingang angeschlossenen Geräts über eine 3,5-mm-Klinke ab.

### USB / MICRO-SD MODUS:

1. Stecken Sie ein USB- oder TF-Gerät ein und drücken Sie die MODE-Taste, um den „USB“- oder „TF“-Modus auszuwählen. Das Gerät liest automatisch die Musik des angeschlossenen Geräts und spielt sie ab.
2. Drücken Sie kurz die Taste „►||“, um zu pausieren oder abzuspielen.
3. Drücken Sie kurz die Taste „◀“, um zum vorherigen Song zu gelangen.
4. Drücken Sie kurz die Taste „▶“, um zum nächsten Lied zu wechseln.
5. Drücken Sie die Repeat-Taste (10) auf der Fernbedienung. Das Display zeigt "ONE" an und der Titel wird kontinuierlich abgespielt. Drücken Sie zweimal und das Display zeigt "ALL" an. Alle Songs auf dem USB/SD werden kontinuierlich abgespielt.

### TWS MODUS

1. Schalten Sie die 2 Lautsprecher (PHANTOM) ein und wählen Sie den Bluetooth-Modus.
2. Halten Sie die Play/Pause-Taste an einem der 2 Lautsprecher gedrückt. Sie hören einen Piepton. Dies wird der Hauptlautsprecher (linker Kanal), der automatisch den anderen Lautsprecher (rechter Kanal) sucht und sich mit ihm verbindet. Nach der Verbindung hören Sie einen Piepton.
3. Schalten Sie Ihr Bluetooth-Gerät ein und stellen Sie es in die Nähe des Lautsprechers (innerhalb von 10 Metern).
4. Wählen Sie 'PHANTOM' in der Liste der gefundenen Geräte aus.
5. Jetzt können Sie die Songs von Ihrem Bluetooth-Gerät in Stereoton anhören.
6. Im TWS-Modus wirken sich Einstellungen am Hauptlautsprecher auf den anderen Lautsprecher aus. Z.B. Lautstärkeregelung, vorheriges/nächstes Lied, Wiedergabe/Pause und Ein-/Ausschalten.

*Hinweis: Wenn die Lautsprecher nicht gekoppelt werden, schalten Sie beide aus und wiederholen Sie die Schritte 1, 2 und 3. Die TWS-Funktion funktioniert nur zwischen Lautsprechern mit demselben Bluetooth-Namen*

### AUFNAHME (REC)

Das Gerät kann Stimme vom Mikrofon auf einem USB-Stick oder einer microSD-Karte aufnehmen. Es erstellt automatisch einen Ordner namens 'Record' auf dem USB-Stick, in dem alle Dateien gespeichert werden.

1. Gerät einschalten
2. Stecken Sie einen USB-Stick oder eine microSD-Karte in die Buchse.
3. Wählen Sie den USB- oder SD-Modus über die MODE-Taste am Gerät oder auf der Fernbedienung.
4. Drücken Sie die REC-Taste am Gerät oder auf der Fernbedienung, um die Aufnahme zu starten. Das Display zeigt "REC" an und der Zeitähler wird gestartet.
5. Drücken Sie erneut REC, um die Aufnahme zu stoppen. Das Gerät spielt die aufgenommene Datei automatisch ab.

*Hinweis: Sie können nur Stimme aufnehmen. Während der Aufnahme sind einige Bedienelemente deaktiviert; sie nehmen ihre normale Funktion wieder auf, wenn die Aufnahme gestoppt wird.*

### AUSBAUEN DES AKKUS

**Achtung: Dieser Vorgang darf nur von geschultem Personal durchgeführt werden! Das Gerät muss während der Batterieentnahme vom Stromnetz abgekoppelt sein.**

1. Entfernen Sie die Schrauben an der Rückseite, um an den Akkufach zu gelangen.
2. Entfernen Sie die Metallplatte
3. Akku abkoppeln und herausnehmen
4. Ersetzen Sie den Akku durch einen neuen mit genau den gleichen Spezifikationen

## FEHLERDIAGNOSE

Problem	Mögliche Ursache	Lösung
Kein Ton beim Einschalten	Keine Eingangsquelle Lautstärke zu schwach eingestellt Ansagefunktion ausgeschaltet Kein USB/SD Medium angeschlossen	Line-Signal anschließen Lautstärke einstellen Ansagefunktion mit MODE Taste aktivieren USB/SD Medium anschließen
Verzerrter Klang	Lautstärke zu hoch Beschädigte Audiodatei	Lautstärke mindern Audiodatei prüfen und wechseln
Kein Ton vom Mikrofon	Mikrofon nicht gut angeschlossen Mikrofon nicht eingeschaltet Mikrofonlautstärke ganz heruntergefahren	Mikrofonbuchse fest einstecken Mikrofon einschalten Mikrofonlautstärke erhöhen
Kein Ton vom USB/SD Medium	Falsches Musikdateiformat USB/SD Medium nicht richtig eingesteckt	Musikdateien sollten im MP3 Format sein USB/SD Medium fest einstecken
Die CHARGE-Anzeige blinkt rot, wenn der Akku schwach ist	Netzteil ist nicht richtig eingesteckt	Dies hat keinen Einfluss auf das Lautsprechersystem. Die Lade-LED ist nur ein Hinweis darauf, ob der Akku geladen wird
Der Akku lädt nicht richtig und funktioniert nur sehr kurze Zeit	Schließen Sie das Netzkabel an, um den Akku aufzuladen Akku ist nicht vollständig geladen Die Batterie ist leer	Prüfen Sie, ob das Netzkabel richtig angeschlossen ist Ladezeit verlängern. Normalerweise dauert es 6-8 Stunden, um den Akku vollständig aufzuladen. Ersetzen Sie die Batterie durch eine neue mit genau den gleichen Spezifikationen
Störgeräusche im Lautsprecher	Mikrofon zu dicht am Lautsprecher Mikrofon ist eingeschaltet, aber nicht in Betrieb Mikrofon zu laut eingestellt Handy zu dicht am Lautsprecher Störgeräusche verursachende Geräte befinden sich in der Nähe des Lautsprechers	Nicht den Mikrofonkopf auf den Lautsprecher richten Mikrofon bei Nichtgebrauch ausschalten Mikrofonlautstärke mindern Handy während Anrufen nicht in Lautsprecher-nähe lassen Lautsprecher nicht in der Nähe von Geräten lassen, die Störungen verursachen können

## TECHNISCHE DATEN

Stromversorgung .....	100-240V~50/60Hz
Verbrauch .....	40W
Verbrauch im Stand-by-Modus .....	<0.5W
Tieftöner .....	2 x 6,5"/16cm
Leistung .....	300W
Eingebauter Lithium-Ionen-Akku .....	7,4V= 5Ah
BT-Frequenzband .....	2402-2480MHz
Maximale HF-Emissionsleistung .....	6,01 dBm
Impedanz .....	4 Ohm
Frequenzgang .....	60Hz - 16kHz
S/R-Verhältnis .....	>70dB
Abmessungen .....	269 x 290 x 626 mm
Gewicht.....	8,92 kg



## STAND-ALONE ACTIEFBOX 300W MET BLUETOOTH, USB, MICRO-SD & AFSTANDSBEDIENING

### INTRODUCTIE

Gefeliciteerd voor de aankoop van onze luidspreker

### WAARSCHUWING





### VERKLARING VAN DE TEKENS

 De bliksem in de driehoek vestigt de aandacht van de gebruiker op een elektrische schokrisico.


 De driehoek met het uitroepteken vestigt de aandacht van de gebruiker op belangrijke gebruik- of onderhoudsinstructies.

#### **Correcte verwijdering van dit product**

 Deze marking geeft aan dat dit product niet met ander huishoudelijk afval in de hele EU mag worden weggegooid. Om mogelijke schade aan het milieu of de menselijke gezondheid door ongecontroleerde afvalverwijdering te voorkomen, moet u deze op verantwoorde wijze recyclen om duurzaam hergebruik van materiaalbronnen te bevorderen. Als u uw gebruikt apparaat wilt retourneren, gebruikt u de retour- en verzamelssystemen of neemt u contact op met de winkel waar het product is gekocht. Ze zullen voor milieuveilige recycling zorgen.

 Voldoet aan de Europese CE richtlijnen

 Klasse II-bescherming, dubbele isolatie zonder aarding

 Alléén voor gebruik binnenshuis

**Dit apparaat is ontworpen in overeenstemming met de Europese EcoConception-richtlijn.**

**Het doel is om het stroomverbruik van apparaten te verminderen. Het is daarom uitgerust met een automatisch stand-bysysteem. Na 10 minuten zonder enige actie of geluidsuitzending, gaat het automatisch naar de stand-bymodus.**

**Om het opnieuw te starten, moet u de afstandsbediening gebruiken of het apparaat uitschakelen met de aan / uit-knop en 1 minuut wachten voordat u het weer inschakelt.**

### BELANGRIJKE VEILIGHEIDS EN RISICO WAARSCHUWINGEN

- Alle veiligheidsinstructies en waarschuwingen moeten worden nageleefd. Ze maken deel uit van de handleiding en moet worden bewaard met de handleiding.
- Aanspraak op garantie vervalt als er schade optreedt als gevolg van niet-naleving van deze gebruiksaanwijzing. Wij zijn niet aansprakelijk voor eventuele daaruit voortvloeiende schade.
- Wij zijn niet aansprakelijk voor persoonlijk letsel of schade aan eigendommen veroorzaakt door ondeskundig gebruik of niet naleving van de veiligheidsinstructies. Elke aanspraak op garantie vervalt in dergelijke gevallen.
- Onbevoegde conversies en / of wijzigingen van het apparaat zijn niet toegestaan voor reden van veiligheid en vergunningen (CE).
- Het apparaat is goedgekeurd voor gebruik in droge, gesloten ruimtes alleen. Niet het apparaat in de buurt van water, zoals in de badkamer of zwembaden gebruiken.
- Het toestel en de batterijen niet aan extreme temperaturen blootstellen (< +5°C / > °35°C).
- Het apparaat mag niet worden blootgesteld aan sterke trillingen of zware mechanische belasting.
- Plaats geen ontvangers gevuld met vloeistoffen, zoals glazen of vazen, op of direct naast het apparaat. Ze kunnen omvallen, waardoor water in het apparaat binnendringt. Giet nooit vloeistoffen uit boven het toestel. Plaats geen kleine voorwerpen, zoals munten of paperclips, op het toestel, aangezien zij zou kunnen vallen in het apparaat. Zij kunnen brand of stroomslag veroorzaken! Als er vloeistof of voorwerpen in het apparaat dringen, trek dan onmiddellijk de stekker uit het stopcontact en raadpleeg een deskundige.
- Plaats het apparaat nooit op een instabiele of beweegbare ondergrond. Mensen kunnen gewond raken of het apparaat wordt beschadigd door het vallen.
- Gebruik het apparaat alleen in een gematigd klimaat, niet in een tropische omgeving.
- Defecte stroomkabels mogen enkel vervangen worden door specialisten. Gevaar van elektrische schok!
- Als u niet zeker bent over de correcte aansluiting of als er vragen zijn die niet worden beantwoord door de gebruiksaanwijzing, contacteer een specialist. Raadpleeg een specialist indien u twijfel heeft aan het werkingsprincipe of de veiligheid van het product.

### DE BATTERIJ OPLADEN

1. Sluit de netstekker aan op een stopcontact en de ingebouwde batterij begint op te laden. De CHARGE-LED licht rood op. Zodra de batterij volledig is opgeladen, gaat de LED groen branden.
2. Voor een langere levensduur van de batterij wordt aanbevolen om de voedingskabel na maximaal 10 uur opladen los te koppelen.
3. Als de batterij leeg is, zet u de luidspreker uit en laadt u hem minstens een half uur op voordat u hem weer gebruikt.

**LET OP:** als de luidspreker via de afstandsbediening in de standby-modus is geschakeld, wordt de ingebouwde batterij **NIET** opgeladen.

Na 10 minuten inactiviteit schakelt het apparaat automatisch naar de stand-bymodus.

### VOOR APPARATEN DIE LITHIUM-ION BATTERIJEN BEVATTEN

1. **ALVORENS** u het apparaat voor de eerste keer gebruikt, **laad de batterij geheel op.**
2. Laad de batterij na elk gebruik regelmatig op. **Wacht niet tot het is ontladen!**
3. **NOOIT de batterij volledig ontladen!** Anders verliest het 20% van zijn capaciteit of is het zelfs volledig beschadigd! Als de spanning te laag wordt, worden de interne circuits niet meer gevoed en het is onmogelijk om de batterij opnieuw op te laden!
4. Als u het apparaat voor een langere periode niet gebruikt, **LAAD DE BATTERIJ TOT 40% VAN HAAR CAPACITEIT OP** en controleer / laad ze eenmaal per maand.

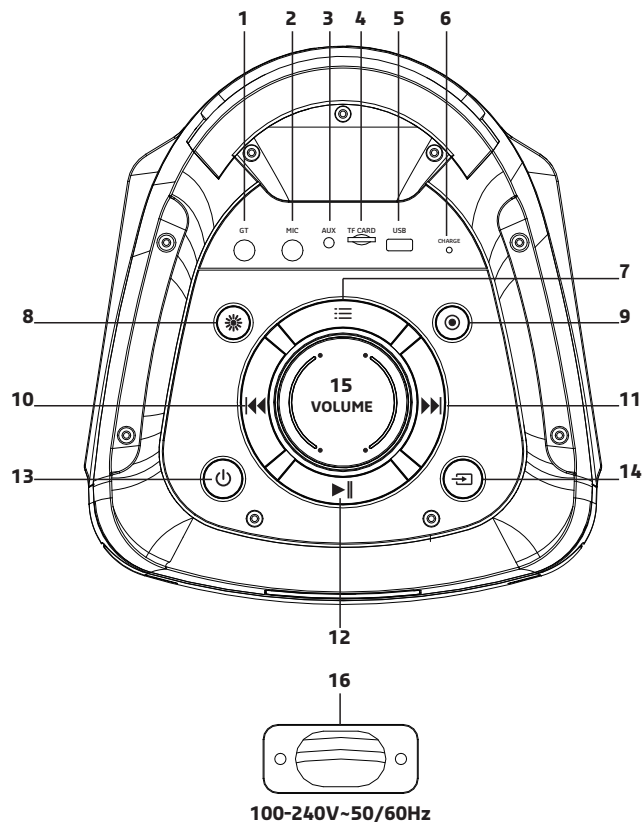
**DE LEVENSDUUR VAN DE BATTERIJ IS AFHANKELIJK VAN HET NALEVEN VAN DEZE AANBEVELINGEN.**

**\*\* BATTERIJEN ZIJN NIET GEDEKT DOOR DE GARANTIE \*\***

**WIJ ZIJN NIET AANSPRAKELIJK VOOR BESCHADIGDE BATTERIJEN ALS GEVOLG VAN HET NIET NALEVEN VAN DEZE BASISREGELS.**

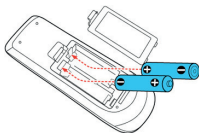
### OMSCHRIJVING VAN HET BOVENPANEEL

1. Gitaar ingang
2. MIC-ingang
3. AUX-ingang (3,5 mm jack-kabel)
4. Micro SD-kaart ingang
5. USB-stick ingang
6. Oplaad-LED
7. MENU: Treble/bas/mic volume/mic echo/ gitaar vol aanpassing
8. LED-licht aan/uit
9. Opnamefunctie
10. Vorige nummer
11. Kort indrukken om het volgende nummer te selecteren
12. Kort indrukken om af te spelen/pauzeren in USB/TF/Bluetooth-modus. Lang indrukken om de TWS-functie te activeren
13. Inschakelen / uitschakelen
14. Modus: Lijn in, USB/TF, Bluetooth,
15. Hoofdvolumeregeling
16. Netingang (achterpaneel)



### BATTERIJEN PLAATSEN

Verwijder het deksel van het batterij vak en plaats 2 AAA batterijen met de juiste poling in het vak



### ADVIES VOOR BATTERIJEN



*Dit symbool geeft aan dat gebruikte batterijen en accu's niet bij het huisvuil mogen worden weggegooid, maar moeten worden gedeponeerd in gescheiden inzamelpunten voor recycling.*

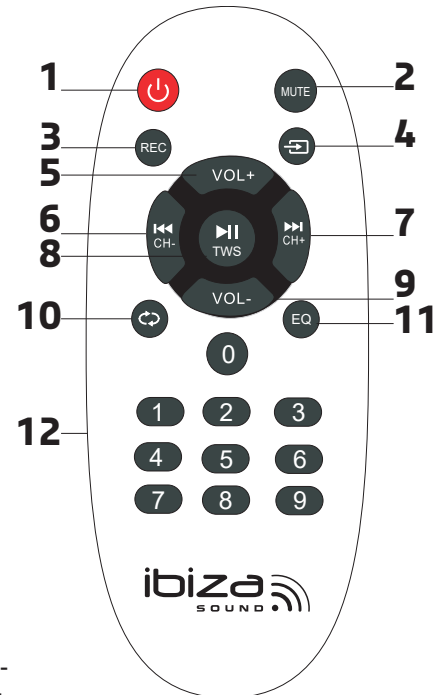
### WAARSCHUWINGEN VOOR HET GEBRUIK VAN BATTERIJEN

*Er is explosiegevaar als de batterij verkeerd is geplaatst. Alleen vervangen door hetzelfde of een vergelijkbaar type. Tegen hitte beschermen. Bij langere niet-gebruik batterijen uit het vak verwijderen.*

*Slik de batterij niet in. Gevaar voor chemische brandwonden. Als u twijfelt of de batterijen zijn ingeslikt of in een ander deel van het lichaam zijn ingebracht, neem dan onmiddellijk contact op met een arts*  
*De meegeleverde afstandsbediening bevat batterijen. In geval van inslikken kan het binnen slechts 2 uren ernstige interne brandwonden veroorzaken die tot de dood kunnen leiden.*  
*Houd nieuwe en oude batterijen buiten het bereik van kinderen.*  
*Als het batterijcompartiment niet goed sluit, stop dan met het gebruik van het product en houd het buiten het bereik van kinderen.*

## AFSTANDSBEDIENING

1. Stroom AAN / Stand-by
2. Dempt het geluid in elke modus
3. Opnamefunctie: Druk in de USB/TF-modus op de knop "REC" om op te nemen
4. Modus: Druk kort om naar de BT/LINE/USB/TF/-modus te gaan.
5. Hoofdvolume +
6. Vorig nummer
7. Volgende liedje
8. Speel pauze
9. Hoofdvolume -
10. Herhaal één nummer, herhaal alle nummers
11. EQ-geluidsmodus: pop, rock, jazz, classic, flat
12. Cijfertoetsen: Voer in USB/TF-modus direct het nummer van het gewenste nummer in



## STANDBY MODUS

Druk op de stand-by knop op de afstandsbediening om het systeem in de stand-by modus te zetten. Druk nogmaals om het systeem in te schakelen.

In de standby-modus laadt de batterij niet op en heeft het apparaat een minimaal batterijverbruik.

Houd bij het aansluiten van de netvoeding de aan/uit-knop 3 seconden ingedrukt en het display gaat aan. Als u kort op de AAN/UIT-knop drukt, schakelt het apparaat over naar de stand-by modus en licht de aan/uit-knop rood op.

## MODE TOETS

Druk op de knop 14 op het apparaat of 4 op de afstandsbediening en selecteer BLUETOOTH (BLUE wordt weergegeven), USD/SD (alleen als de USB- of TF-ingangen zijn aangesloten), AUX (LINE wordt weergegeven) of (er wordt een frequentie weergegeven).

## VOLUME INSTELLING

Draai aan de volumeregelaar 15 op het apparaat of druk op de knoppen 5 & 9 op de afstandsbediening om het algehele afspeelvolumen aan te passen

Druk op de MENU-knop (14) en draai aan de VOLUME-regelaar (15) om het treble / bass / mic volume / Mic echo / guitar volume aan te passen.

## PRE-EQUALIZER

Het systeem heeft een vooraf ingesteld audio eq systeem. Druk herhaaldelijk op de EQ-knop op de afstandsbediening om een van de 5 beschikbare audio-equalizers te selecteren die het beste bij de huidige muziek passen.

## BAS / TREBLE INSTELLING

Druk één keer op de MENU-knop (7) op het apparaat om de hoge tonen aan te passen en twee keer om de lage tonen aan te passen.

## MICROFOON ECHO EFFECT

Druk 4 keer op de MENU-knop (7) op het apparaat en draai aan de hoofdvolumeregelaar om het echo-effect van de microfoon aan te passen.

*Let op: het echo-effect werkt alleen op de microfooningang.*

## MIC VOLUME

Druk 3 keer op de MENU-knop (7) op het apparaat en draai aan de hoofdvolumeregelaar om het microfoon geluidsniveau aan te passen.

*Opmerking: deze functie is alleen beschikbaar wanneer een microfoon is aangesloten (niet meegeleverd)*

## GITAAR VOLUME

Druk 5 keer op de MENU-knop (7) op het apparaat en draai aan de hoofdvolumeregelaar om het gitaarvolume aan te passen.

*Opmerking: deze functie is alleen beschikbaar als er een gitaar is aangesloten*

## LED LICHT SCHAKELAAR

Druk op de lichtknop (8) om door de verschillende lichteffecten te bladeren en het licht uit te schakelen.

## VOICE PROMPT FUNCTIE

Houd de MODE-knop (14) op het apparaat of (4) op de afstandsbediening ingedrukt om de functie voor gesproken meldingen in en uit te schakelen.

## BLUETOOTH FUNCTIE

Druk op de MODE-knop op het apparaat of de afstandsbediening totdat BLAUW wordt weergegeven en knip-pert.

1. Plaats de mobiele telefoon binnen 10 meter
2. Activeer de BT-zoekfunctie op uw mobiele telefoon om naar het BT-apparaat te zoeken. Raadpleeg de gebruikershandleiding voor details
3. Selecteer PHANTOM in de lijst met gevonden apparaten. Voer indien nodig het wachtwoord "0000" in.
4. Druk kort op de PLAY/PAUSE-knop ►|| om de muziek af te spelen of te pauzeren. Druk kort op de knop "◀◀" of "▶▶" om het vorige of volgende nummer te selecteren.

## AUX MODUS:

Druk op de MODE-knop op het apparaat of de afstandsbediening totdat LINE is geselecteerd. Speel de muziek af van het apparaat dat is aangesloten op de AUX-ingang via een 3,5 mm-jack.

## USB / MICRO-SD MODUS:

1. Plaats een USB- of TF-apparaat en druk op de MODE-knop om de modus "USB" of "TF" te selecteren. Het apparaat zal automatisch de muziek op het aangesloten apparaat lezen en afspelen.
2. Druk kort op de "►||"-knop om te pauzeren of af te spelen.
3. Druk kort op de "◀◀"-knop om naar het vorige nummer te gaan.
4. Druk kort op de "▶▶"-knop om naar het volgende nummer te gaan.
5. Druk op de herhaalknop (10) op de afstandsbediening. Op het display verschijnt "ONE" en het nummer wordt continu afgespeeld. Druk twee keer en het display toont "ALL". Alle nummers op de USB/SD worden continu afgespeeld.

## TWS MODUS

1. Schakel de 2 luidsprekers (PHANTOM) in en selecteer Bluetooth-modus.
2. Houd de afspeel-/pauzeknop op een van de 2 luidsprekers ingedrukt. U hoort een pieptoon. Dit wordt de hoofd-luidspreker (linkerkanaal) die automatisch zoekt en verbinding maakt met de andere luidspreker (rechterkanaal). Na het aansluiten hoort u een pieptoon.
3. Schakel uw Bluetooth-apparaat in en plaats het dicht bij de luidspreker (binnen 10 meter).
4. Selecteer 'PHANTOM' in de lijst met gevonden apparaten.
5. Nu kunt u in stereo naar de nummers van uw Bluetooth-apparaat luisteren.
6. In de TWS-modus hebben manipulaties aan de hoofd-luidspreker invloed op de andere luidspreker. bijv. volumeregeling, vorige/volgende nummer, afspelen/pauzeren en aan/uit.

*Opmerking: Als de luidsprekers niet koppelen, schakelt u ze allebei uit en herhaalt u stap 1, 2 en 3.*

*De TWS-functie werkt alleen tussen luidsprekers met dezelfde Bluetooth-naam*

## STEMOPNAME

Het apparaat kan stem van de microfoon opnemen op een USB-stick of microSD-kaart. Er wordt automatisch een map 'Record' op de USB-stick gemaakt waarin alle bestanden worden opgeslagen.

1. Schakel het apparaat in
2. Steek een USB-stick of een microSD-kaart in de aansluiting.
3. Selecteer USB- of SD-modus via de MODE-knop op het apparaat of de afstandsbediening.
4. Druk op de REC-knop op het apparaat of de afstandsbediening om de opname te starten. Op het display verschijnt "REC" en de tijdteller begint.
5. Druk nogmaals op REC om de opname te stoppen. Het apparaat speelt het opgenomen bestand automatisch af.

*Opmerking: u kunt alleen stem opnemen. Tijdens het opnemen zijn sommige bedieningselementen gedeactiveerd; Ze zullen hun normale functie hervatten wanneer de opname wordt gestopt.*

## ACCU VERWIJDEREN

**Waarschuwing: Deze handeling mag alleen worden uitgevoerd door opgeleid personeel! Het apparaat mag tijdens het verwijderen van de accu niet op het lichtnet aangesloten zijn.**

1. Verwijder de schroeven op de metalen plaat op het achterpaneel
2. Verwijder het metalen paneel
3. Koppel de accu los en verwijder deze
4. Vervang de accu door een nieuwe met exact dezelfde specificaties

## FOOTDIAGNOSE

Probleem	Mogelijke oorzaak	Oplossing
Geen geluid	Geen ingangsgeluidsbron Volumeknop in de laagste stand Voice prompt is deactiveerd USB/SD niet aangesloten	Sluit een lijnsignaal aan Pas het volume aan Activeer de voice prompt Plaats een USB/SD-kaart
Vervorming van het geluid	Volume te luid Audiobestand defect	Zet het volume lager Controleer en wijzig het audiobestand
Geen geluid van de microfoon	Microfoon niet volledig aangesloten Microfoon niet aan Microfoonvolume is te laag	Sluit de microfoon volledig aan Microfoon aanzetten Microfoonvolume aanpassen
Geen geluid van de USB-stick/TF kaart	Incompatibel bestandformaat USB/SD-kaart niet goed geplaatst	Bestandsformaat moet MP3 zijn Plaats de USB/SD-kaart op de juiste manier
De CHARGE-indicator knippert rood als de batterij bijna leeg is	Netadapter is niet goed aangesloten	Dit heeft geen invloed op het luidsprekersysteem. Het oplaadlampje geeft alleen aan of het apparaat aan het opladen is
De batterij laadt niet goed op en werkt maar heel kort	Sluit het netsnoer aan om de batterij op te laden Batterij is niet volledig opgeladen De batterij is leeg	Controleer of het netsnoer goed is aangesloten Verleng de oplaadtijd. Normaal gesproken duurt het 6-8 uur om de batterij volledig op te laden. Vervang de batterij door een nieuwe met exact dezelfde specificaties
Luidspreker maakt geluid	Microfoon te dicht bij de luidspreker Microfoon is ingeschakeld maar niet in gebruik Microfoonvolume te luid Mobiele telefoon te dicht bij de luidspreker Te dicht bij de apparatuur die interfereert met de luidspreker	Laat de microfoon niet naar de luidspreker wijzen! Schakel de microfoon uit als deze niet in gebruik is Verlaag het microfoonvolume Houd mobiel uit de buurt van de luidspreker tijdens gesprekken Houd de luidspreker uit de buurt van andere storingsbronnen

## SPECIFICATIES

Voeding .....	100-240V~50/60Hz
Opgenomen vermogen .....	40W
Verbruik in stand-by modus .....	<0.5W
Woofers .....	2 x 6.5"/16 cm
Vermogen .....	300W
Ingebouwde batterij .....	Li-ion 7,4V= 5Ah
BT-freq. band .....	2402-2480MHz
Maximaal RF-emissievermogen .....	6.01dBm
Impedantie .....	4 ohm
Frequentiebereik .....	60Hz - 16kHz
S/R-verhouding.....	>70dB
Afmetingen .....	269 x 290 x 626 mm
Gewicht .....	8,92 kg

## ALTAVOZ ACTIVO AUTONOMO 300W CON BLUETOOTH, USB, MICRO-SD Y MANDO A DISTANCIA

### INTRODUCCION

Queremos agradecerle la compra de este altavoz.

### ADVERTENCIAS



### EXPLICACION DE LOS SIMBOLOS



El rayo dentro del triángulo avisa al usuario de la presencia de tensiones no aisladas en el interior del equipo con una magnitud suficiente para provocar una electrocución.



El punto de exclamación dentro del triángulo avisa al usuario de instrucciones importantes de uso y de mantenimiento contenidas en la documentación incluida



Los productos eléctricos no deben ser tirados a la basura normal, han de ser reciclados en un lugar destinado a ello. Pregunte a las autoridades locales, por el punto más cercano a su domicilio.



Conforme con los requisitos de la norma CE



Protección clase II, doble aislamiento sin conexión a tierra.



Este producto, es adecuado solo para uso en interiores

**Este dispositivo ha sido diseñado de acuerdo con la Directiva Europea de EcoConcepción.**

**El objetivo es reducir el consumo de energía de los dispositivos. Por lo tanto, está equipado con un sistema de espera automático. Después de 10 minutos sin ninguna acción o emisión de sonido, entrará automáticamente en modo de espera.**

**Para reiniciarlo tendrás que utilizar su mando a distancia o apagar el dispositivo con el botón de encendido / apagado y esperar 1 minuto antes de volver a encenderlo.**

### INSTRUCCIONES DE SEGURIDAD IMPORTANTES

- Lea atentamente este manual que contiene informaciones importantes de la instalación, uso y mantenimiento de este equipo.
- Conserve el manual para consultas futuras. Si el equipo cambia de propietario algún día
- Conecte el equipo a una toma de corriente adecuada.
- Para evitar cualquier riesgo de incendio o descarga eléctrica, no exponga el equipo a la lluvia o la humedad.
- Desenchufe el equipo de la corriente en caso de no utilización prolongada.
- Tome todas las precauciones para que ningún objeto o líquido entre en el interior del equipo
- No abra la tapa del equipo o el panel trasero. El equipo no contiene ninguna pieza reemplazable por el usuario.
- Proteger de llamas como por ejemplo de una vela.
- No utilizar en climas tropicales, solo en climas templados.
- Mantenga el equipo a una distancia alrededor del equipo con respecto a cualquier otro objeto, mínima de 0.5m, para asegurar una ventilación suficiente y evitar sobrecalentamientos.
- Coloque el equipo en una plataforma nivelada y estable. Nunca coloque el aparato sobre una superficie inestable o móvil. Las personas pueden resultar heridas o el aparato puede resultar dañado si se cae.
- Respetar todas las instrucciones de seguridad y advertencias. Estas están incluidas en el manual y este manual ha de ser conservado.
- Declinamos cualquier responsabilidad por daños a bienes o personas debidos a una manipulación o el no respetar las instrucciones de seguridad. En ese caso, tampoco se aplicará el derecho de garantía.
- Las modificaciones no autorizadas del equipo están prohibidas por razones de seguridad y de licencia (CE).
- No exponga el equipo a temperaturas extremas (<5°C / >35°C°) durante su funcionamiento
- Proteger de las vibraciones fuertes o estrés mecánico.
- **Dispositivo de corte de corriente:** Cuándo el cable de corriente o el interruptor del equipo, sean utilizados como método de desconexión, este dispositivo debe permanecer fácilmente accesible;

## CARGAR LA BATERIA

1. Conecte el enchufe de alimentación a una toma de CA y la batería incorporada comenzará a cargarse. El LED CHARGE se enciende en rojo. Una vez que la batería está completamente cargada, el LED se ilumina en verde.
2. Para una mayor duración de la batería, se recomienda desconectar el cable de alimentación de red después de 10 h como máximo de recarga.
3. Si la batería está vacía, apague el altavoz y recárguelo durante al menos media hora antes de volver a usarlo.

**ATENCIÓN: Si EL EQUIPO SE HA PUESTO EN MODO DE ESPERA CON EL MANDO A DISTANCIA, LA BATERIA NO SE CARGARÁ.**

Después de 10 minutos de inactividad, la unidad cambiará automáticamente al modo de espera.

### NOTA IMPORTANTE: PRODUCTOS CON BATERIAS DE LITÍO-ION

1. **ANTES del primer uso, cargue COMPLETAMENTE la batería.**
2. Recargue regularmente la batería después de cada uso, sin esperar a que estas se descargue
3. **NUNCA permita que la batería se descargue por completo**, ya que perderá primeramente el 20% de su capacidad, para finalmente perder totalmente la capacidad de carga de la misma.

Si la tensión es demasiado baja, el circuito no se podrá alimentar y será imposible recargar la batería.

4. Si usted no va a utilizar el equipo por un tiempo prolongado, se recomienda verificar y cargar la batería, al 40% aproximadamente, como mínimo una vez al mes

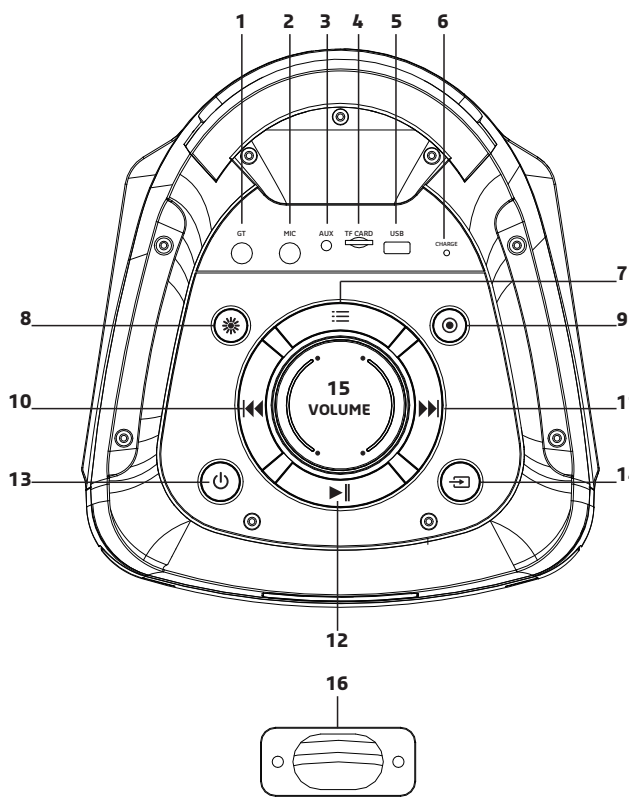
La duración de la batería depende en buena parte de que siga estos consejos de utilización.

**\*\* LAS BATERIAS NO ESTAN CUBIERTAS POR LA GARANTIA\*\***

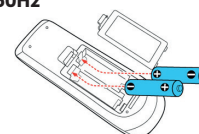
**No aceptamos ninguna responsabilidad por baterías dañadas prematuramente debido al incumplimiento de estas reglas básicas.**

## DESCRIPCION PARTE SUPERIOR

1. Entrada de guitarra
2. Entrada MIC
3. Entrada AUX (cable jack de 3,5 mm)
4. Entrada de tarjeta micro SD
5. Entrada de memoria USB
6. LED de carga
7. MENÚ: Ajuste de agudos / graves / volumen del micrófono / eco del micrófono / volumen de la guitarra
8. Luz LED encendida / apagada
9. Función de grabación
10. Canción anterior
11. Presione brevemente para seleccionar la siguiente canción
12. Presione brevemente para reproducir / pausar en modo USB / TF / Bluetooth. Mantenga pulsado para activar la función TWS
13. Encendido / apagado
14. Modo: Entrada de línea, USB / TF, Bluetooth,
15. Control de volumen principal
16. Entrada de red (panel trasero)



100-240V~50/60Hz



## INSTALACION DE LAS PILAS

Retire la tapa del compartimento de las pilas en la parte trasera del mando a distancia e inserte 2 pilas AAA (LR3) respetando la polaridad.

## RECOMENDACIONES PARA LAS PILAS



*Este pictograma indica que las pilas y las Baterías usadas no deben ser tiradas a las basuras domésticas si no que deben ser llevadas a puntos de recogida para que puedan ser recicladas. Mantenga las pilas alejadas del calor excesivo tal como puede ser el Sol, el fuego o similares.*

*Cuándo las pilas no sean utilizadas, retírelas para evitar los daños causados por fugas o corrosión de las pilas.*

**ATENCIÓN:** Peligro de explosión si la pila no es cambiada correctamente. Reemplázala por una de idénticas características.

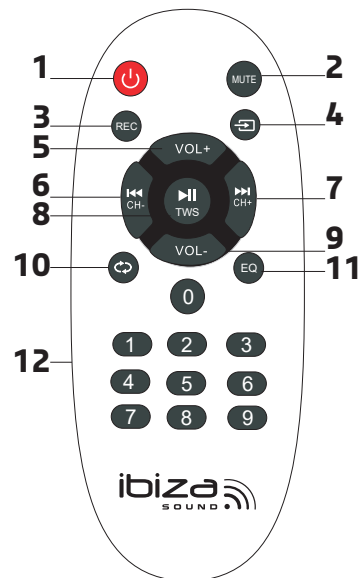
**ADVERTENCIAS:** No ingiera la pila. Peligro de quemadura química. Conserve las pilas nuevas y usadas fuera del alcance de los niños.

Si el compartimento de las pilas no cierra correctamente, deje de utilizar el producto y manténgalo fuera del alcance de los niños.

En caso de duda concerniente a si la pila puede haber sido tragada o introducida en cualquier parte del cuerpo, consulte inmediatamente a un médico.

## MANDO A DISTANCIA

1. Encendido / En espera
2. Silencia el sonido en cualquier modo
3. Función de grabación: en el modo USB / TF, presione el botón "REC" para grabar
4. Modo: presione brevemente para pasar al modo BT / LINE / USB / TF
5. Volumen principal +
6. Canción anterior
7. Siguiente canción
8. Reproducir pausar
9. Volumen principal -
10. Repite una canción, repite todas las canciones.
11. Modo de sonido EQ: pop, rock, jazz, clásico, plano
12. Botones numéricos: en modo USB / TF ingrese directamente el número de la canción deseada



## MODO DE ESPERA

Presione el botón de espera en el control remoto para cambiar el sistema al modo de espera. Presione nuevamente para encender el sistema.

En modo de espera, la batería no se recarga y el dispositivo tiene un consumo mínimo de batería.

Cuando conecte la fuente de alimentación, mantenga presionado el botón de encendido durante 3 segundos y la pantalla se encenderá. Si presiona brevemente el botón de POWER, el dispositivo cambiará al modo de espera y el botón de encendido se iluminará en rojo.

## BOTÓN DE MODO

Presione el botón 14 en la unidad o 4 en el control remoto y seleccione BLUETOOTH (se muestra BLUE), USD / SD (solo si las entradas USB o TF están conectadas), AUX (se muestra LINE) o (se muestra una frecuencia) .

## AJUSTE DE VOLUMEN

Gire el control de volumen 15 en la unidad, o presione los botones 5 y 9 en el control remoto para ajustar el volumen general de reproducción

Presione el botón MENU (14) y gire el control VOLUME (15) para ajustar los agudos / graves / volumen del micrófono / eco del micrófono / volumen de la guitarra.

## PRE-EQUALIZER

El sistema tiene un sistema de ecualización de audio preestablecido. Presione el botón EQ en el control remoto repetidamente para seleccionar una de las 5 ecualizaciones de audio disponibles y la que mejor se adapte a la música actual.

## AJUSTE BASS / TREBLE

Presione el botón MENU (7) en la unidad una vez para ajustar los agudos y dos veces para ajustar los graves.

## EFEECTO MIC ECHO

Presione el botón MENÚ (7) en la unidad 4 veces y gire el control de volumen maestro para ajustar el efecto de eco del micrófono.

*Nota: el efecto de eco solo funciona en la entrada del micrófono.*

## VOLUMEN DEL MICRÓFONO

Presione el botón MENÚ (7) en la unidad 3 veces y gire el control de volumen maestro para ajustar el nivel de sonido del micrófono.

*Nota: esta función solo está disponible cuando se conecta un micrófono con cable (no incluido)*

## VOLUMEN DE GUITARRA

Presione el botón MENÚ (7) en la unidad 5 veces y gire el control de volumen maestro para ajustar el volumen de la guitarra.

*Nota: esta función solo está disponible cuando hay una guitarra conectada*



### INTERRUPTOR DE LUZ LED

Presione el botón de luz (8) para recorrer los distintos efectos de luz y apagar la luz.

### FUNCIÓN DE AVISO DE VOZ

Mantenga presionado el botón MODE (14) en la unidad o (4) en el control remoto para activar y desactivar la función de aviso de voz.

### FUNCIÓN BLUETOOTH

Presione el botón MODE en la unidad o el control remoto hasta que se muestre BLUE y parpadee.

1. Coloque el teléfono celular a menos de 10 metros
2. Active la función de búsqueda BT en su teléfono celular para buscar el dispositivo BT. Consulte el manual del usuario para obtener más detalles.
3. Seleccione PHANTOM en la lista de dispositivos encontrados. Introduzca la contraseña "0000" si es necesario.
4. Presione brevemente el botón REPRODUCIR / PAUSA ► || para reproducir o pausar la música. Presione brevemente el botón "◀◀" o "▶▶" para seleccionar la pista anterior o siguiente.

### MODO AUX:

Presione el botón MODE en la unidad o el control remoto hasta seleccionar LINE. Reproduzca la música del dispositivo conectado a la entrada AUX a través de un conector de 3,5 mm.

### MODO USB / MICRO-SD:

1. Inserte un dispositivo USB o TF y presione el botón MODE para seleccionar el modo "USB" o "TF". La unidad leerá y reproducirá automáticamente la música en el dispositivo conectado.
2. Presione el botón "►||" brevemente para pausar o reproducir.
3. Presione brevemente el botón "◀◀" para ir a la canción anterior.
4. Presione brevemente el botón "▶▶" para ir a la siguiente canción.
5. Presione el botón Repetir (10) en el control remoto. La pantalla mostrará "ONE" y la pista se reproducirá de forma continua. Presione dos veces y la pantalla mostrará "ALL". Todas las canciones del USB / SD se reproducirán de forma continua.

### MODO TWS

1. Encienda los 2 altavoces (PHANTOM) y seleccione el modo Bluetooth.
2. Mantenga presionado el botón de reproducción / pausa en uno de los 2 altavoces. Oirá un pitido. Este se convierte en el altavoz principal (canal izquierdo) que buscará y se conectará automáticamente al otro altavoz (canal derecho). Después de la conexión, escuchará un pitido.
3. Encienda su dispositivo Bluetooth y colóquelo cerca del altavoz (a menos de 10 metros).
4. Seleccione 'PHANTOM' en la lista de dispositivos encontrados.
5. Ahora puede escuchar las canciones de su dispositivo Bluetooth en sonido estéreo.
6. En el modo TWS, las manipulaciones al altavoz principal afectarán al otro altavoz. P.ej. ajuste de volumen, canción anterior / siguiente, reproducción / pausa y encendido / apagado.

*Nota: Si los altavoces no se emparejan, apáguelos y repita los pasos 1, 2 y 3.*

*La función TWS solo funciona entre altavoces con el mismo nombre de Bluetooth*

### GRABACIÓN DE VOZ

La unidad puede grabar voz desde el micrófono en una memoria USB o tarjeta microSD. Creará automáticamente una carpeta llamada 'Grabar' en la memoria USB donde almacenará todos los archivos de registro.

1. Encienda la unidad
2. Inserte una memoria USB o una tarjeta microSD en el zócalo.
3. Seleccione el modo USB o SD mediante el botón MODE de la unidad o el control remoto.
4. Presione el botón REC en la unidad o el control remoto para comenzar a grabar. La pantalla mostrará "REC" y se iniciará el contador de tiempo.
5. Presione REC nuevamente para detener la grabación. La unidad reproducirá automáticamente el archivo grabado.

*Nota: solo puede grabar voz. Durante la grabación, algunos controles se desactivan; Reanudarán su función normal cuando se detenga la grabación.*

### EXTRACCION DE BATERIA

**Advertencia: ¡Esta operación solo debe ser realizada por personal capacitado! El aparato no debe enchufarse a la red eléctrica durante la extracción de la batería.**

1. Quite los tornillos que aseguran el compartimiento de la batería en el panel trasero
2. Retire el panel de metal

- Desconecte la batería y extráigala.
- Reemplace la batería por una nueva que tenga exactamente las mismas especificaciones

## SOLUCIÓN DE PROBLEMAS

Problema	Causa posible	Solución
No hay sonido cuando se enciende	Sin fuente de sonido de entrada Perilla de volumen en la posición más baja Función de aviso de voz desactivada No hay USB / SD insertado	Conectar una señal AUX Ajusta el volumen Encienda el mensaje de voz a través del botón MODE Inserte una tarjeta USB / SD
Distorsión del sonido	Volumen demasiado alto Error de archivo de audio	Reducir el volumen Verifique y cambie el archivo de audio
No hay sonido del micrófono	La toma de micrófono no está completamente enchufada El interruptor del micrófono no está encendido Volumen del micrófono demasiado bajo	Enchufe completamente la toma del micrófono Encender el micrófono Ajustar el volumen del micrófono
No hay sonido de la tarjeta USB / SD	Formato de canción incompatible Tarjeta USB / SD no insertada correctamente	El formato de archivo debe ser MP3 Inserte la tarjeta USB / SD correctamente
El indicador CHARGE parpadea en rojo cuando la batería está baja	El adaptador de red no está insertado correctamente	Esto no afecta al sistema de altavoces. El LED de carga es solo una indicación de si la unidad se está cargando
La batería no se carga correctamente y solo funciona durante muy poco tiempo.	Conecte el cable de alimentación para cargar la batería. La batería no está completamente cargada La batería está muerta	Compruebe si el cable de alimentación está conectado correctamente Extiende el tiempo de carga. Normalmente, la batería tarda entre 6 y 8 horas en cargarse por completo. Reemplace la batería por una nueva con exactamente las mismas especificaciones
El altavoz hace ruido	Micrófono con cable demasiado cerca del altavoz El micrófono con cable está encendido pero no está en uso Volumen del micrófono demasiado alto El teléfono móvil está demasiado cerca del altavoz Equipo inalámbrico demasiado cerca del altavoz	Mantenga el micrófono con cable a 2 m del altavoz Apague el micrófono si no está en uso  Reducir el volumen del micrófono Mantenga el móvil alejado del altavoz durante las llamadas Mantenga el altavoz alejado de otros equipos inalámbricos

## CARACTERÍSTICAS TÉCNICAS

Fuente de alimentación .....	100-240V ~ 50 / 60Hz
Consumo .....	40W
Consumo en modo standby .....	<0,5 W
Woofer .....	2 x 6,5 " / 16 cm
Potencia .....	300W
Batería incorporada .....	Li-ion 7.4V= 5Ah
Banda frec BT.....	2402-2480MHz
Potencia máxima de emisión de RF .....	6.01dBm
Impedancia .....	4 ohmios
Respuesta de frecuencia .....	60Hz - 16kHz
Relación S / N.....	> 70dB
Dimensiones .....	269 x 290 x 626 mm
Peso .....	8,92kg

**LOTRONIC**  
international



## EU Declaration of Conformity

Hereby we,

**LOTRONIC SA**  
Avenue Zénobe Gramme, 9  
1480 SAINTES  
Belgique  
+32.2.390.91.91

**Certify and declare under our sole responsibility that the following product:**

Trade name: **IBIZA**  
Product name: Portable speaker  
Type or model: **PHANTOM**

**Conforms to the essential requirements of the RED directive 2014/53/EU, ErP directive 2009/125/EC, Commission Regulation (EC) 1275/2008 & 801/20123/EC, 2011/65/EU RoHS directive and the Commission Delegated Directive (EU) 2015/863**

**Based on the following specifications applied:**

EN 62368-1 : 2014 + A11 : 2017  
ETSI EN301 489-1 V2.2.3 : 2019-11  
ETSI EN301 489-17 V3.2.4 : 2020-09  
EN 55032 : 2015  
EN 55035 : 2017  
EN 61000-3-2 : 2019  
EN 61000-3-3 : 2013 + A1 : 2019  
ETSI EN 300 328 V2.2.2 : 2019-07  
ETSI EN 303 345-1 V1.11 : 2019-06  
ETSI EN 303 345-3 V1.1.0  
EN 50663 : 2017  
EN 62479 : 2010  
EN 50564 : 2011  
IEC 62321-3-1 : 2013  
IEC 62321-4 : 2013 + AMD1 : 2017  
IEC 62321-5 : 2013  
IEC 62321-6 : 2015  
IEC 62321-7-1 : 2015  
IEC 62321-7-2 : 2017  
IEC 62321-8 : 2017

Place and date of issue:  
Saintes ( Belgium ), on 03/12/2021

Manuel De Sousa  
Quality Manager

~~LOTRONIC SA  
Av. Zenobe Gramme 9  
1480 Saintes - Belgium  
Tel. +32.2.390.91.91  
Fax +32.2.390.93.19  
info@lotronic.net  
www.lotronic.net~~



## Déclaration UE de Conformité

Nous, **LOTRONIC SA**  
Avenue Zénobe Gramme, 9  
1480 SAINTES  
Belgique  
+32.2.390.91.91

**Certifions et déclarons sous notre seule responsabilité que les produits suivants :**

Marque: **IBIZA**  
Désignation commerciale : Système de sonorisation portable  
Type ou modèle : **PHANTOM**

**Auxquels se réfère cette déclaration sont conformes aux exigences essentielles et aux autres dispositions pertinentes de la directive RED 2014/53/EU, la directive ErP 2009/125/EU, le règlement (CE) 1275/2008, 801/2013/EC la directive RoHS 2011/65/EU et la directive déléguée (UE) N° 2015/863**

**Les produits sont en conformité avec les normes et/ou autres documents normatifs suivants :**

EN 62368-1 : 2014 + A11 : 2017  
ETSI EN301 489-1 V2.2.3 : 2019-11  
ETSI EN301 489-17 V3.2.4 : 2020-09  
EN 55032 : 2015  
EN 55035 : 2017  
EN 61000-3-2 : 2019  
EN 61000-3-3 : 2013 + A1 : 2019  
ETSI EN 300 328 V2.2.2 : 2019-07  
ETSI EN 303 345-1 V1.11 : 2019-06  
ETSI EN 303 345-3 V1.1.0  
EN 50663 : 2017  
EN 62479 : 2010  
EN 50564 : 2011  
IEC 62321-3-1 : 2013  
IEC 62321-4 : 2013 + AMD1 : 2017  
IEC 62321-5 : 2013  
IEC 62321-6 : 2015  
IEC 62321-7-1 : 2015  
IEC 62321-7-2 : 2017  
IEC 62321-8 : 2017

Fait à Saintes (Belgique), le 03/12/2021

M. De Sousa  
Responsable Qualité

*LOTRONIC SA*  
*Av. Zenobe Gramme 9*  
*1480 Saintes - Belgium*  
*Tel. +32.2.390.91.91*  
*Fax +32.2.390.93.19*  
*info@lotronic.net*  
*www.lotronic.net*