



SPOTCLEAN PRO

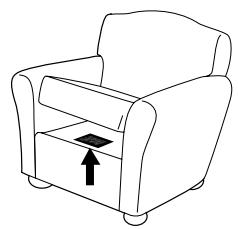


1558 SERIES

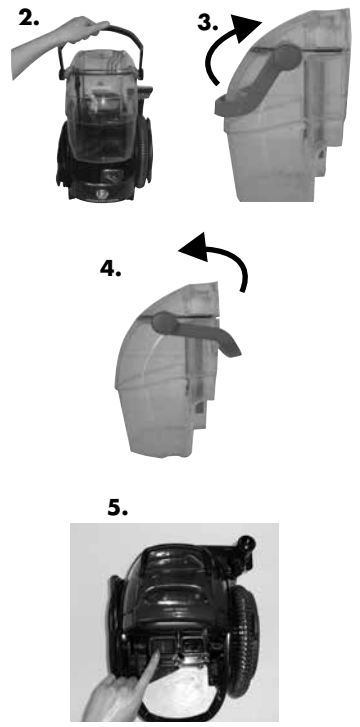
A



B-3



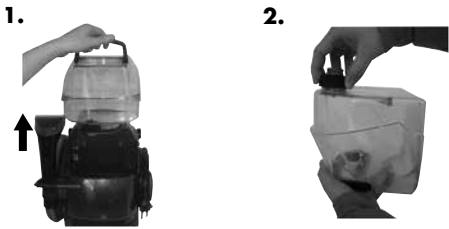
B-4



A-2



B-2



C-2



IMPORTANT SAFETY INSTRUCTIONS

READ ALL INSTRUCTIONS BEFORE USING YOUR CLEANER.

When using an electrical appliance, basic precautions should be observed, including the following.

WARNING TO REDUCE THE RISK OF FIRE, ELECTRIC SHOCK, OR INJURY:

- » Unplug from electrical socket when not in use and before cleaning, maintaining or servicing the appliance.
- » This appliance can be used by children aged from 8 years and above and persons with reduced physical, sensory or mental capabilities or lack of experience and knowledge if they have been given supervision or instruction concerning use of the appliance in a safe way and understand the hazards involved. Cleaning and user maintenance shall not be made by children without supervision.
- » Children should be supervised to ensure that they do not play with the appliance.
- » If the supply cord is damaged, it must be replaced by the manufacturer, its service agent or similarly qualified persons in order to avoid a hazard.
- » Do not run appliance over cord.
- » Keep hair, loose clothing, fingers, and all parts of body away from openings and moving parts of the appliance and its accessories.
- » Use only the type and amount of liquids specified under the Operations section of this guide.
 - » Do not leave appliance when plugged in.
 - » Always connect to a properly earthed electrical socket. Do not modify earthed plug.
 - » Do not expose to rain. Store indoors.
 - » Do not allow to be used as a toy.
 - » Use only as described in the user guide.
 - » Use only manufacturer's recommended attachments.
- » Do not use with damaged cord or plug.
- » Do not immerse in water or liquid.
- » If appliance is not working as it should, has been dropped, damaged, left outdoors, or dropped into water; do not attempt to operate it and have it repaired at an authorized service center.
- » Liquid or steam must not be directed towards equipment containing electrical components.
- » Do not pull or carry by cord, use cord as a handle, close door on cord, or pull cord around sharp edges or corners.
- » Keep cord away from heated surfaces.
- » Do not unplug by pulling on cord.
- » To unplug, grasp the plug, not the cord.
- » Do not handle plug or appliance with wet hands.
- » Do not put any object into openings.
- » Do not use with any opening blocked; keep free of dust, lint, hair, and anything that may reduce air flow.
- » Turn off all controls before unplugging.
- » Use extra care when cleaning on stairs.
- » Do not use to pick up flammable or combustible liquids, such as petrol, or use in areas where they may be present.
- » Do not pick up toxic material (chlorine bleach, ammonia, drain cleaner, etc.)
- » Do not use appliance in an enclosed space filled with vapors given off by oil base paint, some mothproofing substances, flammable dust, or other explosive or toxic vapors.
- » Do not pick up hard or sharp objects such as glass, nails, screws, coins, etc.
- » Keep appliance on a level surface.
- » Unplug before attaching the TurboBrush™ tool.
- » If your appliance is fitted with a nonrewireable BS 1363 plug it must not be used unless a 13 amp (ASTA approved to BS 1362) fuse is fitted in the carrier contained in the plug. Spares may be obtained from your BISSELL supplier. If for any reason the plug is cut off, it must be disposed of, as it is an electric shock hazard should it be inserted into a 13 amp socket.

WARNING

**DO NOT EXPOSE TO RAIN. STORE INDOORS.
USE ONLY BISSELL CLEANING PRODUCTS
INTENDED FOR USE WITH THIS MACHINE.**

WARNING

**TO REDUCE THE RISK OF FIRE AND
ELECTRIC SHOCK, ALWAYS INSTALL FLOAT
BEFORE ANY WET PICK-UP OPERATION.**

SAVE THESE INSTRUCTIONS

FOR OPERATION ON A 220-240 VOLT A.C. 50-60 HZ POWER SUPPLY ONLY.

This model is for household use only.

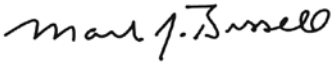
Thanks for buying a BISSELL portable deep cleaner

We're glad you purchased a BISSELL portable deep cleaner. Everything we know about floor care went into the design and construction of this complete, high-tech home cleaning system.

Your BISSELL portable deep cleaner is well made, and we back it with a limited two-year guarantee. We also stand behind it with a knowledgeable, dedicated Consumer Care department, so, should you ever have a problem, you'll receive fast, considerate assistance.




My great-grandfather invented the floor sweeper in 1876. Today, BISSELL is a global leader in the design, manufacture, and service of high quality homecare products like your BISSELL deep cleaner.

Thanks again, from all of us at BISSELL.



Mark J. Bissell
 Chairman & CEO

Symbol Definitions

	<p>WARNING</p>	<p>AN ACTION OR ATTENTION IS NEEDED TO THIS AREA IN ORDER TO REDUCE THE RISK OF ELECTRIC SHOCK, FIRE, OR INJURY</p>
	<p>GUIDE</p>	<p>READ USER GUIDE FOR COMPLETE SAFETY AND USER INSTRUCTIONS</p>
	<p>WEEE</p>	<p>DO NOT THROW THE APPLIANCE AWAY WITH THE NORMAL HOUSEHOLD WASTE AT THE END OF ITS LIFE, BUT HAND IT IN AT AN OFFICIAL COLLECTION POINT FOR RECYCLING. BY DOING THIS YOU WILL HELP TO PRESERVE THE ENVIRONMENT.</p>

A Product View



Do not plug in your cleaner until you have completely assembled it per the following instructions and are familiar with all instructions and operating procedures.

- 1 Carry Handle
- 2 Power Button
- 3 Formula & Clean Water Tank
- 4 Dirty Water Tank
- 5 Power Cable
- 6 Quick Release™ Cable Wrap
- 7 Flex Hose

A-2 Cleaning Formulas

Always use genuine BISSELL deep cleaning formulas. Non-BISSELL cleaning formulas may harm the cleaner and may void the guarantee.

- 22 1.5 L 2X Wash & Protect PRO Professional Stain & Odour Formula w/ Scotchgard™ Protector
- 23 1.5 L 2X Wash & Protect PET Pet Stain & Odour Formula w/ Scotchgard™ Protector
- 24 1.5 L 2X Wash & Protect Stain & Odour Formula w/ Scotchgard™ Protector
- 25 1.5 L 2X* Wash & Refresh Blossom & Breeze w/ Febreze™ Freshness

*2X concentrated formula, 60 mL is equivalent to 120 mL of non-concentrated formula



To reduce the risk of fire and electric shock due to internal component damage, use only BISSELL cleaning fluids intended for use with the deep cleaner.



To reduce the risk of fire, use only BISSELL deep cleaning formula for full size machines in your deep cleaner. Use of cleaning formulas that contain lemon or pine oil may damage this appliance and void the guarantee. Chemical spot cleaners or solvent-based soil removers should not be used. These products may react with the plastic materials used in your deep cleaner causing cracking or pitting.

B Operations

Before you clean

Vacuum area with a dry vacuum cleaner thoroughly before deep cleaning.

B-1 Preparing the machine

1. Release flex hose by twisting the hose secure latch clockwise. Unwrap flex hose completely.
2. Attach the desired tool to the hose grip until it snaps together. Make certain the tool is securely attached.
3. Twist the Quick Release™ cord wrap clockwise to unwrap the power cord completely and plug into grounded outlet.

Scotchgard™ is a trademark of 3M®.

Febreze and related trademarks are owned by The Procter & Gamble Company, Cincinnati, Ohio, and used under license by BISSELL Homecare, Inc.

B-2 Filling the formula & water tank

1. Remove tank from the back of the machine by lifting up tank carry handle.

NOTE: This tank was designed with a flat bottom so it can be easily filled.

2. Unscrew the black cap and remove bottle insert.

3. Fill tank with hot tap water (140° F/60° C MAX) to the water fill line. Add 60 mL of BISSELL 2X formula to the tank.

4. Replace the bottle insert in the tank and tighten the black cap. Replace the tank on the portable machine.

B-3 Cleaning with your spot cleaner

Important! Please check manufacturer's tag before cleaning area rugs for any specialized cleaning instructions. We do not recommend deep cleaning delicate, silk, wool, antique or area rugs without a manufacturer's tag.

1. Plug unit in and turn on by pressing power button.

2. Hold cleaning tool approximately 2.5cm above soiled surface. Press spray trigger to apply cleaning solution to soiled area.

3. Using brush on cleaning tool, gently scrub area to be cleaned.

4. For thorough cleaning, spray additional solution while brush and suction are in contact with surface.

5. Apply downward pressure on cleaning tool and pull it toward you. The suction will remove the dirt and cleaning solution. Continue until no more dirt can be removed.

6. As a final step, use "drying strokes" (by not pressing the spray trigger) to remove as much liquid/moisture as possible. Repeat this step as often as necessary.

B-4 Empty dirty tank

1. When the dirty tank reaches the "FULL" line on the tank it is time to empty.

2. Remove dirty tank and carry to a utility sink, toilet or outside (where you will dispose of the dirty water).

3. To unlock the dirty tank lid, rotate handle over the back of the tank. Remove lid and pour out dirty water. Rinse out dirty tank to remove any debris.

4. Replace top of tank, and rotate the handle forward to lock in place on front of tank.

5. Before replacing tank on machine, wipe debris from red filter.



Keep spray away from face. Failure to do so may result in personal injury.

IMPORTANT

Check for colourfastness in an inconspicuous place. If possible, check upholstery stuffing. Coloured stuffing may bleed through fabric when it becomes wet.

ATTENTION

Some Berber carpets have a tendency to fuzz with wear. Repeated strokes in the same area with an ordinary vacuum or deep cleaner may aggravate this condition.

C Care, Maintenance & Storage

Cleaning your machine

1. Remove and rinse the tools in clean, running water. Dry and replace in the tool storage provided.
2. It is recommended that you suction clean water from a bowl to rinse out the hose. Then lift end of hose and stretch out to ensure all water is cleared from hose.
3. Coil flex hose around the hose wrap and secure with latch.
4. Check suction gate and if it appears dirty, follow steps 1-4 in section C-2.

C-2 Cleaning suction gate

1. Remove dirty tank.
2. Remove two screws and pull off suction gate door.
3. Wipe suction gate clean and rinse suction gate door.
4. Replace suction gate door and two screws.



To reduce the risk of fire, electric shock, or injury, turn power OFF and disconnect plug from electrical outlet before performing maintenance or troubleshooting.

Consumer Guarantee

This Guarantee only applies outside of the USA and Canada. It is provided by BISSELL International Trading Company BV ("BISSELL").

This Guarantee is provided by BISSELL. It gives you specific rights. It is offered as an additional benefit to your rights under law. You also have other rights under law which may vary from country to country. You can find out about your legal rights and remedies by contacting your local consumer advice service. Nothing in this Guarantee will replace or lessen any of your legal rights or remedies. If you need additional instruction regarding this Guarantee or have questions regarding what it may cover, please contact BISSELL Consumer Care or contact your local distributor.

This Guarantee is given to the original purchaser of the product from new and is not transferable. You must be able to evidence the date of purchase in order to claim under this Guarantee.

Limited 2 Year Guarantee from the date of purchase by original purchaser

Subject to the *EXCEPTIONS AND EXCLUSIONS identified below, BISSELL will repair or replace (with new or remanufactured components or products), at BISSELL's option, free of charge, any defective or malfunctioning part or product.

BISSELL recommends that the original packaging and evidence of the date of purchase be kept for the duration of the Guarantee period in case the need arises within the period to claim on the Guarantee. Keeping the original packaging will assist with any necessary re-packaging and transportation but is not a condition of the Guarantee.

If for your product is replaced by BISSELL under this Guarantee, the new item will benefit from the remainder of the term of this Guarantee (calculated from the date of the original purchase). The period of this Guarantee shall not be extended whether or not your product is repaired or replaced.

*EXCEPTIONS AND EXCLUSIONS FROM THE TERMS OF THE GUARANTEE

This Guarantee applies to products used for personal domestic use and not commercial or hire purposes. Consumable components such as filters, belts and mop pads, which must be replaced or serviced by the user from time to time, are not covered by this Guarantee.

This Guarantee does not apply to any defect arising from fair wear and tear. Damage or malfunction caused by the user or any third party whether as a result of accident, negligence, abuse, neglect, or any other use not in accordance with the User Guide is not covered by this Guarantee.

An unauthorised repair (or attempted repair) may void this Guarantee whether or not damage has been caused by that repair/attempt.

Removing or tampering with the Product Rating Label on the product or rendering it illegible will void this Guarantee.

SAVE AS SET OUT BELOW BISSELL AND ITS DISTRIBUTORS ARE NOT LIABLE FOR ANY LOSS OR DAMAGE THAT IS NOT FORESEEABLE OR FOR INCIDENTAL OR CONSEQUENTIAL DAMAGES OF ANY NATURE ASSOCIATED WITH THE USE OF THIS PRODUCT INCLUDING WITHOUT LIMITATION LOSS OF PROFIT, LOSS OF BUSINESS, BUSINESS INTERRUPTION, LOSS OF OPPORTUNITY, DISTRESS, INCONVENIENCE OR DISAPPOINTMENT. SAVE AS SET OUT BELOW BISSELL'S LIABILITY WILL NOT EXCEED THE PURCHASE PRICE OF THE PRODUCT.

BISSELL DOES NOT EXCLUDE OR LIMIT IN ANY WAY ITS LIABILITY FOR (A) DEATH OR PERSONAL INJURY CAUSED BY OUR NEGLIGENCE OR THE NEGLIGENCE OF OUR EMPLOYEES, AGENTS OR SUBCONTRACTORS; (B) FRAUD OR FRAUDULENT MISREPRESENTATION; (C) OR FOR ANY OTHER MATTER WHICH CANNOT BE EXCLUDED OR LIMITED UNDER LAW.

Consumer Care

If your BISSELL product should require service or to claim under our limited guarantee, please contact us as follows:

Website:

www.BISSELL.com

Email:

Customers.Bitco@bissell.com

Write:

BISSELL International Trading Company B.V.
Stadhouderskade 55
1072 AB Amsterdam
The Netherlands

Visit the BISSELL website: www.BISSELL.com

When contacting BISSELL, have model number of cleaner available.

Please record your Model Number: _____ Please record your Purchase Date: _____

NOTE: Please keep your original sales receipt. It provides proof of the date of purchase in the event of a Guarantee claim. See Guarantee for details.



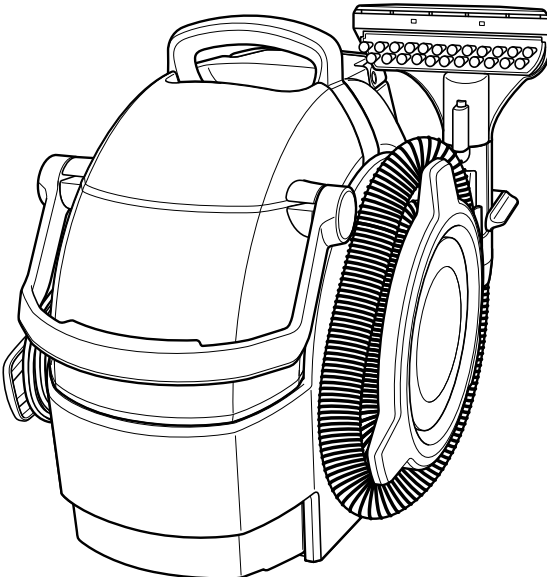
©2016 BISSELL Homecare, Inc
Grand Rapids, Michigan
All rights reserved. Printed in China
Part Number 161-1104 11/16
Visit our website at: www.BISSELL.com



SPOTCLEAN PRO

1558

EN	USER GUIDE	LT	NAUDOTOJO VADOVE
AR	دخستس ملال ليدد	LV	LIETOTĀJA ROKASGRĀMATĀ
BG	USER GUIDE	MK	УПАТСТВО ЗА УПОТРЕБА
BS	KORISNIČKOM PRIRUČNIKU	ML	PANDUAN PENGGUNA
CHS	使用手册	NL	GEbruikersHANDLEIDING
CHT	使用指南	NO	BRUKERVEILEDNING
CZ	UŽIVATELSKÁ PŘÍRUČKA	PL	INSTRUKCJA OBSŁUGI
DE	BENUTZERHANDBUCH	PT	MANUAL DE UTILIZAÇÃO
DK	BRUGERVEJLEDNING	RO	GHID DE UTILIZARE
EL	ΟΔΗΓΟ ΧΡΗΣΗΣ	RU	РУКОВОДСТВО ПОЛЬЗОВАТЕЛЯ
ES	GUÍA DEL USUARIO	SE	ANVÄNDARHANDBOK
ET	JUHENDIS	SK	ROUŽÍVATELSKÁ PŘÍRUČKA
FI	KÄYTTÖOPAS	SL	UPORABNIŠKEM PRIROČNIKU
FR	MANUEL DE L'UTILISATEUR	SR	KORISNIČKOM UPUTSTVU
HR	KORISNIČKI VODIČ	TA	பயனரின் கையேடு
HU	HASZNÁLATI ÚTMUTATÓ	TH	คู่มือผู้ใช้
IT	GUIDA PER L'UTENTE	TR	KULLANICI KILAVUZU
KO	사용 설명서		





..... 3



..... 6



..... 4



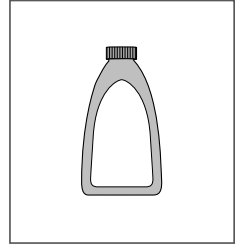
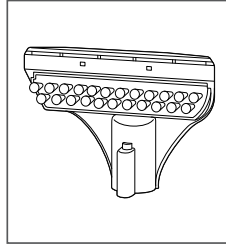
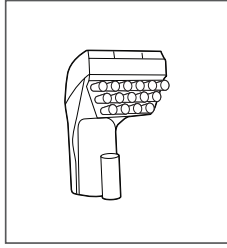
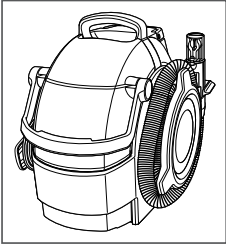
..... 8

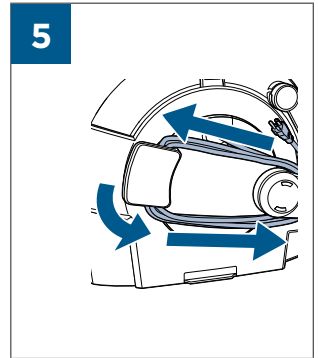
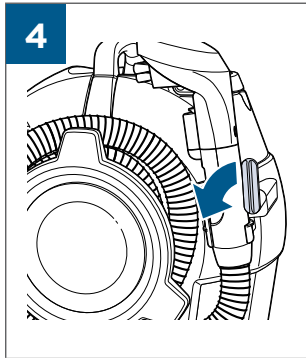
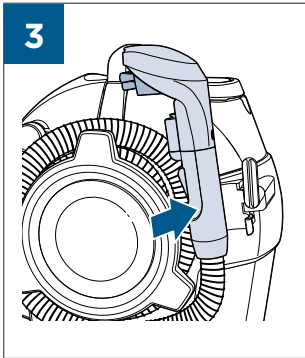
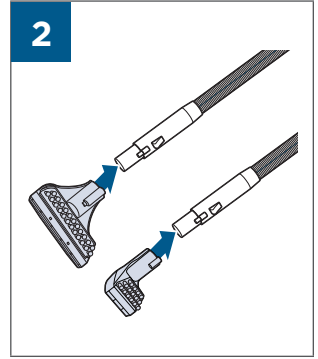
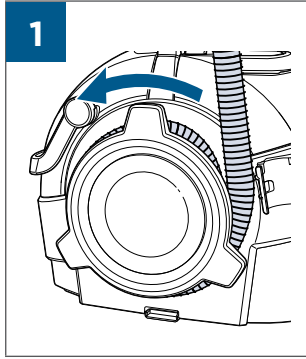


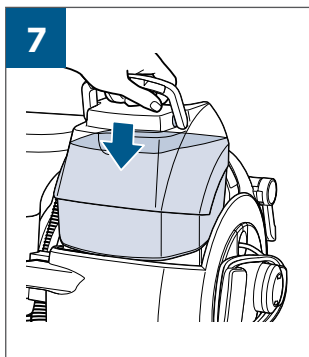
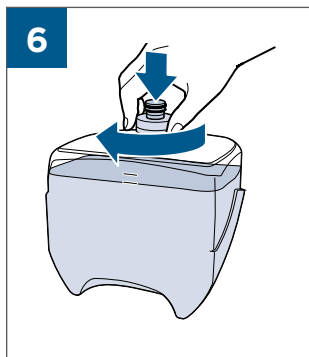
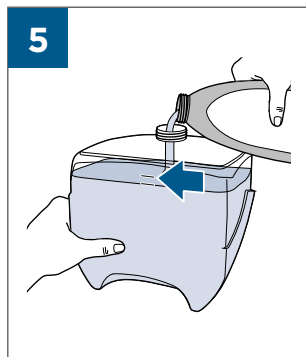
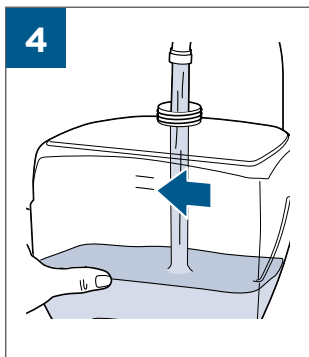
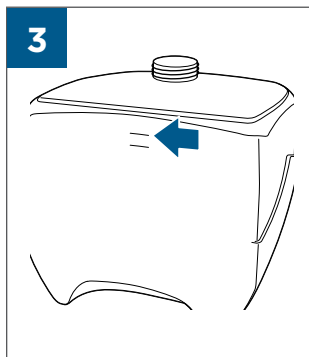
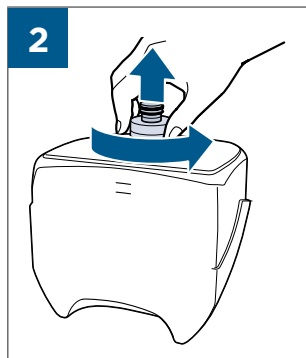
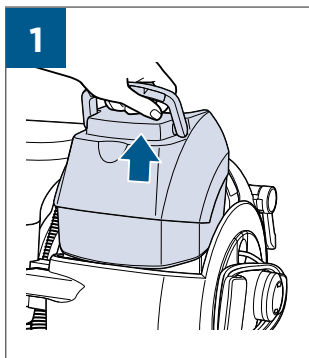
..... 5



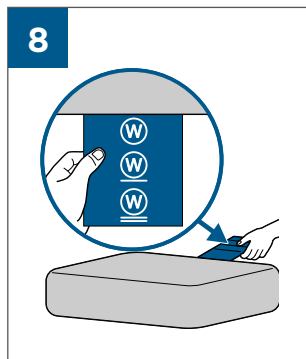
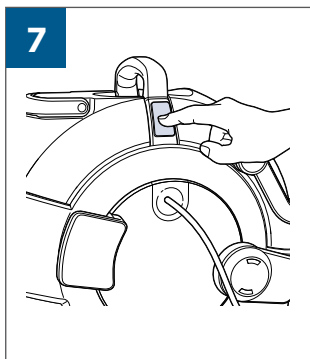
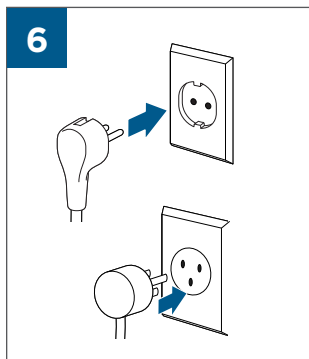
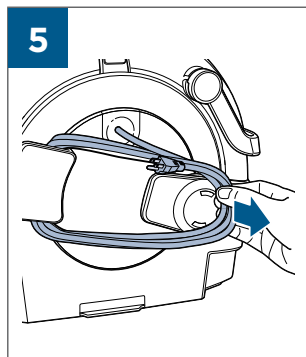
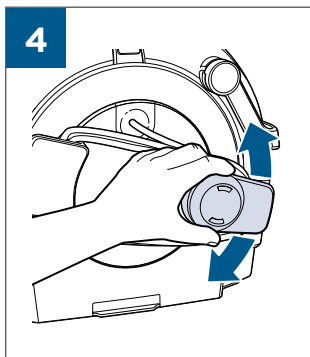
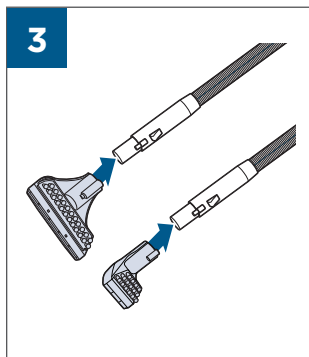
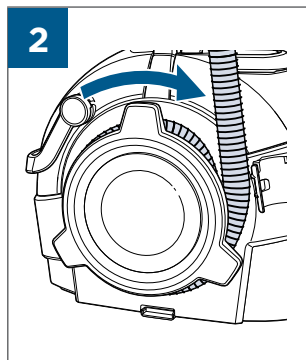
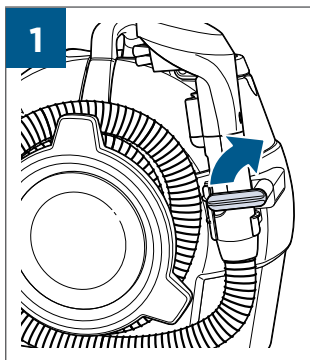
..... 9

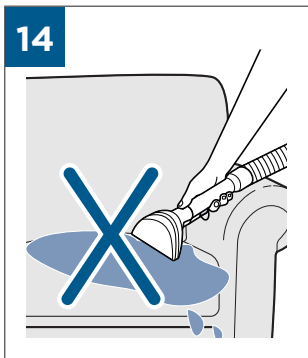
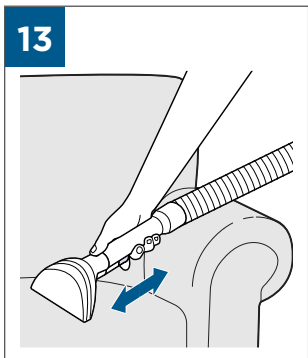
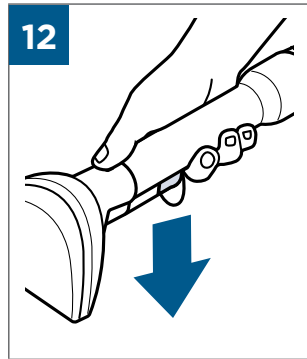
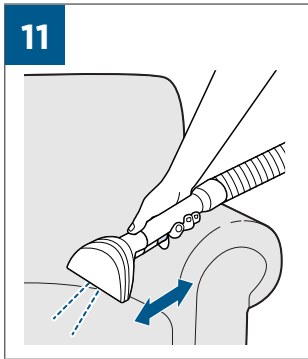
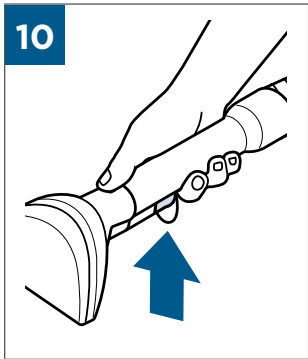


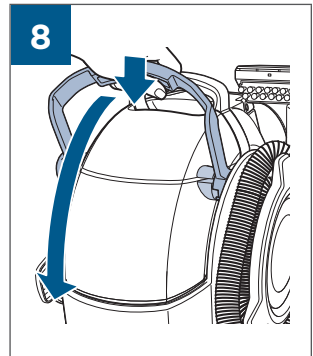
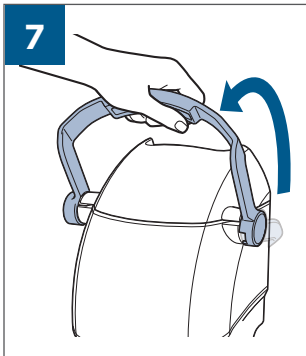
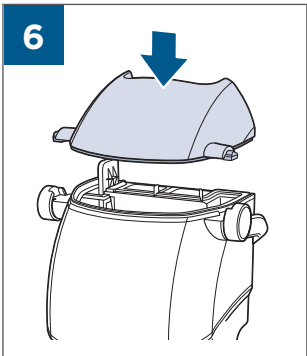
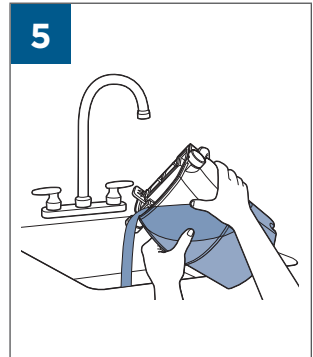
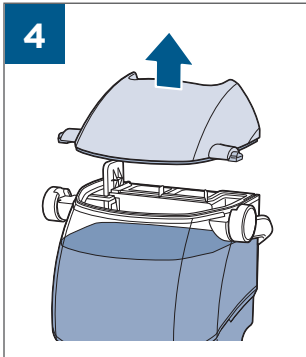
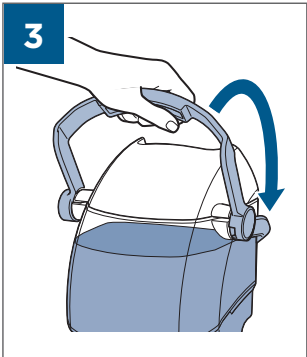
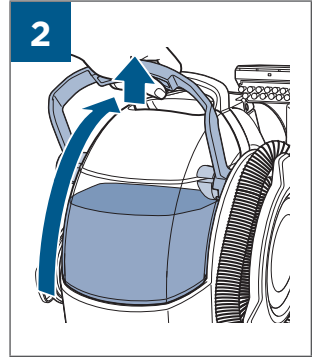
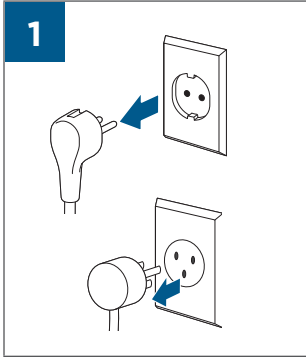
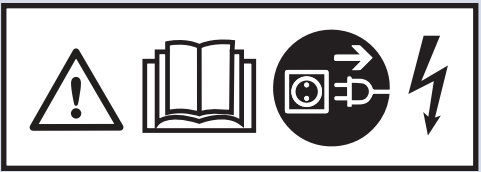
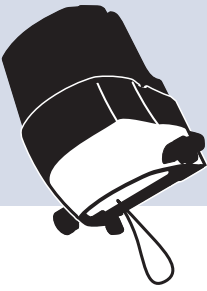


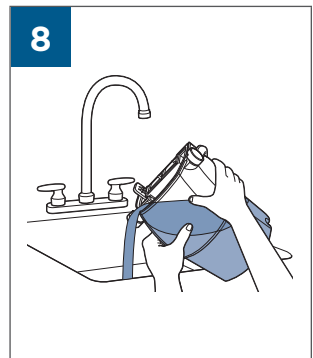
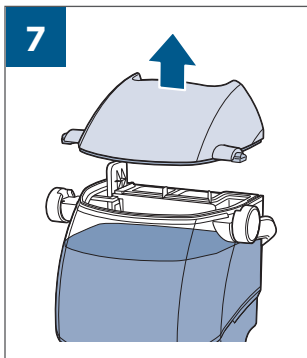
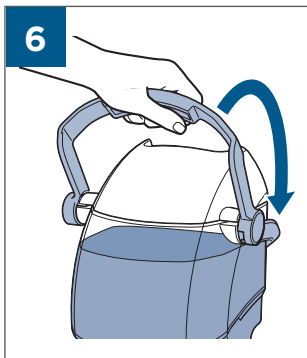
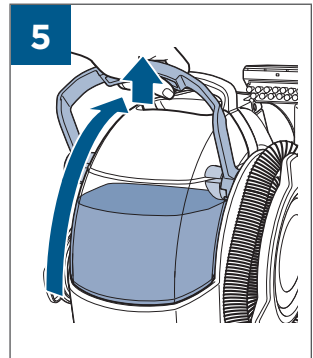
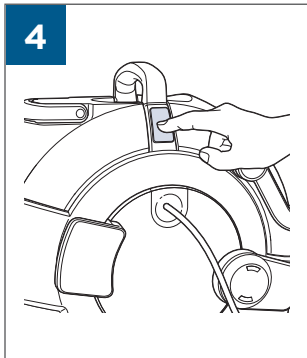
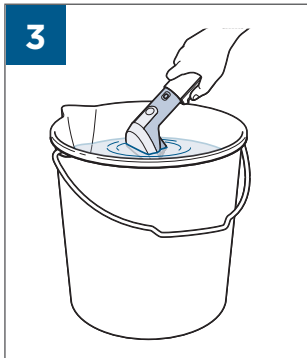
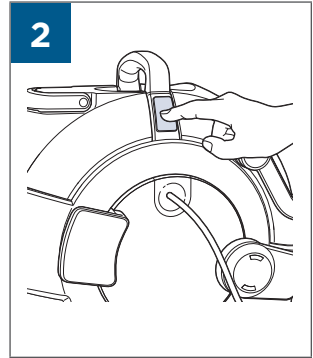
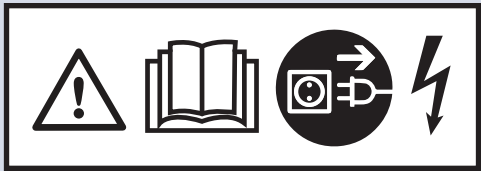


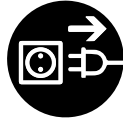
Wash & Remove, Wash & Protect, Wash & Refresh, and Oxygen Boost



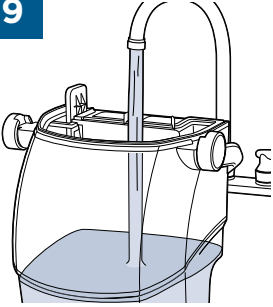








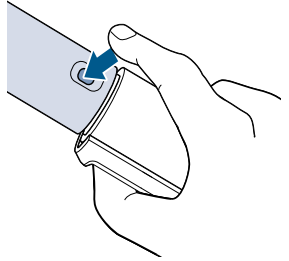
9



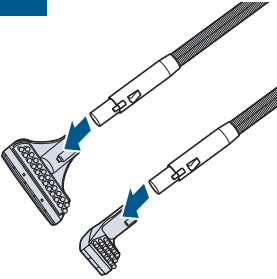
10



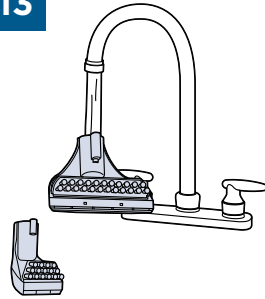
11



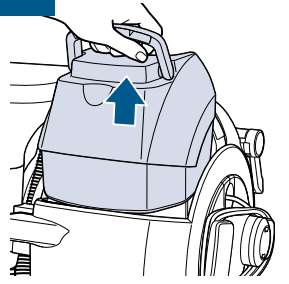
12



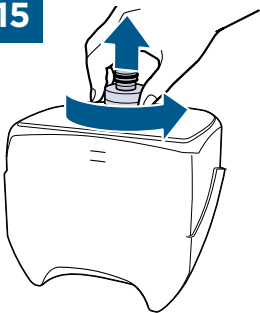
13



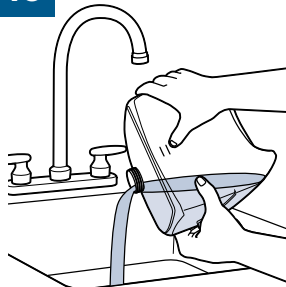
14



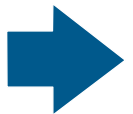
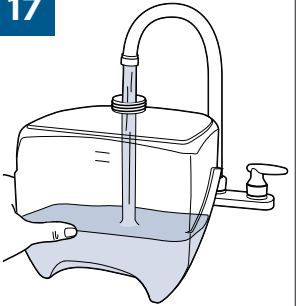
15

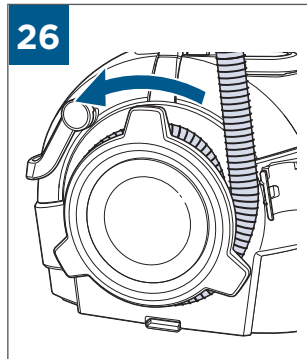
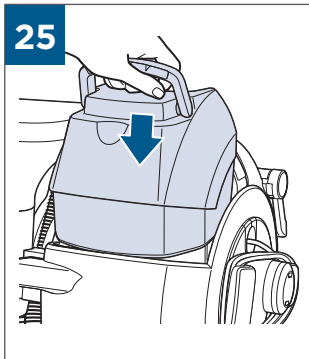
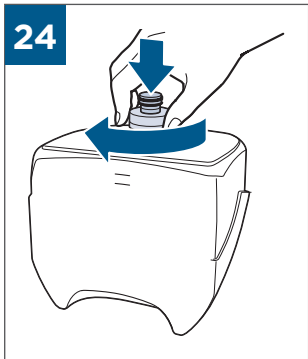
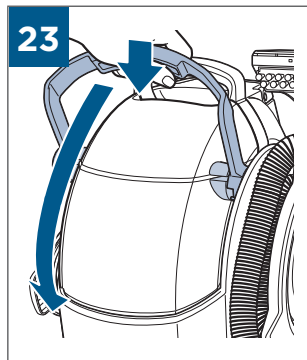
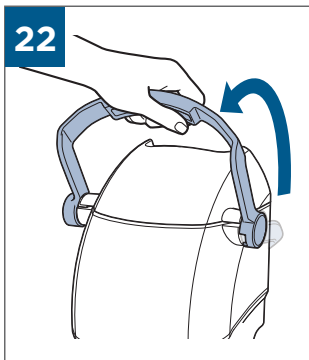
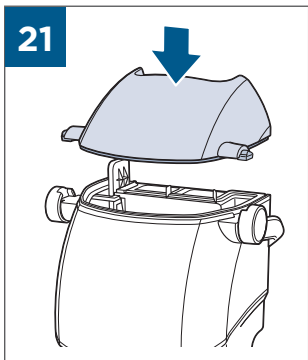
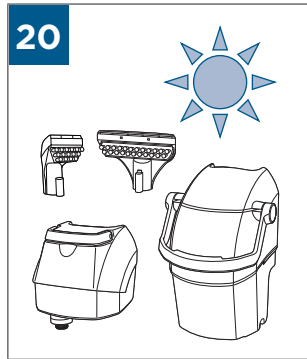
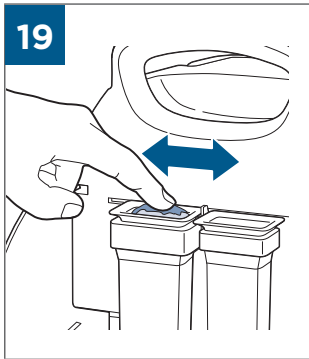
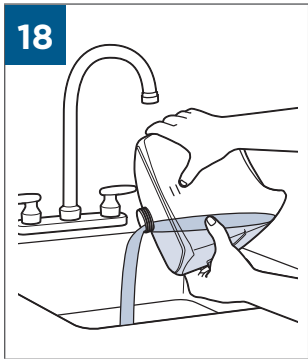
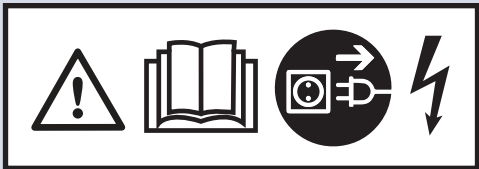


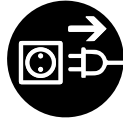
16



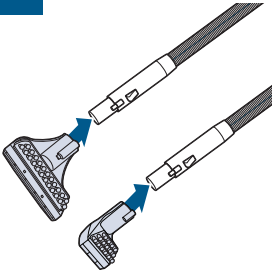
17



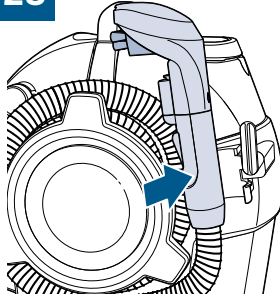




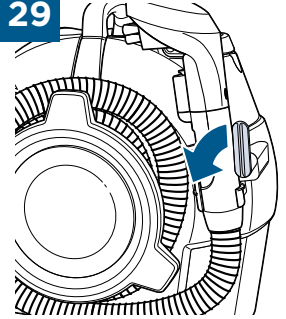
27



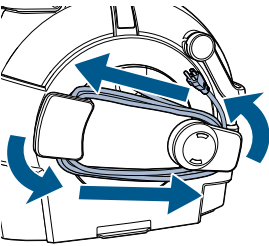
28



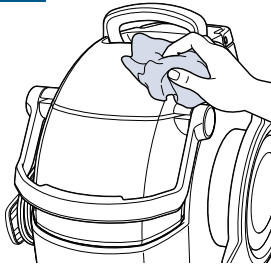
29



30



31



©2018 BISSELL Homecare, Inc.
Grand Rapids, Michigan
All rights reserved. Printed in China
Part Number 161-6274 10/18 Rev.C
Visit our website at: www.BISSELL.com