

Shark

StainStriker

PX200-BRUGERVEJLEDNINGSERIE

BEDIENUNGSANLEITUNG

INSTRUCTION BOOKLET

MANUAL DE INSTRUCCIONES

MANUEL D'UTILISATION

LIBRETTO DI ISTRUZIONI

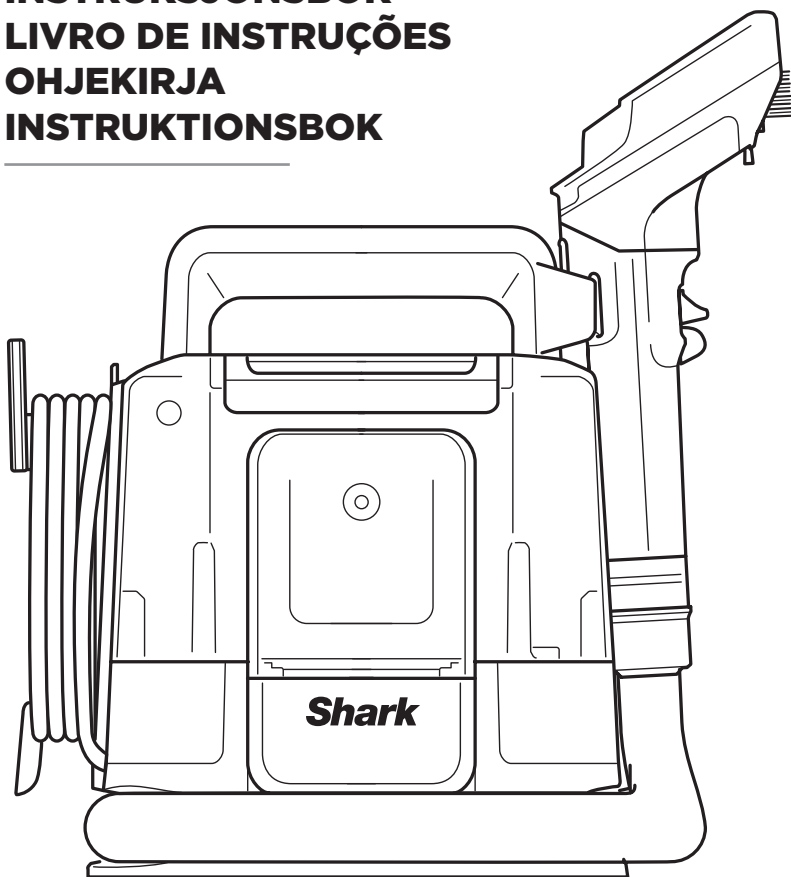
INSTRUCTIEBOEK

INSTRUKSJONSBOK

LIVRO DE INSTRUÇÕES

OHJEKIRJA

INSTRUKTIONSBOK



Scan QR to view
HOW-TO VIDEOS
and more.



CONTENTS

Important Safety Instructions	3
What's Included	4
Getting Started	5
How to use the Hand Tool	6
Maintenance	7
Cleaning the Dirty Water Tank	7
Cleaning the Hand Tools	7
Unclogging the System	7
Storage	8
Cleaning & Drying Guide	8
Shark Cleaning Solutions	9
Technical Specifications	9
Troubleshooting	10
Guarantee	11



This marking indicates that this product should not be disposed with other household wastes. To prevent possible harm to the environment or human health from uncontrolled waste disposal, recycle it responsibly to promote the sustainable reuse of material sources. To return your used device, please use the return and collection systems or contact the retailer where this product was purchased. They can take this product for environmentally safe recycling.

IMPORTANT SAFETY INSTRUCTIONS - FOR HOUSEHOLD USE ONLY

READ CAREFULLY BEFORE USE - SAVE THESE INSTRUCTIONS. FOR HOUSEHOLD USE ONLY;
READ ALL INSTRUCTIONS BEFORE USING THIS SPOT CARPET/UPHOLSTERY CLEANER

⚠ WARNING REDUCE THE RISK OF FIRE, ELECTRIC SHOCK, INJURY, OR PROPERTY DAMAGE:

This appliance is not intended for use by persons (including children) with reduced physical, sensory or mental capabilities, or lack of experience and knowledge, unless they have been given supervision or instruction concerning use of the appliance by a person responsible for their safety. Children should be supervised to ensure that they do not play with the appliance.

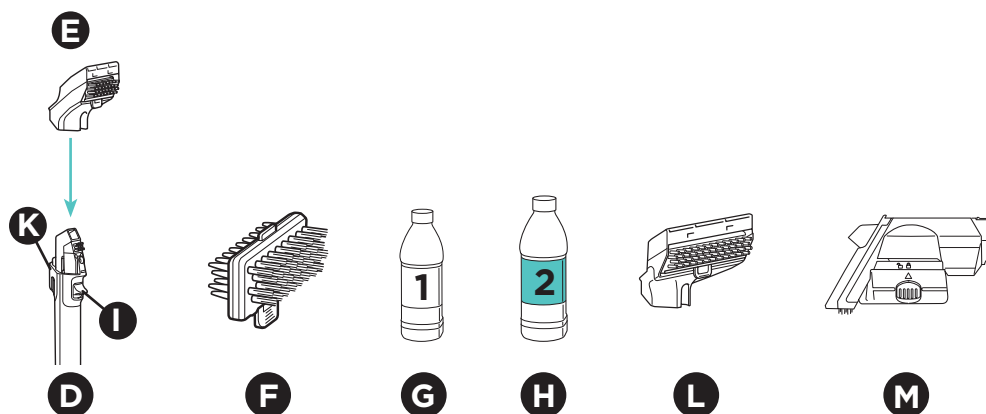
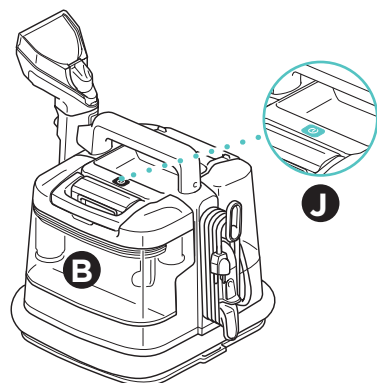
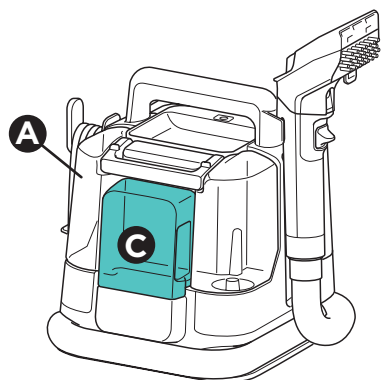
- Improper connection of the equipment grounding conductor can result in a risk of electric shock. Check with a qualified electrician or service person if you are in doubt as to whether the socket is properly grounded.
- DO NOT** modify the plug provided with the appliance.
- DO NOT** force into socket or try to modify it.
- DO NOT** pull, close door, or wrap around sharp edges or corners on the cord. To unplug, grasp the plug, not the cord. Keep cord away from heated surfaces.
- To reduce the risk of fire or electric shock due to internal component damage, use ONLY Shark Deep Clean Pro/Oxy Multiplier formula in the correct tanks, as intended for use with this appliance. See instructions within this guide.
- The areas around where you are cleaning may become wet, use care to avoid slipping and falling.
- Use care when removing and reattaching the hand tool to the Spot Cleaner to avoid accidental activation of the cleaning solution.
- DO NOT** spray solution on your skin or in your eyes.
- DO NOT** fill solution tanks while installed on the appliance. Remove before filling.
- DO NOT** operate if there is any wetting of the exterior surfaces of the appliance. If the appliance is wet, dry with a cloth before use.
- To reduce the risk of shock and unintended operation, turn off and unplug Spot Cleaner before any adjustment, cleaning, maintenance, or troubleshooting.
- Before each use, carefully inspect each part for damage or wear. If a part is damaged or worn out, immediately discontinue use.
DO NOT use if any part is damaged or if Spot Cleaner is not working as it should, has been dropped, left outdoors, or dropped into water.
- DO NOT** immerse or spray water on the body of the Spot Cleaner. To clean the surface, wipe with a dry cloth.
- DO NOT** allow to be used by children or as a toy. Close supervision is necessary when used near children.
- DO NOT** handle plug or Spot Cleaner with wet hands.
- DO NOT** use without the dirty water tank, clean solution tank, or filter in place.
- Use only identical Shark® replacement parts. Only use Shark® branded filters and accessories.
- If plugging unit into extension cord, ensure cord is no more than 15m to prevent damage to the motor.
- DO NOT** place Spot Cleaner on uneven surfaces.
- DO NOT** use to pick up:
 - Large objects
 - Hard or sharp objects (glass, nails, screws, or coins)
 - Large quantities of dust (e.g., drywall dust).
 - Smoking or burning objects (hot coals, cigarette butts, or matches)
 - Flammable or combustible materials (lighter fluid, petrol, or kerosene)
 - Toxic materials (chlorine bleach, ammonia, or drain cleaner)
- DO NOT** use in the following areas:
 - Poorly lit areas
 - Outdoor areas
 - Spaces that are enclosed and may contain explosive or toxic fumes or vapors (lighter fluid, petrol, kerosene, paint, paint thinners, mothproofing substances, or flammable dust).

DO NOT: Engage spray trigger unless pointing at the affected area. **WARNING:** May still spray when the unit is powered off.

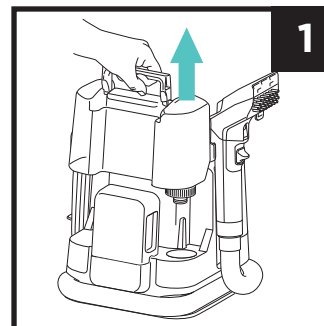
SAVE THESE INSTRUCTIONS

PARTS

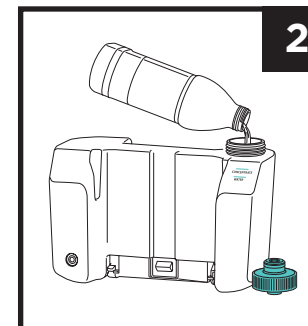
- A** Deep Clean Pro Tank
- B** Dirty Water Tank
- C** StainStriker Tank
- D** Crevice Tool
- E** Tough Stain Tool
- F** 2x Reversible Bristles
- G** 177ml Deep Clean Pro Formula
- H** 355ml OXY Multiplier Formula
- I** Spray Trigger
- J** Power Button
- K** Detach Button
- L** Wide Tough Stain Tool*
- M** Pet Stain Trapping Tool*



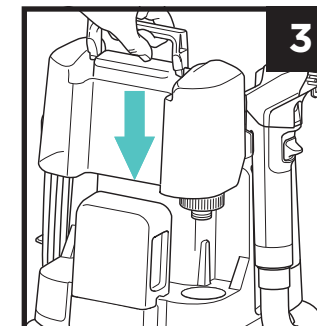
GETTING STARTED



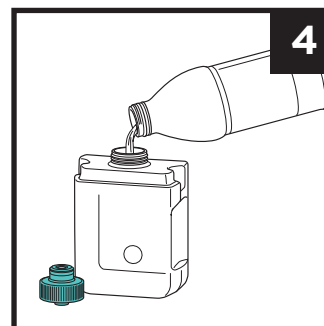
1. Detach the Deep Clean Pro Tank from the unit. Turn the tank over, unscrew cap and remove.



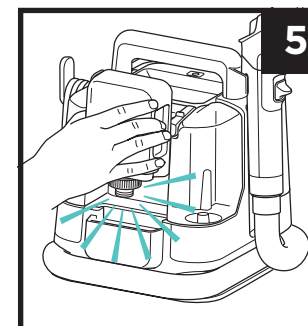
2. Add water to the Deep Clean Pro Tank up to the Water fill line. Then add Deep Clean Pro formula to the Concentrate fill line.



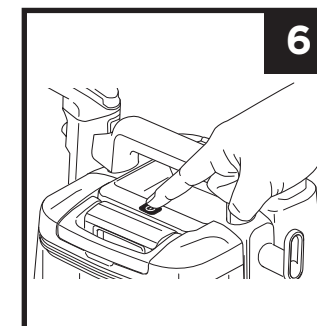
3. Replace the cap, then reinstall the tank until it clicks into place.



4. Detach the StainStriker tank from the unit and turn over. Unscrew the cap and pour the StainStriker formula into the tank.



5. Replace the cap and reinstall the tank until it clicks into place.



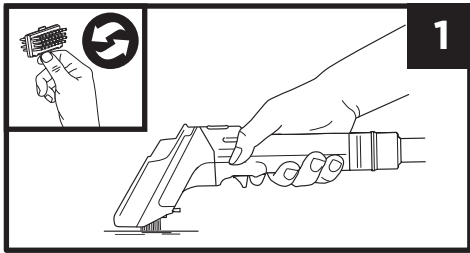
6. Unwrap the power cable and plug into a power socket. Turn **ON** unit to begin cleaning.

* Tools sold with the Pet model PX200EUT (or sold separately)

NOTE: Not all accessories come with all units. Tools may vary by model. For additional accessories available, please visit www.sharkclean.eu

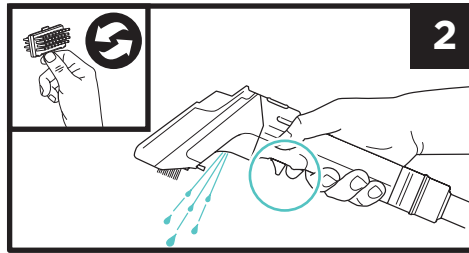
IMPORTANT: Vacuum with traditional vacuum cleaner first before using Stain Striker. Use **ONLY** Shark branded cleaning solutions, Deep Clean Pro/Oxy Multiplier.

WET STAIN CLEANING



1. For Wet Stains, follow the Stain Guide located on the hand tool. Turn ON using the power button and vacuum up the liquid mess. Spray the stain area. Scrub with the bristles, then tilt hand tool forward and drag across the stain area to extract liquid. Repeat if needed. To avoid longer dry times, do not over spray.

DRY STAIN CLEANING



2. For Dry stains, follow the Stain Guide located on the hand tool. Turn ON using the power button. Scrub the stained area, then spray and scrub again, then tilt hand tool forwards and drag across the stain area to extract liquid. Repeat if needed. To avoid longer dry times, do not over spray.

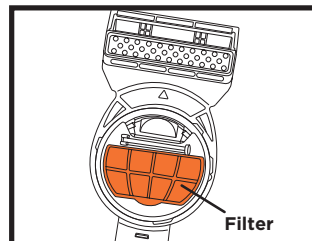
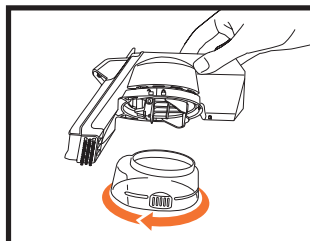
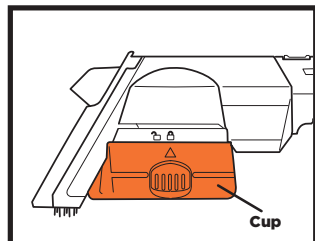
Note: For hard to reach areas, tool can be used without a hand tool attachment using only the crevice tool set up.

Tip: Choosing the bristles - The rubber bristles are best suited for more delicate surfaces and upholstery. The tough bristles are ideal for stubborn agitation on hard wearing surfaces.

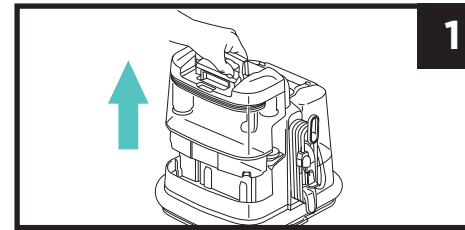
PET STAIN TRAPPING TOOL

The Shark Pet Stain Trapping Tool is included with select models. This extracts unhygienic messes, preventing the mess from reaching the hose and the interior of the unit. **DO NOT** use the tool to remove pet hair. To use, spray the wet mess, then extract it as advised above. To avoid oversaturating, do not over spray. **DO NOT** exceed the **MAX FILL** line on the Pet Tool Cup.

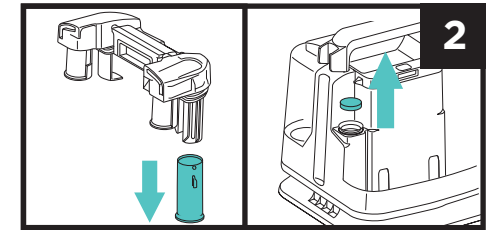
Keep the tool level, without tipping to prevent the mess from reaching the hose. After use, turn off the power of the main unit and empty the tool cup where appropriate. Wash the cup, filter, and the rest of the tool thoroughly with soap and water after each use.



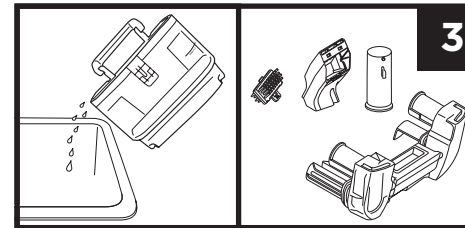
MAINTENANCE



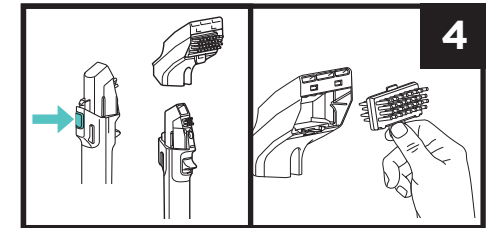
1. Detach the dirty water tank. Keeping the tank upright and set down on a level surface. Push the handle all the way back until it clicks, then lift off the lid.



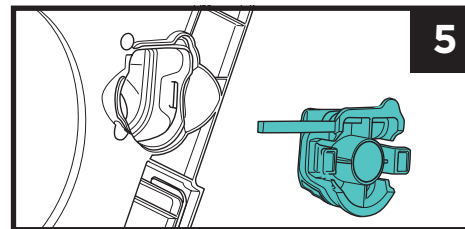
2. Clean the float valve and make sure it can move freely. Remove the foam filter from the unit whilst cleaning.



3. Suitably pour away the dirty liquid from the dirty water tank, tapping off any loose debris. Clean off any other debris on the hand tools, bristles, lid and float valve. Rinse all parts thoroughly with soap and water and allow to air-dry completely before reinstalling.



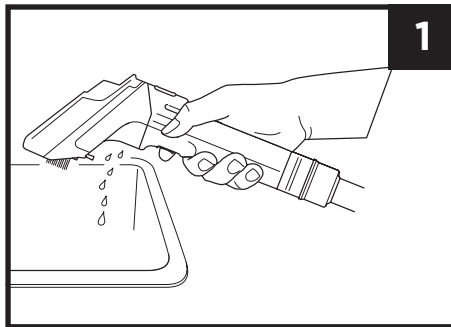
4. Detach the hand tool by pressing the release button. Remove the cover from the hand tool to clean the air path. Wash the bristles on the hand tool thoroughly.



5. To clear any clogged debris, remove the connecting clip on the bottom of the unit. Clear all debris, then close the door.

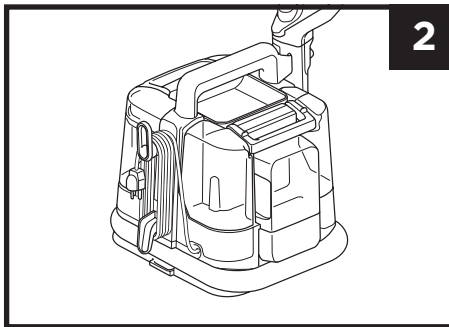
NOTE: Clean unit after every use to avoid odours, bacteria, and mould.

STORAGE



1

1. Unplug the unit and place it near a sink, toilet, or drain to empty the remaining liquid from the attached Tool. Clean the unit and all parts (See Maintenance).



2

2. When cleaning is complete and all parts have dried, reattach all the tools. Wrap up the power cord. Wrap the hose around the base of the unit and store the hand tool in its holder.

CLEANING & DRYING GUIDE

CLEANING:

- When applying the cleaning solution, only cover the stain at the beginning of the cleaning process. Avoid oversaturating the area, or continual spraying during cleaning.
- For older and tougher stains, allow between 5-20 minutes for the cleaning solution to settle into the stain and get to work.
- For fresh stain cleaning, these can be cleaned immediately after spraying.
- Always agitate the area thoroughly to break up the stain. Brush in multiple directions for best results.
- Always ensure to use the correct solution dilution measures when setting up the unit for cleaning.

DRYING:

- When extracting the liquid, pass over the cleaning area in a uniform pattern, applying downward pressure throughout.
- Angle the hand tool to engage the suction vents parallel to the cleaning surface for optimum suction.
- Continue to pass over the cleaning area until liquid is no longer extracting through the hand tool window.

For information,
scan QR to view
HOW-TO VIDEOS.



CLEANING FORMULAS



Shark Deep Clean Pro
Deep carpet cleaning
pro formula for removing
dirt & grime.



Shark OXY Multiplier
Tough stain eliminating
formula for those
stubborn stains & odours.



To order refills of Shark Deep Clean Pro and
Shark OxyMultiplier, scan the QR code.

TECHNICAL SPECIFICATIONS

PX200 Series: 220V - 240V, 60 Hz, 450W

RECORD THIS INFORMATION

Model Number: _____

Date of Purchase: _____
(Keep receipt)

Store of Purchase: _____

©2024 SharkNinja Operating LLC.
SharkNinja Europe Limited, 1st/2nd Floor Building 3150, Thorpe Park, Century Way, Leeds, England, LS15 8ZB

www.sharkclean.eu

SharkNinja Germany GmbH, Rotfeder-Ring 9, 60327 Frankfurt am Main, Germany

SHARK and STAINSTRIKER are registered trademarks in the European Union of SharkNinja Operating LLC.
Illustrations may differ from actual product.

TROUBLESHOOTING

Problem	Solution
Inconsistent spray or no spray	Ensure there is cleaning solution in both of the solution tanks. Make sure the Deep Clean Pro Tank is installed correctly. Make sure the unit is plugged in and the power is on.
Low suction or no suction	Make sure the dirty water tank is not overfilled and is installed correctly. Check the clog access point underneath the unit and clear any debris trapped inside at the end of the hose. If a cleaning tool is attached, make sure it is connected correctly. Remove any debris from the cleaning attachments.
Unit not turning on	Make sure the unit is plugged in completely. Try a different socket. Ensure On/Off button was pressed.
Liquid leaking from unit	The dirty water tank may be overfilled. Make sure the dirty water tank and the Deep Clean Pro Tank are both installed correctly. Make sure the float valve in the dirty water tank is not stuck. Make sure the unit is on a stable, flat surface.
Solution tanks leaking	Make sure the caps on the solution tanks are tightened fully. Make sure both tanks are installed correctly and the caps have clicked into place.

THREE (3) YEAR LIMITED WARRANTY

When a consumer buys a product in Europe, they get the benefit of legal rights relating to the quality of the product (your statutory rights). You can enforce these rights against your retailer. However, at Shark® we are so confident about the quality of our products that we give you an additional manufacturer's guarantee of up to three years (2-year standard plus 1 on registration). These terms and conditions relate to our manufacturer's guarantee only - your statutory rights are unaffected.

The conditions below describe the prerequisites and scope of our guarantee. They do not affect your statutory rights or the obligations of your retailer and your contract with them.

Shark® Guarantees

Your Shark unit constitutes a sizeable investment. Your new Spot Cleaner needs to work properly for as long as possible. The guarantee it comes with is an important consideration - and reflects how much confidence the manufacturer has in its product and manufacturing quality.

Every Shark machine comes with a free parts and labour guarantee. You'll also find online support at sharkclean.eu

How do I register my Shark guarantee?

You can register your guarantee online within 28 days of purchase. To save time, you'll need the following information about your Spot Cleaner:

- Date you purchased the unit (receipt or delivery note).

IMPORTANT:

- The guarantee will only cover your product from the date of purchase.
- Please keep your receipt at all times. Should you need to use your guarantee we will need your receipt to verify the information you have supplied to us is correct. The inability to produce a valid receipt may invalidate your guarantee.

What are the benefits of registering my free Shark guarantee?

When you register your guarantee we'll have your details to hand if we ever need to get in touch.

You can also receive tips and advice on how to get the best out of your Shark unit and hear the latest news about new Shark® technology and launches. If you register your guarantee online, you'll get instant confirmation that we've received your details.

How long are new Shark machines guaranteed for?

Our confidence in our design and quality control means that your new Shark unit is guaranteed for a total of three years.

What is covered by the free Shark guarantee?

Repair or replacement of your Shark machine (at Shark's discretion), including all parts and labour. A Shark guarantee is in addition to your legal rights as a consumer.

What is not covered by the free Shark guarantee?

When you register your guarantee we'll have your details to hand if we ever need to get in touch.

You can also receive tips and advice on how to get the best out of your Shark unit and hear the latest news about new Shark® technology and launches. If you register your guarantee online, you'll get instant confirmation that we've received your details.

1. Normal wear and tear of wearable parts (such as accessories). Replacement parts are available for purchase at sharkclean.eu
2. Damage caused by misuse, abuse, negligent handling, failure to perform required maintenance or damage due to mishandling in transit.
3. Damage caused by maintenance not authorised by Shark.

Where can I buy genuine Shark spares and accessories?

Shark spares and accessories are developed by the same engineers who developed your Shark unit. You'll find a full range of Shark spares and replacement parts/accessories for all Shark machines at sharkclean.eu

Please remember that damage caused by the use of non-Shark spares may not be covered under your guarantee.

INDHOLDSFORTEGNELSE

Vigtige sikkerhedsanvisninger	13
Dette er inkluderet	14
Kom godt i gang	15
Sådan bruges håndredskabet	16
Vedligeholdelse	17
Rengøring af tanken med snavset vand	17
Rengøring af håndredskaberne	17
Rensning af systemet	17
Opbevaring	18
Rengørings- og tørvejledning	18
Shark rengøringsløsninger	19
Tekniske specifikationer	19
Fejlfinding	20
Garanti	20

Denne mærkning angiver, at dette produkt ikke må bortskaffes sammen med andet husholdningsaffald. For at forhindre mulig skade på miljøet eller folkesundheden fra ukontrolleret bortskaffelse af affald skal produktet genbruges ansvarligt for at fremme bæredygtig genanvendelse af materialekilder. Ved aflevering af dit brugte apparat bedes du anvende de tilgængelige returnerings- og indsamlingssystemer eller kontakte forhandleren, hvorfra du har købt dette produkt. De kan sørge for, at produktet bliver genanvendt på en miljømæssig, forsvarlig måde.



Scan QR-koden for at se **INSTRUKTIONSVIDEOER** og meget mere.



VIGTIGE SIKKERHEDSINSTRUKTIONER - KUN TIL PRIVAT BRUG

LÆS OMHYGGELIGT IGENNEM FØR BRUG – GEM DISSE INSTRUKTIONER. KUN TIL PRIVAT BRUG. LÆS ALLE INSTRUKTIONER FØR DU BRUGER DETTE RENGØRINGSMIDDEL TIL AT FJERNE PLETTER PÅ TÆPPER/MØBELSTOF

⚠ ADVARSEL FOR AT REDUCERE FAREN FOR BRAND, ELEKTRISK STØD, PERSON- ELLER EJENDOMSSKADE:

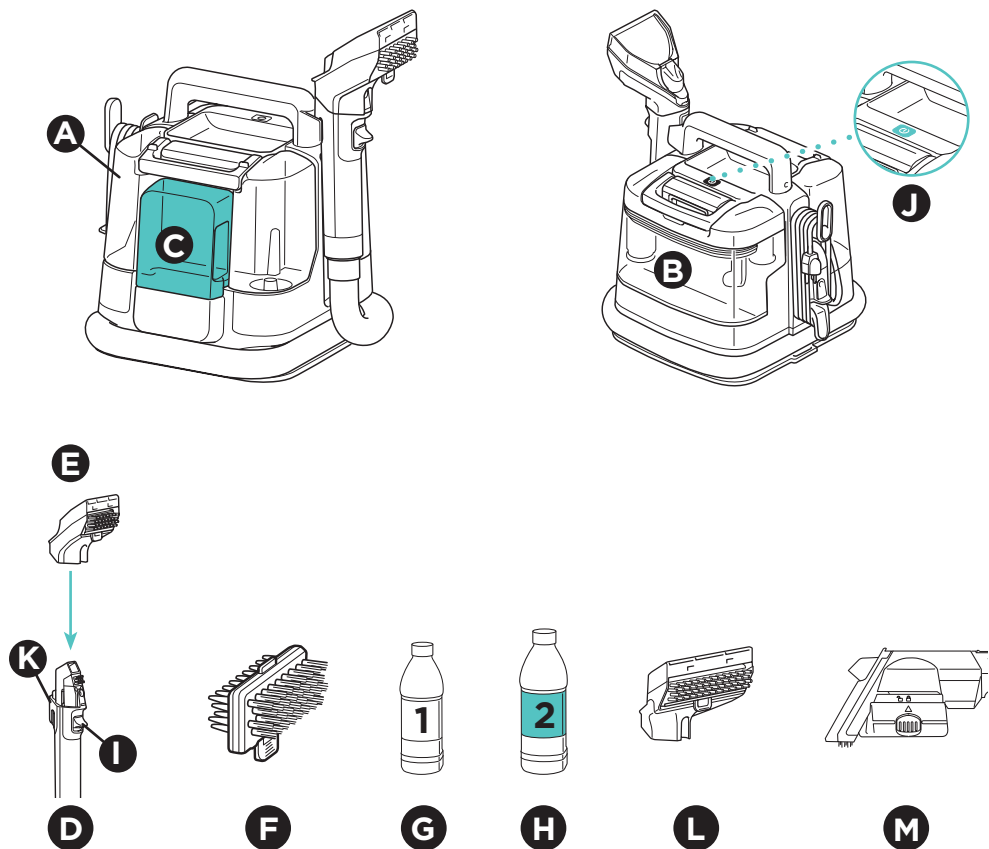
Dette apparat er ikke beregnet til at blive brugt af personer med nedsatte fysiske og mentale evner, nedsat følesans eller manglende erfaring og viden, medmindre de er blevet vejledt eller instrueret i apparatets anvendelse af en person, der er ansvarlig for deres sikkerhed. Børn må ikke anvende eller lege med dette apparat. Opsyn er nødvendigt for at holde apparatet uden for børns rækkevidde under brug. Vi anbefaler, at du læser betjenings- og vedligeholdelsesvejledningen fra gulvproducenten, før du tager apparatet i brug.

1. Forkert forbindelse af udstyrets jordingsleder kan resultere i en risiko for elektrisk stød. Kontrollér med en kvalificeret elektriker eller servicemedarbejder, hvis du er i tvivl om hvorvidt stikket er korrekt jordet.
2. Du **MÅ IKKE** ændre stikket, der leveres med apparatet.
3. Du **MÅ IKKE** tvinge stikket ind i kontakten, og forsøg ikke at ændre det, så det passer.
4. Du **MÅ IKKE** trække eller sno ledningen rundt om skarpe kanter eller hjørner. Døren må ikke lukkes med ledningen i. Tag stikket ud af stikkontakten ved at gribe fat i stikket og ikke i ledningen. Hold ledningen væk fra varme overflader.
5. Brug **KUN** Shark Deep Clean Pro/StainStriker-formularen, som beregnet til brug med dette apparat, i de korrekte tanke for at reducere risikoen for brand eller elektrisk stød på grund af skade på interne komponenter. Se instruktionerne i denne vejledning.
6. Området omkring stedet, hvor du gør rent, kan blive vådt, så vær forsigtig for at undgå at glide eller falde.
7. Vær forsigtig, når du fjerner eller sætter håndværktøjet på pletrenserseren igen for at undgå tilfældig aktivering af rengøringsmidlet.
8. Du **MÅ IKKE** sprøjte opløsninger på din hud eller i dine øjne.
9. Du **MÅ IKKE** fylde opløsningstanke, når de er installeret på apparatet. Fjern før de påfyldes.
10. Brug **IKKE**, hvis ydersiden af apparatet er vådt. Hvis apparatet er vådt, så aftør med en klud før brug.
11. For at reducere risikoen for stød og utilsigtet betjening skal du afbryde strømmen og trække stikket til pletrenserseren ud, inden du foretager eventuel justering, rengøring, vedligeholdelse eller fejlfinding.
12. Inden hver brug skal du omhyggeligt efterse alle dele for skader eller slitage. Hvis en del er beskadiget eller slidt, skal du straks stoppe brugen. **MÅ IKKE** anvendes, hvis nogen del er beskadiget eller pletrenserseren ikke fungerer, som den skal, er blevet tabt, efterladt udendørs eller er blevet nedsænket i vand.
13. Du må **IKKE** dyppe eller sprøjte vand på pletrensersens kabinet. Tør overfladen af med en tør klud for at rengøre den.
14. Må **IKKE** bruges af børn eller som legetøj. Det er nødvendigt at overvåge apparatet nøje, hvis det anvendes i nærheden af børn.
15. Håndtér **IKKE** stikket eller pletrenserseren med våde hænder.
16. Må **IKKE** bruges, uden at tanken med snavset vand, tanken med rengøringsmiddel eller filteret er på plads.
17. Brug kun identiske Shark®-reservedele. Brug kun Shark®-filtre og -tilbehør.
18. Hvis enheden tilsluttes en forlængerledning, må ledningen ikke være længere end 15 m for at undgå skader på motoren.
19. Du **MÅ IKKE** anbringe pletrenserseren på ujævne overflader.
20. Du **MÅ IKKE** anvende støvsugeren til at opsamle:
 - a) Store genstande
 - b) Hårde eller skarpe genstande (søm, skruer eller mønter)
 - c) Store mængder støv (f.eks. murstøv).
 - d) Rygende eller brændende genstande (varme kul, cigaretskodder eller tændstikker)
 - e) Brændbare materialer (lightervæske, benzin eller petroleum)
 - f) Giftige stoffer (klorholdigt blegemiddel, ammoniak eller afløbsrens)
21. Må **IKKE** bruges på følgende områder:
 - a) Steder, der er svagt oplyst
 - b) Udendørsområder
 - c) Steder, der er indelukket og kan indeholde eksplosive eller giftige dampe (lightervæske, benzin, petroleum, maling, malingsfortyndere, mølbekæmpelsesmidler eller brændbart støv).

Du **MÅ IKKE** anvende sprayudløseren, du peger på det berørte område. ADVARSEL: Kan stadig sprøjte, når enheden er slukket.

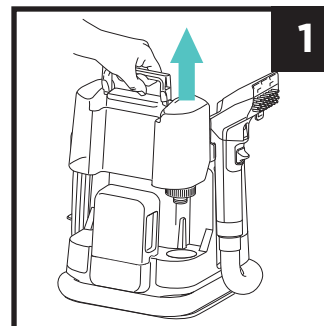
- A** Deep Clean Pro-tank
- B** Tank med snavset vand
- C** StainStriker-tank
- D** Sprækkemundstykke
- E** Værktøj til vanskelige pletter
- F** 2 sæt børster, der kan vendes om
- G** 177 ml Dybderensende professionel formel

- H** 355 ml OXY Multiplier-formel
- I** Sprayudløser
- J** Tænd/sluk-knap
- K** Aftagningsknap
- L** Værktøj til brede vanskelige pletter*
- M** Optagningsværktøj til kæledyrspletter*

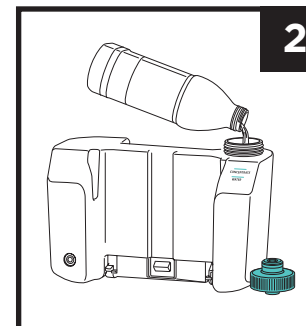


* Værktøjer sælges med kæledyrsmode PX200EUT (eller sælges separat)

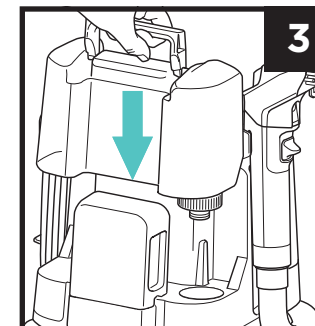
BEMÆRK: Ikke alt tilbehør følger med alle enheder. Værktøjer kan variere efter model. Find yderligere tilbehør på www.sharkclean.eu



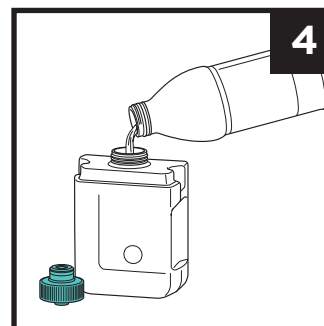
1. Tag Deep Clean Pro-tanken af enheden. Vend tanken om, skru hættten af og fjern.



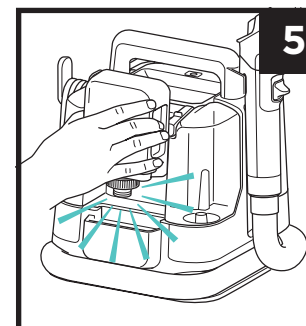
2. Tilsæt vand til Deep Clean Pro- tanken op til vandpåfyldningslinjen. Tilsæt derefter Deep Clean Pro-formlen til koncentrat-påfyldningslinjen.



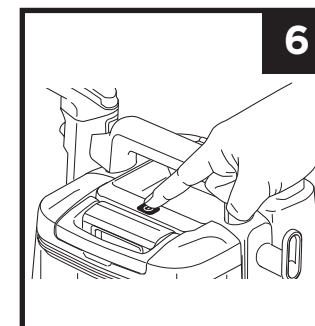
3. Sæt låget på igen, og sæt derefter tanken i igen, indtil den klikker på plads.



4. Tag StainStriker-tanken af enheden og vend den om. Skru hættten af, og hæld StainStriker-formlen i tanken.



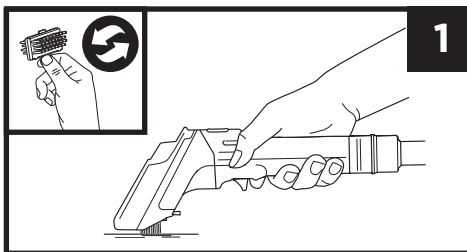
5. Sæt låget på igen, og sæt tanken i igen, indtil den klikker på plads.



6. Vikl ledningen ud, og sæt den i strømstikket. **TÆND** enheden, og begynd rengøringen.

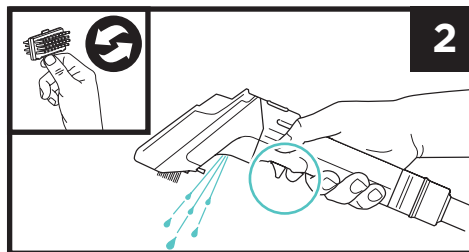
VIGTIGT: Støvsug først med en almindelig støvsuger, før du bruger Stain Striker. Brug **KUN** Shark-brandede rengøringsmidler: Deep Clean Pro/Oxy Multiplier.

RENGØRING AF VÅDE PLETTER



1. Følg pletvejledningen, der er placeret på håndværktøjet ved våde pletter. TÆND ved hjælp af tænd/sluk-knappen og støvsug væsken op. Spray det plettede område. Skrub med børsterne, vip derefter værktøjet fremad og træk hen over det plettede område for at fjerne væsken. Gentag, hvis nødvendigt. Spray ikke for meget for at undgå længere tørretider.

RENGØRING AF TØRRE PLETTER



2. Følg pletvejledningen, der er placeret på håndværktøjet ved tørre pletter. TÆND ved hjælp af tænd/sluk-knappen. Skrub det plettede område, spray og skrub igen, vip derefter værktøjet fremad og træk hen over det plettede område for at fjerne væsken. Gentag, hvis nødvendigt. Spray ikke for meget for at undgå længere tørretider.

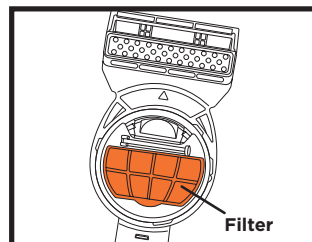
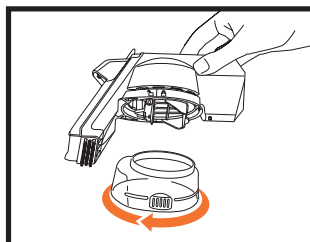
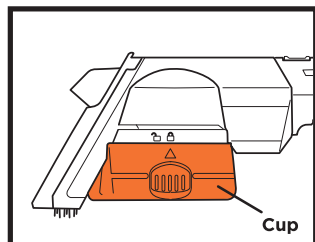
Bemærk: Du kan anvende værktøjet uden håndværktøjstilbehør udelukkende ved hjælp af sprækkemundstykke ved områder, der er svære at nå.

Tip: Valg af børster — gummibørsterne er bedst egnet til mere delikate overflader og møbelstof. De grovere børster er ideelle til kraftige bevægelser på slidstærke overflader.

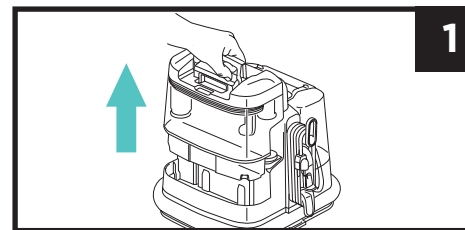
OPSAMLINGSVÆRKTØJ TIL KÆLEDYRSPLETTER

Shark-opsamlingsværktøj til kæledyrspletter følger med udvalgte modeller. Dette fjerner uhygiejniske pletter, forhindrer dem i at nå op i slangen og det indre af enheden. Du **MÅ IKKE** bruge værktøjet til at fjerne kæledyrshår. Ved brug, så spray de våde pletter, og fjern derefter som anvist ovenfor. Spray ikke for meget for at undgå overmætning. Overskrid **IKKE MAKS. PÅFYLDNING**-linjen på kæledyrsværktøjskoppen.

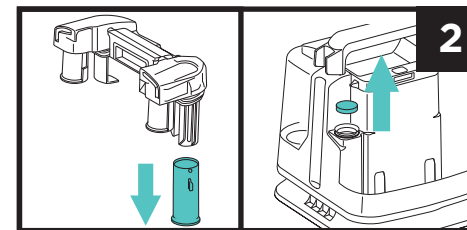
Hold værktøjet lige uden at tippe det, for at undgå, at griseriet når op i slangen. Slå strømmen på hovedenheden fra efter brug og tøm værktøjskoppen ud et passende sted. Vask koppen, filtret og resten af værktøjet grundigt med sæbe og vand efter hver brug.



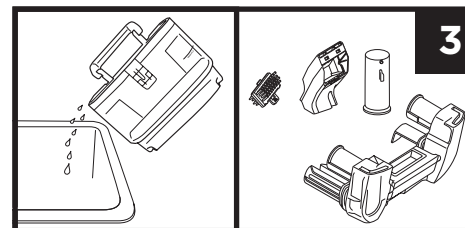
VEDLIGEHOJDELSE



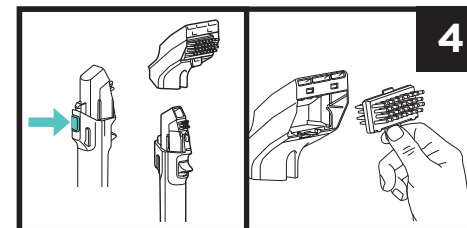
1. Tag tanken med snavsset vand af. Hold tanken oprejst og sæt den ned på en jævn overflade. Skub håndtaget hele vejen tilbage indtil det klikker, tag derefter låget af.



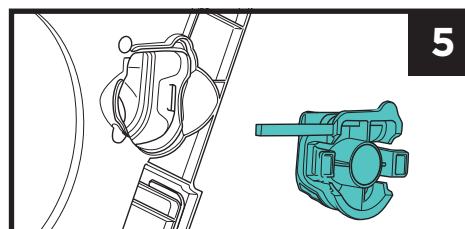
2. Rengør flydeventilen, og sørg for, at den kan bevæge sig frit. Fjern skumfiltret fra enheden, når du rengør den.



3. Hæld den snavsede væske ud af tanken med snavsset vand, og bank eventuelle løse rester af. Fjern alt andet snavs fra håndværktøjet, børsterne, låget og flydeventilen. Skyl alle dele grundigt med vand og sæbe, og lad dem lufttørre helt, før de genmonteres.



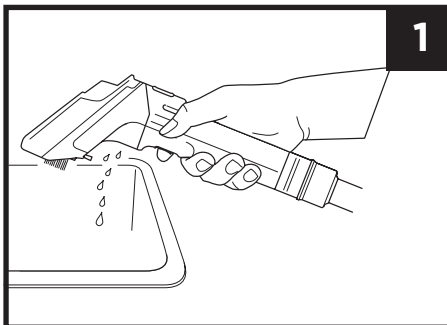
4. Tag håndværktøjet af ved at trykke på udløserknappen. Fjern dækslet fra håndværktøjet for at rengøre luftvejen. Vask børstehårene på håndværktøjet grundigt.



5. For at fjerne tilstoppet snavs skal du fjerne forbindelsesclipsen i bunden af enheden. Fjern alt snavs, og luk derefter døren.

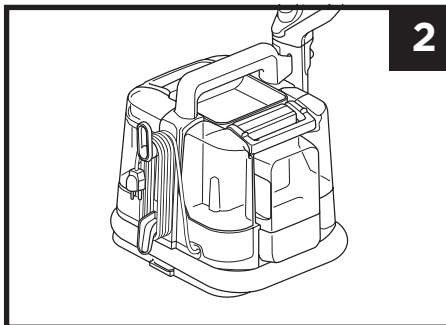
BEMÆRK: Rengør enheden efter hver brug for at undgå lugt, bakterier og mug.

OPBEVARING



1

1. Tag stikket ud af stikkontakten, og anbring enheden i nærheden af en vask, et toilet eller et afløb for at tømme den resterende væske fra det tilsluttede værktøj. Rengør enheden og alle dele (se afsnittene Vedligeholdelse).



2

2. Når rengøringen er færdig, og alle dele er tørret, monteres alle værktøjerne igen. Pak ledningen sammen. Vikl slangen rundt om enhedens bund, og opbevar håndværktøjet i holderen.

RENGØRINGS- OG TØRREVEJLEDNING

RENGØRING:

- Når du anvender rengøringsmidlet, skal du kun dække pletten i begyndelsen af rengøringsprocessen. Undgå at overmætte området eller hele tiden at sprøjte produktet under rengøringen.
- Ved ældre og mere vanskelige pletter skal du give rengøringsmidlet 5-20 minutter til at sætte sig på pletten og begynde at virke.
- Hvis pletterne er friske, kan de rengøres umiddelbart efter brug af spray.
- Sørg altid for at ruske grundigt i området for at løsne pletten. Børst i flere retninger for de bedste resultater.
- Sørg altid for at bruge de korrekte fortyndingsmål, når enheden konfigureres til rengøring.

TØRRING:

- Ved opsugning af væsken, skal du føre den hen over rengøringsområdet i et ensartet mønster og hele tiden trykke nedad.
- Hold håndværktøjet, så sugeåbningerne er parallelle med rengøringsfladen for optimal sugning.
- Fortsæt med at føre den hen over rengøringsområdet, indtil der ikke længere kommer væske ud gennem håndværktøjets åbning.

For information, scan QR-koden for at se **INSTRUKTIONSVIDEOER**.



RENGØRINGSFORMLER



Shark Deep Clean Pro
Professionel formel til dybderensning af tæpper for at fjerne skidt og snavs.



Shark OXY Multiplier
Hårdfør pletfjerningsformel til de genstridige pletter og lugte.



Scan QR-koden for at bestille genopfyldninger af Shark Deep Clean Pro og Shark OxyMultiplier.

TEKNISKE SPECIFIKATIONER

PX200-serien: 220-240V~, 50-60Hz, 450W

GEM DENNE INFORMATION

Modelnummer: _____

Købsdato: _____
(Gem kvittering)

Butik: _____

©2024 SharkNinja Operating LLC.
SharkNinja Europe Limited, 1st/2nd Floor Building 3150, Thorpe Park, Century Way, Leeds, England, LS15 8ZB

www.sharkclean.eu

SharkNinja Germany GmbH, Rotfeder-Ring 9, 60327 Frankfurt am Main, Germany

SHARK og STAINSTRIKER er registrerede varemærker i den Europæiske Union tilhørende SharkNinja Operating LLC. Illustrationerne kan afvige fra det aktuelle produkt.

FEJLFINDING

Problem	Løsning
Ujævn eller ingen spray	Sørg for, at der er rengøringsmiddel i begge opløsningstanke. Sørg for, at Deep Clean Pro-tanken er installeret korrekt. Sørg for, at enheden er sat i stikkontakten, og at strømknappen er tændt.
Lav eller ingen sugning	Sørg for, at tanken med snavset vand ikke er overfyldt, og at den er installeret korrekt. Kontrollér tilstopningsåbningen under enheden, og fjern eventuelt snavs, der sidder fast for enden af slangen. Hvis der er monteret et rengøringsværktøj, skal du sørge for, at det er tilsuttet korrekt. Fjern eventuelt snavs fra rengøringstilbehøret.
Enheden tænder ikke	Sørg for, at enheden er sat helt ind i stikkontakten. Prøv en anden stikkontakt. Sørg for, at der blev trykket på tænd/sluk-knappen.
Væske lækker fra enheden	Tanken med snavset vand kan være overfyldt. Sørg for, at både tanken med snavset vand og Deep Clean Pro-tanken er installeret korrekt. Sørg for, at flydeventilen i tanken med snavset vand ikke sidder fast. Sørg for, at enheden står på en stabil, jævn overflade.
Opløsningstankene lækker	Sørg for, at hætterne på opløsningstankene er spændt fast. Sørg for, at begge tanke er installeret korrekt, og at hætterne er klikket på plads.

TRE (3) ÅRS BEGRÆNSET GARANTI

Forbrugere, der køber et produkt i Europa, drager fordel af de juridiske rettigheder vedrørende produktets kvalitet (dine lovbestemte rettigheder). Du kan gøre disse rettigheder gældende over for forhandleren. Hos Shark® er vi dog så sikre på kvaliteten af vores produkter, at vi giver dig en ekstra producentgaranti på op til tre år (2 år som standard plus 1 år ved registrering). Disse vilkår og betingelser gælder udelukkende vores fabriksgaranti - dine lovbestemte rettigheder påvirkes ikke.

Vilkårene nedenunder beskriver betingelserne og omfanget af vores garanti. Den påvirker ikke dine lovbestemte rettigheder eller din forhandlers forpligtelser og din kontrakt med dem.

Shark®-garantier

Dit Shark-apparat udgør en betydelig investering. Din nye pletreenser skal fungere korrekt så længe som muligt.

Garantien, der følger med apparatet, er vigtig at tage i betragtning, da den afspejler, hvor megen tiltro producenten har til produktet og fremstillingskvaliteten. Hvert Shark®-apparat leveres med en garanti, der omfatter gratis dele og arbejdskraft. Du kan også finde onlinesupport på sharkclean.eu

Hvordan registrerer jeg min Shark-garanti?

Du kan registrere din garanti online inden for 28 dage efter købet. For at spare tid skal du vide følgende om din pletreenser:

- Dato for købet af apparatet (kvittering eller leveringseddelen).

VIGTIGT:

- Garantien vil kun dække dit produkt fra købsdatoen.
- Gem altid kvitteringen. Kvitteringen skal bruges til at bekræfte de oplysninger, du har givet os, hvis der skulle være behov for at bruge garantien. Hvis en gyldig kvittering ikke kan fremvises, kan det gøre din garanti ugyldig.

TRE (3) ÅRS BEGRÆNSET GARANTI

Hvad er fordelene ved at registrere min gratis Shark®-garanti?

Når du registrerer din garanti, har vi dine oplysninger ved hånden, hvis der nogensinde skulle være behov for at komme i kontakt med hinanden. Du kan også modtage råd om, hvordan du får det bedste ud af dit Shark-apparat og høre de seneste nyheder om ny Shark®-teknologi og udgivelser. Registreres garantien online, får du straks bekræftelse på, at vi har modtaget dine oplysninger.

Hvor længe er nye Shark-apparater dækket af garantien?

Vores tiltro til vores design og kvalitetskontrol betyder, at dit nye Shark-apparat er garanteret i hele tre år.

Hvad dækker den gratis Shark-garanti?

Reparation eller udskiftning af Shark-apparatet (efter Sharks valg) inklusive alle dele og alt arbejde. En Shark-garanti er en udvidelse af dine lovbestemte rettigheder som forbruger.

Hvad dækker den gratis Shark-garanti ikke?

Når du registrerer din garanti, har vi dine oplysninger ved hånden, hvis der nogensinde skulle være behov for at komme i kontakt med hinanden.

Du kan også modtage råd om, hvordan du får det bedste ud af dit Shark-apparat og høre de seneste nyheder om ny Shark®-teknologi og udgivelser.

Registreres garantien online, får du straks bekræftelse på, at vi har modtaget dine oplysninger.

1. Normal slitage af sliddele (såsom tilbehør). Reservedele kan købes på sharkclean.eu
2. Skader forårsaget af forkert brug, misbrug, uagtsom håndtering, manglende udførelse af nødvendig vedligeholdelse eller skade på grund af forkert håndtering under transport.
3. Skader forårsaget af vedligeholdelse, der ikke er godkendt af Shark.

Hvor kan jeg købe originale Shark-dele og tilbehør?

Shark-dele og tilbehør er udviklet af de samme teknikere, der har udviklet Shark-apparatet. Du finder et komplet udvalg af Shark-reservedele og -tilbehør til alle Shark-apparater på sharkclean.eu

Husk, at skader forårsaget af brug af dele, der ikke kommer fra Shark, muligvis ikke er dækket af din garanti.

INHALTSVERZEICHNIS

Wichtige Sicherheitshinweise	23
Lieferumfang	24
Erste Schritte	25
Verwendung des Handgeräts	26
Wartung	27
Reinigen des Schmutzwasserbehälters	27
Reinigen des Handgeräts	27
Beseitigen von Verstopfungen im System	27
Aufbewahrung	28
Anleitung zum Reinigen und Trocknen	28
Shark Reinigungslösungen	29
Technische Daten	29
Fehlerdiagnose und -behebung	30
Garantie	31



Die entsprechende Markierung zeigt an, dass dieses Produkt nicht mit dem normalen Haushaltsmüll entsorgt werden darf. Indem Sie sicherstellen, dass dieses Gerät korrekt entsorgt wird, helfen Sie mit, potentiellen negativen Folgen für die Umwelt und die menschliche Gesundheit vorzubeugen, und Sie tragen verantwortlich dazu bei, dass Materialien nachhaltig wiederverwendet werden. Benutzen Sie bitte für die Rückgabe des Altgeräts entsprechende Rückgabe- und Sammelsysteme oder kontaktieren Sie den Einzelhändler, bei dem Sie das Gerät gekauft haben. Diese können dieses Produkt für ein umweltfreundliches Recycling zurücknehmen

Scannen Sie den QR-Code, um die **ANLEITUNGSVIDEOS** und mehr anzuschauen.



WICHTIGE SICHERHEITSHINWEISE - NUR FÜR DEN HAUSGEBRAUCH

VOR GEBRAUCH SORGFÄLTIG LESEN - DIESE ANLEITUNG AUFBEWAHREN. NUR FÜR DEN HAUSGEBRAUCH. LESEN SIE SICH ALLE ANWEISUNGEN DURCH, BEVOR SIE DIESEN FLECKENREINIGER FÜR TEPPICHE UND POLSTERMÖBEL VERWENDEN.

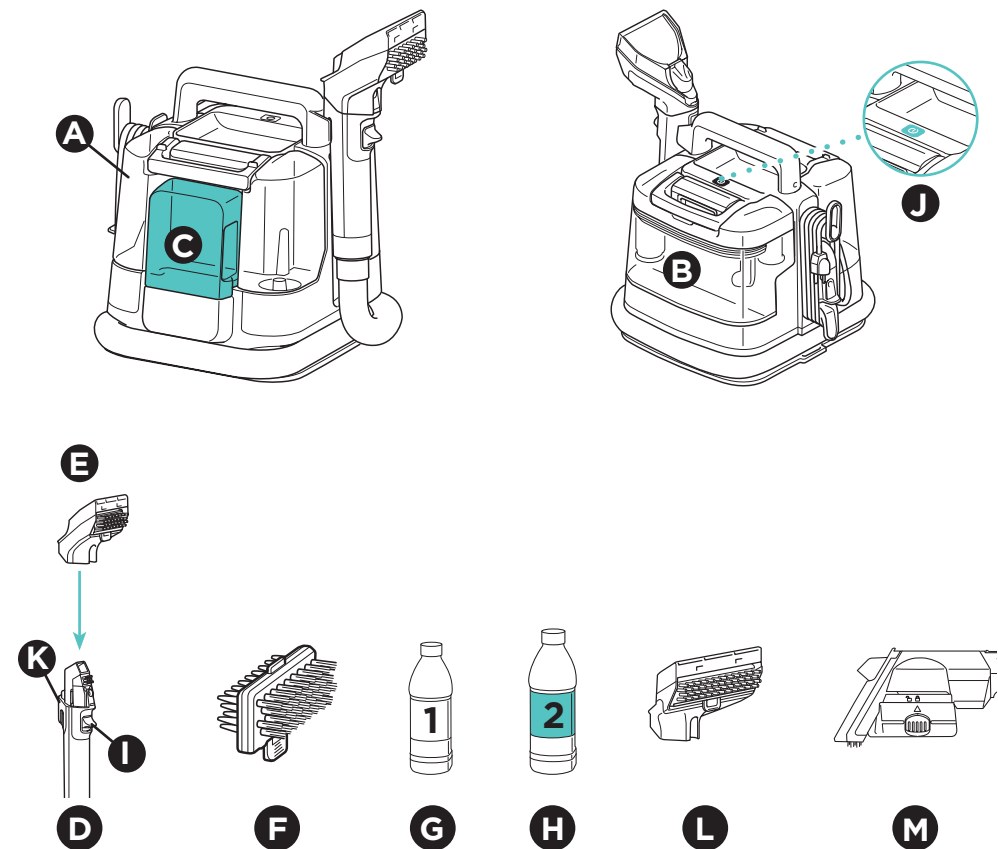
⚠️ WARNHINWEIS SO VERRINGERN SIE DAS RISIKO VON BRAND, ELEKTROSCHOCK, VERLETZUNGEN ODER SACHSCHÄDEN:

Dieses Gerät darf von Personen mit herabgesetzten physischen, sensorischen oder geistigen Fähigkeiten oder Mangel an Erfahrung und Kenntnissen nur unter Aufsicht oder nach ausreichender Einweisung durch eine für die Sicherheit verantwortliche Person benutzt werden. Kinder dürfen dieses Gerät nicht benutzen oder damit spielen. Um das Gerät während der Benutzung außerhalb der Reichweite von Kindern zu halten, müssen diese unbedingt beaufsichtigt werden. Bitte beachten Sie unbedingt die Pflege- und Gebrauchsanweisungen des odenherstellers, bevor Sie Ihr Gerät benutzen.

- Bei unsachgemäßem Anschluss des Erdungsleiters besteht die Gefahr eines Stromschlags. Wenden Sie sich an einen qualifizierten Elektriker oder einen Servicetechniker, wenn Sie Zweifel haben, ob die Steckdose korrekt geerdet ist.
- Der mit dem Gerät gelieferte Stecker darf **NICHT** verändert werden.
- Platzieren Sie den Stecker **NICHT** mit Gewalt in der Steckdose, und versuchen Sie **NICHT**, den Stecker zu verändern.
- Ziehen Sie **NICHT** am Kabel und achten Sie darauf, dass es nicht in einer Tür eingeklemmt oder um scharfkantige Ecken herumgeführt wird. Fassen Sie das Netzkabel stattdessen immer am Stecker an und ziehen Sie es daran aus der Steckdose. Halten Sie das Netzkabel von heißen Oberflächen fern.
- Um das Risiko von Bränden oder Stromschlägen aufgrund von Schäden an internen Komponenten zu verringern, verwenden Sie **AUSSCHLIESSLICH** die Fleckenreinigungsmittel Shark Deep Clean Pro oder StainStriker in den originalen Behältern, die für die Verwendung mit diesem Gerät vorgesehen sind. Siehe Anweisungen in diesem Leitfaden.
- Die Bereiche, in denen Sie reinigen, können nass werden. Seien Sie vorsichtig, damit Sie nicht ausrutschen und stürzen.
- Seien Sie vorsichtig, wenn Sie das Handgerät vom Spot Cleaner abnehmen und wieder anbringen, um eine versehentliche Aktivierung der Reinigungslösung zu vermeiden.
- Sprühen Sie die Lösung **NICHT** auf Ihre Haut oder in Ihre Augen.
- Füllen Sie die Lösungsmittelbehälter **NICHT**, während sie am Gerät angebracht sind. Vor Gebrauch entfernen.
- NICHT** in Betrieb nehmen, wenn die Außenflächen des Geräts nass sind. Wenn das Gerät nass ist, trocknen Sie es vor dem Gebrauch mit einem Tuch ab.
- Um das Risiko eines Stromschlags und eines unbeabsichtigten Einschaltens zu verringern, schalten Sie den Spot Cleaner vor jeder Einstellung, Reinigung, Wartung oder Fehlerbehebung aus und ziehen Sie den Netzstecker.
- Überprüfen Sie jedes Teil vor jedem Gebrauch sorgfältig auf Schäden oder Verschleiß. Wenn ein Teil beschädigt oder abgenutzt ist, stellen Sie die Verwendung sofort ein. Verwenden Sie den Spot Cleaner **NICHT**, wenn Teile beschädigt sind oder wenn der Spot Cleaner nicht ordnungsgemäß funktioniert, heruntergefallen ist, im Freien gelagert oder in Wasser getaucht wurde.
- Tauchen Sie das Gehäuse des Spot Cleaners **NICHT** in Wasser und besprühen Sie es nicht mit Wasser. Verwenden Sie zum Reinigen der Oberfläche ein trockenes Tuch.
- Dieses Produkt darf von Kindern **NICHT** als Spielzeug verwendet werden. Falls das Gerät in der Nähe von Kindern betrieben werden soll, müssen diese unbedingt beaufsichtigt werden.
- Fassen Sie den Stecker oder den Spot Cleaner **KEINESFALLS** mit nassen Händen an.
- Benutzen Sie das Gerät **NICHT** ohne Schmutzwasserbehälter, Reinigungstank oder den Filter.
- Verwenden Sie ausschließlich identische Shark®-Ersatzteile. Verwenden Sie ausschließlich Filter und Zubehör der Marke Shark®.
- Wenn Sie das Gerät an ein Verlängerungskabel anschließen, achten Sie darauf, dass das Kabel eine Länge von 15 m nicht überschreitet, um Schäden am Motor zu vermeiden.
- Stellen Sie den Spot Cleaner **NICHT** auf unebene Flächen.
- Verwenden Sie das Gerät **NICHT**, um Folgendes aufzusaugen:
 - Große Gegenstände
 - Harte oder scharfe Gegenstände (Glas, Nägel, Schrauben oder Münzen)
 - Große Mengen an Staub (z. B. Staub von Trockenbau etc.).
 - Rauchende oder brennende Gegenstände (wie heiße Kohlen, Zigarettenstummel oder Zündhölzer)
 - Entzündliche oder brennbare Materialien (Feuerzeugbenzin, Benzin oder Kerosin)
 - Giftige Stoffe (wie Chlorbleiche, Ammoniak oder Abflussreiniger)
- VERWENDEN SIE DAS GERÄT NICHT** in folgenden Bereichen:
 - In schwach beleuchteten Bereichen
 - In Außenbereichen
 - In Bereichen, die abgeschlossen sind und möglicherweise explosive oder giftige Gase oder Dämpfe enthalten (wie Feuerzeugbenzin, Benzin, Kerosin, Lack, Farbverdünner, Mottenschutzmittel oder entflammbarer Staub).

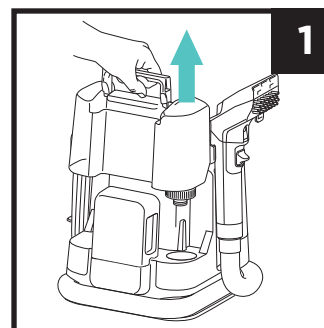
Vermeiden Sie es, den Sprühauslöser zu betätigen, wenn Sie ihn **NICHT** auf eine zu behandelnde Stelle richten. **WARNHINWEIS:** Es kann auch nach dem Ausschalten des Geräts noch Flüssigkeit abgegeben werden.

- A** Deep Clean Pro-Tank
- B** Schmutzwasserbehälter
- C** StainStriker-Tank
- D** Fugendüse
- E** Zubehör für hartnäckige Flecken
- F** 2x wendbare Borsten
- G** 177 ml Reinigungslösung Deep Clean Pro
- H** 355 ml Reinigungslösung OXY Multiplier
- I** Sprühauslöser
- J** Ein-/Ausschalttaste
- K** Trenntaste
- L** Breites Zubehör für hartnäckige Flecken*
- M** Zubehör für Haustierflecken*

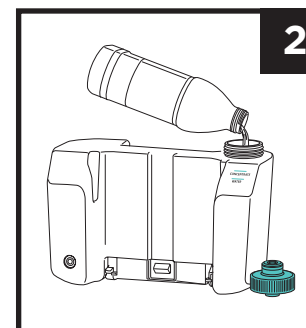


* Zubehör, das mit dem Haustiermodell PX200EUT verkauft wird (oder Verkauf separat)

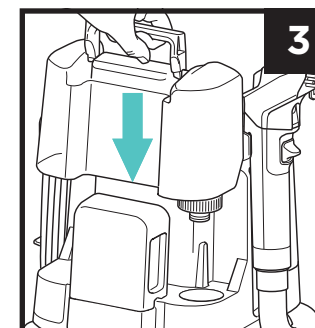
HINWEIS: Nicht alle Geräte weisen das komplette Zubehör auf. Das Zubehör variiert je nach Modell. Weiteres verfügbares Zubehör finden Sie unter www.sharkclean.eu



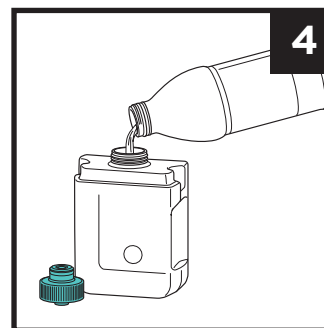
1. Nehmen Sie den Deep Clean Pro-Tank vom Gerät ab. Drehen Sie den Tank um und schrauben Sie die Kappe ab.



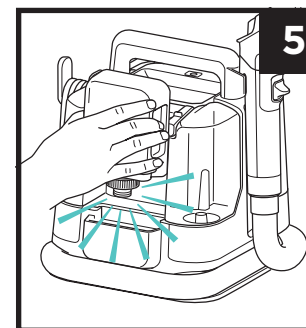
2. Füllen Sie den Deep Clean Pro-Tank bis zur Fülllinie mit Wasser. Dann bis zur Konzentratfülllinie Reinigungslösung Deep Clean Pro hinzugeben.



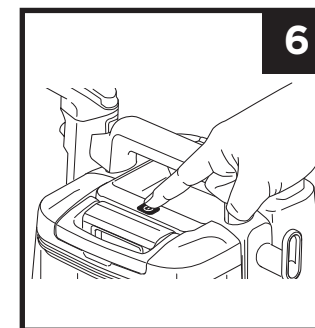
3. Schrauben Sie die Kappe wieder auf und setzen Sie den Tank wieder ein, bis er hörbar einrastet.



4. Nehmen Sie den StainStriker-Tank vom Gerät ab und drehen ihn um. Schrauben Sie die Kappe ab und füllen Sie StainStriker-Reinigungslösung in den Tank.



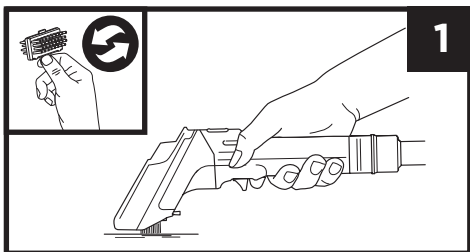
5. Schrauben Sie die Kappe wieder auf und setzen Sie den Tank wieder ein, bis er hörbar einrastet.



6. Wickeln Sie das Netzkabel ab und stecken Sie den Netzstecker in eine Steckdose. Schalten Sie das Gerät **EIN**, um mit dem Reinigen zu beginnen.

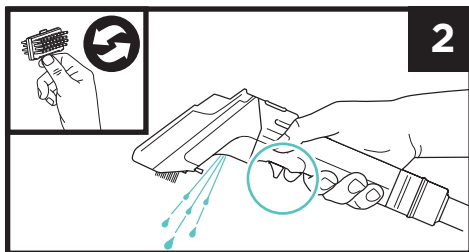
WICHTIG: Saugen Sie zuerst mit einem herkömmlichen Staubsauger, bevor Sie den StainStriker benutzen. Verwenden Sie **AUSSCHLIESSLICH** die Shark-Reinigungslösungen Deep Clean Pro und OXY Multiplier.

ENTFERNUNG NASSER FLECKEN



1. Für nasse Flecken befolgen Sie den Leitfaden zur Fleckenentfernung am Handgerät. Schalten Sie das Gerät mit der Ein-/Ausschalttaste ein und saugen Sie die Flüssigkeit auf. Sprühen Sie auf den verschmutzten Bereich. Reinigen Sie mit den Borsten, dann neigen Sie das Handgerät nach vorn und ziehen Sie es über den Fleckenbereich, um die Flüssigkeit aufzusaugen. Wiederholen Sie den Vorgang nach Bedarf. Um lange Trocknungszeiten zu vermeiden, sprühen Sie nicht zu viel.

ENTFERNUNG TROCKENER FLECKEN



2. Für trockene Flecken befolgen Sie den Leitfaden zur Fleckenentfernung am Handgerät. Schalten Sie das Gerät mit der Ein-/Ausschalttaste ein. Bürsten Sie den fleckigen Bereich, dann besprühen Sie ihn und bürsten erneut. Anschließend neigen Sie das Handgerät nach vorn und ziehen es über den Fleckenbereich, um die Flüssigkeit aufzusaugen. Wiederholen Sie den Vorgang nach Bedarf. Um lange Trocknungszeiten zu vermeiden, sprühen Sie nicht zu viel.

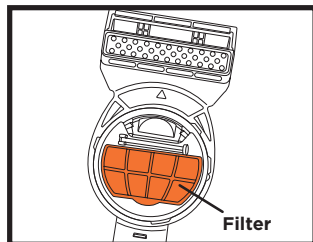
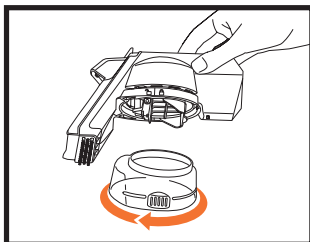
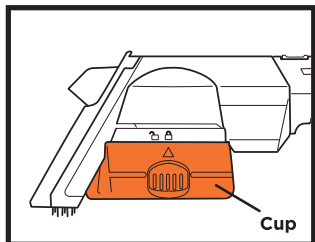
Hinweis: Für schwer zugängliche Stellen kann das Gerät ohne ein Handgerät-Zubehör und nur mit der Fugendüse verwendet werden.

Tipp: Auswahl der Borsten – Die Gummiborsten sind am besten für empfindliche Oberflächen und Polster geeignet. Die harten Borsten sind ideal für intensive Bewegungen auf strapazierfähigen Oberflächen.

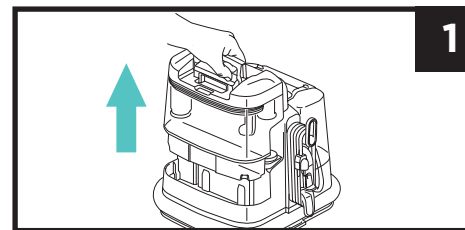
ZUBEHÖR FÜR HAUSTIERFLECKEN

Das Shark-Zubehör für Haustierflecken gehört bei ausgewählten Modellen zum Lieferumfang. Es beseitigt auf hygienische Weise haustiertypische Verschmutzungen und vermeidet, dass diese in den Schlauch oder das Innere des Geräts gelangen. Verwenden Sie das Zubehör **NICHT**, um Tierhaare zu beseitigen. Um es zu verwenden, sprühen Sie die Haustierschmutzungen ein und saugen sie dann wie oben beschrieben auf. Zur Vermeidung einer Übersättigung sprühen Sie nicht zu viel. Überschreiten Sie **NICHT** die Füllmarkierung **MAX FILL** des Behälters für Haustierschmutzungen.

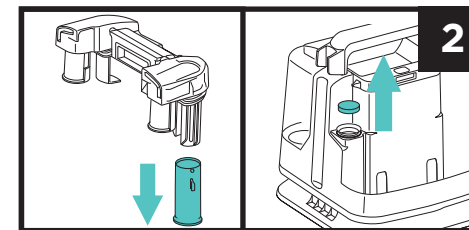
Halten Sie das Gerät horizontal, ohne es zu kippen, um zu vermeiden, dass der Schmutz in den Schlauch gelangt. Nach Gebrauch schalten Sie das Hauptgerät aus und leeren gegebenenfalls den Behälter des Zubehörs. Reinigen Sie Behälter, Filter und den Rest des Zubehörs nach jedem Gebrauch gründlich mit Wasser und Spülmittel.



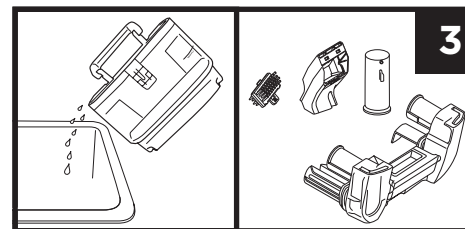
WARTUNG



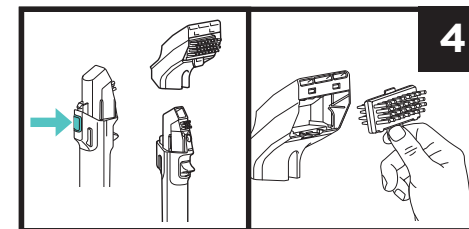
1. Nehmen Sie den Schmutzwasserbehälter ab. Halten Sie ihn aufrecht und setzen ihn auf einer ebenen Oberfläche ab. Drücken Sie den Griff komplett nach hinten, bis es klickt, dann den Deckel abheben.



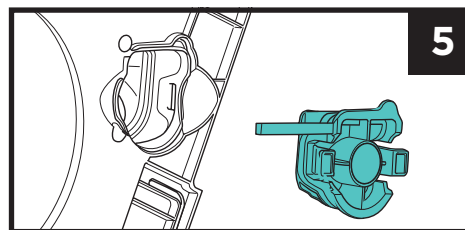
2. Das Schwimmventil reinigen und sicherstellen, dass es sich frei bewegen kann. Entfernen Sie während der Reinigung den Schaumstofffilter aus dem Gerät.



3. Gießen Sie die schmutzige Flüssigkeit aus dem Schmutzwasserbehälter, klopfen Sie dabei losen Schmutz ab. Beseitigen Sie sonstige Verschmutzungen von den Handgeräten, Borsten, am Deckel und Schwimmventil. Spülen Sie alle Teile gründlich mit Wasser und Spülmittel und lassen Sie sie vollständig an der Luft trocknen, bevor Sie sie wieder einsetzen.



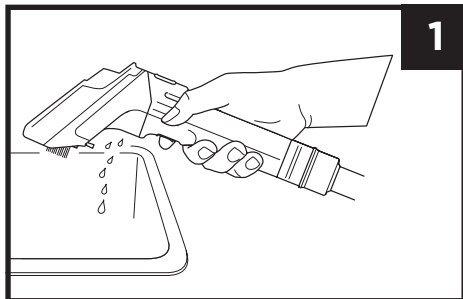
4. Nehmen Sie das Handgerät ab, indem Sie auf den Entriegelungsknopf drücken. Nehmen Sie die Abdeckung von Handgerät ab, um den Luftstrom zu reinigen. Reinigen Sie die Borsten des Handgeräts gründlich.



5. Um Verstopfungen zu beseitigen, entfernen Sie den Verbindungsclip auf der Unterseite des Geräts. Entfernen Sie allen Schmutz, dann schließen Sie die Klappe.

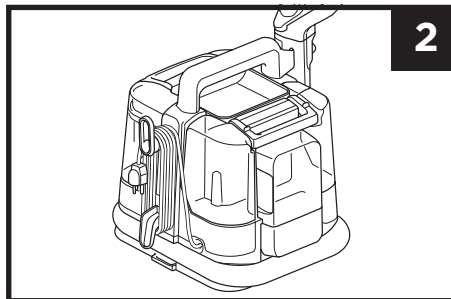
HINWEIS: Reinigen Sie das Gerät nach jedem Gebrauch, um Gerüche, Bakterien und Schimmel zu vermeiden.

LAGERUNG



1

1. Trennen Sie das Gerät von der Steckdose und stellen Sie es in die Nähe eines Waschbeckens, einer Toilette oder eines Abflusses, um die verbleibende Flüssigkeit aus dem angebrachten Zubehör zu entleeren. Reinigen Sie das Gerät und alle Teile (siehe Abschnitte).



2

2. Nachdem die Reinigung abgeschlossen ist und alle Teile getrocknet sind, setzen Sie alle Teile wieder ein. Wickeln Sie das Stromkabel. Wickeln Sie den Schlauch um die Basis des Geräts und bewahren Sie das Handgerät in seiner Halterung auf.

ANLEITUNG ZUM REINIGEN UND TROCKNEN

REINIGEN:

- Wenn Sie die Reinigungslösung auftragen, besprühen Sie den Fleck nur zu Beginn des Reinigungsprozesses. Vermeiden Sie eine Übersättigung des Bereichs oder ständiges Sprühen während der Reinigung.
- Bei älteren und hartnäckigen Flecken sollten Sie die Reinigungslösung 5–20 Minuten lang in den Fleck einziehen lassen, damit sie ihre Wirkung entfalten kann.
- Frische Flecken können Sie sofort nach dem Sprühen entfernen.
- Bearbeiten Sie die Stelle immer gründlich, um den Fleck aufzulösen. Bürsten Sie für beste Ergebnisse in verschiedene Richtungen.
- Achten Sie immer auf die korrekte Verdünnung der Lösung, wenn Sie das Gerät für die Reinigung vorbereiten.

TROCKNEN:

- Wenn Sie die Flüssigkeit aufsaugen, fahren Sie gleichmäßig über die zu reinigende Fläche, während Sie kontinuierlichen Druck nach unten ausüben.
- Winkeln Sie das Handgerät an, um die Saugöffnungen für eine optimale Saugkraft parallel zur Reinigungsfläche zu halten.
- Fahren Sie weiter über die zu reinigende Fläche, bis keine Flüssigkeit mehr vom Handgerät aufgesaugt wird.

Für weitere Informationen scannen Sie den QR-Code, um sich die **ANLEITUNGSVIDEOS** anzuschauen.



REINIGUNGSLÖSUNGEN



1

Shark Deep Clean Pro
Reinigungslösung für eine tiefenwirksame Entfernung von Schmutz auf Teppichen.



2

Shark OXY Multiplier
Starke Formel zur Beseitigung hartnäckiger Flecken und Gerüche.



Um Nachfüllpackungen von Shark Deep Clean Pro und Shark OXY Multiplier zu bestellen, scannen Sie den QR-Code.

TECHNISCHE DATEN

Serie PX200: 220-240V-, 50-60Hz, 450W

BEWAHREN SIE FOLGENDE INFORMATIONEN GUT AUF

Modellnummer: _____

Kaufdatum: _____
(Beleg aufbewahren)

Gekauft bei: _____

©2024 SharkNinja Operating LLC.

SharkNinja Europe Limited, 1st/2nd Floor Building 3150, Thorpe Park, Century Way, Leeds, England, LS15 8ZB

+49 800 000 906 / www.sharkclean.eu / kundendienst-de@sharkninja.com

SharkNinja Germany GmbH, Rotfeder-Ring 9, 60327 Frankfurt am Main, Deutschland.

SHARK und STAINSTRIKER sind in der Europäischen Union eingetragene Marken der SharkNinja Operating LLC.

Die Abbildungen können vom tatsächlichen Produkt abweichen.

Problem	Lösung
Ungleichmäßiges Sprühen oder kein Sprühen	Achten Sie darauf, dass sich Reinigungslösung in beiden Lösungsmittelbehältern befindet. Achten Sie darauf, dass der Deep Clean Pro-Tank korrekt installiert ist. Achten Sie darauf, dass das Gerät ans Stromnetz angeschlossen und eingeschaltet ist.
Geringe oder keine Saugkraft	Achten Sie darauf, dass der Schmutzwasserbehälter nicht überfüllt und richtig installiert ist. Überprüfen Sie die Zugangsklappe für Verstopfungen an der Unterseite des Geräts und beseitigen Sie eventuelle Verschmutzungen, die sich am Schlauchende festgesetzt haben. Wenn Reinigungszubehör angebracht ist, vergewissern Sie sich, dass es richtig angeschlossen ist. Entfernen Sie eventuelle Verschmutzungen von den Reinigungsaufsätzen.
Das Gerät lässt sich nicht einschalten	Stellen Sie sicher, dass das Netzkabel richtig in die Steckdose eingesteckt ist. Probieren Sie eine andere Steckdose aus. Stellen Sie sicher, dass die Ein-/Ausschalttaste betätigt wurde.
Aus dem Gerät tritt Flüssigkeit aus	Der Schmutzwasserbehälter ist möglicherweise überfüllt. Achten Sie darauf, dass sowohl der Schmutzwasserbehälter als auch der Deep Clean Pro-Tank korrekt installiert sind. Vergewissern Sie sich, dass das Schwimmerventil im Schmutzwasserbehälter nicht eingeklemmt ist. Stellen Sie sicher, dass das Gerät auf einer stabilen, flachen Oberfläche steht.
Die Lösungsmittelbehälter laufen aus	Achten Sie darauf, dass die Deckel der Lösungsmittelbehälter fest angezogen sind. Achten Sie darauf, dass beide Behälter richtig eingesetzt und die Deckel eingerastet sind.

Wenn ein Verbraucher ein Produkt in Europa kauft, erhält er automatisch Rechte hinsichtlich der Produktqualität (Ihre gesetzlichen Rechte). Diese Rechte können gegenüber dem Einzelhändler geltend gemacht werden. Allerdings haben wir von Shark® ein so großes Vertrauen in die Qualität unserer Produkte, dass wir Ihnen eine zusätzliche Herstellergarantie von bis zu drei Jahren gewähren (Standardgarantie von zwei Jahren sowie ein weiteres Jahr bei Registrierung). Diese Bedingungen beziehen sich nur auf unsere Herstellergarantie - Ihre gesetzlichen Rechte sind davon unberührt.

In den nachstehenden Bedingungen werden die Voraussetzungen und der Umfang der von uns gewährten Garantie beschrieben. Sie beeinträchtigen keine gesetzlichen Rechte oder die Verpflichtungen Ihres Einzelhändlers und die Ihres Kaufvertrags mit ihm.

Shark®-Garantie

Ihr Shark-Gerät ist eine bedeutende Investition. Ein neuer Spot Cleaner sollte daher so lange wie möglich funktionieren. Die Garantie spielt dabei eine wichtige Rolle und spiegelt wider, wie viel Vertrauen der Hersteller in sein Produkt und die Herstellungsqualität hat. Für jedes Gerät von Shark sind die Kosten für Ersatzteile und Arbeitszeit von der Garantie abgedeckt. Online-Support finden Sie auch unter sharkclean.de

Wie registriere ich meine Shark-Garantie?

Sie können Ihre Garantie innerhalb von 28 Tagen ab dem Kaufdatum online registrieren. Um Zeit zu sparen, halten Sie bitte die folgenden Informationen zu Ihrem Spot Cleaner bereit:

- Kaufdatum des Geräts (Kaufbeleg oder Lieferschein).

WICHTIG:

- Die Garantie deckt Ihr Gerät nur ab dem Kaufdatum ab.
- Bitte den Kaufbeleg immer aufbewahren. Wenn ein Garantiefall eintritt, benötigen wir den Kaufbeleg, um zu prüfen, ob die uns übermittelten Informationen korrekt sind. Wenn Sie keinen gültigen Kaufbeleg haben, kann Ihre Garantie dadurch ungültig sein.

Welche Vorteile habe ich von der kostenlosen Registrierung meiner Shark-Garantie?

Wenn Sie Ihre Garantie registrieren, haben wir bereits alle wichtigen Daten zur Hand, wenn wir sie benötigen. Außerdem können Sie Tipps und Ratschläge erhalten, wie Sie das Beste aus Ihrem Shark-Gerät herausholen können, sowie aktuelle Nachrichten zu neuen Technologien und Produkten von Shark®. Wenn Sie Ihre Garantie online registrieren, erhalten Sie sofort eine Bestätigung, dass Ihre Daten bei uns eingegangen sind.

Wie lang ist die Garantiezeit für neue Shark-Geräte?

Da wir großes Vertrauen in unser Design und die Qualitätskontrolle haben, ist Ihre Garantie für Ihr neues Shark-Gerät drei Jahre lang gültig.

Was wird durch die kostenlose Shark-Garantie abgedeckt?

Reparatur oder Ersatz Ihres Shark-Geräts (nach Ermessen von Shark), einschließlich aller Teile und der Arbeitszeit. Die Shark-Garantie erhalten Sie zusätzlich zu Ihren Rechten als Verbraucher.

Was wird durch die kostenlose Shark-Garantie nicht abgedeckt?

Wenn Sie Ihre Garantie registrieren, haben wir bereits alle wichtigen Daten zur Hand, wenn wir sie benötigen.

Außerdem können Sie Tipps und Ratschläge erhalten, wie Sie das Beste aus Ihrem Shark-Gerät herausholen können, sowie aktuelle Nachrichten zu neuen Technologien und Produkten von Shark®. Wenn Sie Ihre Garantie online registrieren, erhalten Sie sofort eine Bestätigung, dass Ihre Daten bei uns eingegangen sind.

1. Normaler Verschleiß von Verschleißteilen (wie Zubehör). Ersatzteile sind zum Kauf auf sharkclean.eu erhältlich.
2. Schäden, die durch Missbrauch, Zweckentfremdung, nachlässige Behandlung, ausbleibende erforderliche Wartungen bzw. durch unsachgemäße Handhabung beim Transport verursacht wurden.
3. Schäden durch Wartungen, die nicht von Shark autorisiert wurden.

Wo kann ich Original Shark-Ersatzteile und -Zubehörteile kaufen?

Shark-Ersatzteile und -Zubehörteile werden von den gleichen Ingenieuren entwickelt, die auch Ihr Shark-Gerät entwickelt haben. Sie finden eine ganze Palette an Shark-Ersatzteilen und Zubehör für alle Shark-Geräte auf sharkclean.eu

Bitte beachten Sie, dass Ihre Garantie möglicherweise keine Schäden abdeckt, die durch Ersatzteile verursacht wurden, die keine Originalkomponenten von Shark sind.

ÍNDICE

Instrucciones de seguridad importantes	33
Contenido	34
Introducción	35
Cómo usar el accesorio manual	36
Mantenimiento	37
Limpieza del depósito de agua sucia	37
Limpieza del accesorio manual	37
Desatascado del sistema	37
Almacenamiento	38
Guía de limpieza y secado	38
Soluciones de limpieza Shark	39
Especificaciones técnicas	39
Resolución de problemas	40
Garantía	41

Este marcado indica que el aparato no debe utilizarse junto con otros residuos domésticos. Con el objetivo de evitar posibles daños medioambientales o para la salud humana ocasionados por la eliminación de residuos no controlados, recicle el aparato de forma responsable para promover la reutilización sostenible de las fuentes de materiales. Para devolver cualquier dispositivo usado, utilice los sistemas de recogida y devolución o póngase en contacto con el vendedor donde adquirió este producto. Puede entregar este producto para un reciclado seguro para el medioambiente.



Escanea el QR para ver
VÍDEOS EXPLICATIVOS
y mucho más.



INSTRUCCIONES DE SEGURIDAD IMPORTANTES – SOLO PARA USO DOMÉSTICO

LEE DETENIDAMENTE ANTES DE USAR EL PRODUCTO Y CONSERVA ESTE MANUAL DE INSTRUCCIONES. EXCLUSIVAMENTE PARA USO DOMÉSTICO.
LEE EL MANUAL DE INSTRUCCIONES COMPLETO ANTES DE USAR ESTE LIMPIADOR DE MANCHAS PARA ALFOMBRAS Y TAPICERÍA.

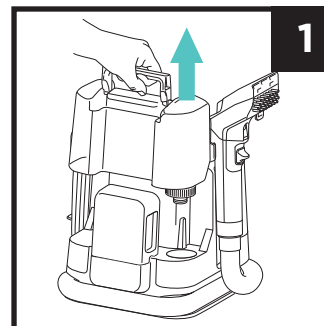
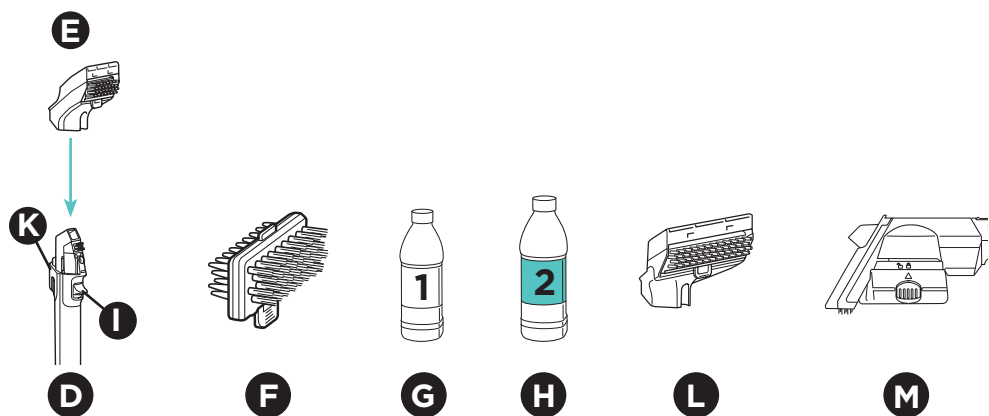
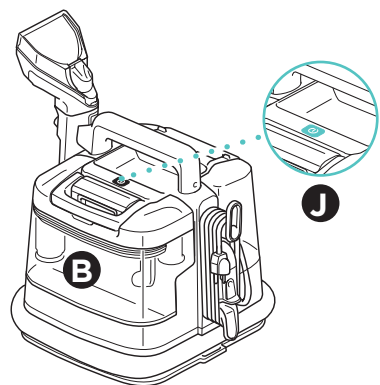
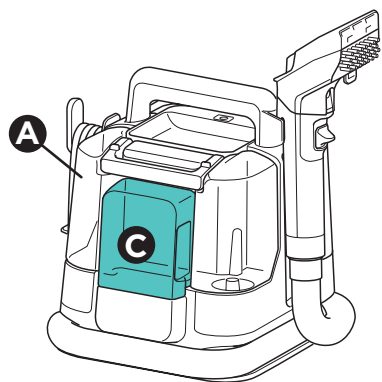
⚠ ADVERTENCIA PARA REDUCIR EL RIESGO DE INCENDIO, DESCARGA ELÉCTRICA, LESIONES O DAÑOS MATERIALES, SIGUE ESTAS INSTRUCCIONES:

Este producto no lo deben utilizar personas con facultades físicas, sensoriales o intelectuales disminuidas, o que carezcan de la experiencia y los conocimientos necesarios, a menos que otra persona responsable de su seguridad las supervise y las instruya debidamente. Los niños no deben utilizar ni jugar con este producto. Mientras esté en uso, mantén el producto fuera del alcance de los niños. Antes de utilizar el aparato, le recomendamos que consulte las instrucciones de uso y mantenimiento del fabricante del suelo.

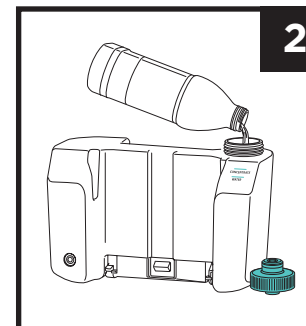
- Si el conductor de la toma de tierra del equipo no se conecta bien, podría provocar una descarga eléctrica. Consulta con un electricista cualificado o un técnico de servicio si no estás seguro de si la toma de corriente cuenta con una toma de tierra adecuada.
 - NO** modifiques el enchufe que viene con el producto.
 - NO** fuerces el producto en la toma de corriente ni trates de modificarlo.
 - NO** tires del cable ni lo enrolles alrededor de esquinas o bordes puntiagudos, ni tampoco cierres la puerta. Si deseas desenchufarlo, tira de la clavija, no del cable. Mantén el cable lejos de superficies calientes.
 - Para reducir el riesgo de incendio o de descarga eléctrica que pudiera producirse por daños en los componentes internos, utiliza EXCLUSIVAMENTE la fórmula Shark Deep Clean Pro / OXY Multiplier en los depósitos adecuados, tal y como se ha pensado para este producto. Consulta las instrucciones que se ofrecen en esta guía.
 - Las áreas alrededor del espacio que estás limpiando pueden quedar mojadas, por lo que debes tener cuidado para evitar resbalones y caídas.
 - Ten cuidado al quitar y volver a colocar el accesorio manual en el Spot Cleaner para evitar que la solución de limpieza se derrame sin querer.
 - NO** te rocíes la solución sobre la piel o en los ojos.
 - NO** rellenes los depósitos de las soluciones cuando estén instalados en el producto. Retíralos antes de rellenarlos.
 - NO** uses el producto si hay señales de humedad en las superficies exteriores del mismo. Si el producto está mojado, sécalo con un paño antes de usarlo.
 - Para reducir el riesgo de descargas y la puesta en marcha accidental, apaga y desenchufa el Spot Cleaner antes de ajustarlo, limpiarlo, solucionar cualquier fallo o llevar a cabo cualquier tarea de mantenimiento.
 - Antes de usar el producto, inspecciona minuciosamente cada una de las piezas por si presentan daños o se ven desgastadas. Si alguna pieza se ve dañada o desgastada, deja de usar el producto inmediatamente. **NO** utilices el Spot Cleaner si cualquiera de sus piezas está dañada o si no funciona correctamente, ni tampoco si se ha caído, se ha dejado a la intemperie o se ha sumergido en agua.
 - NO** sumerjas el cuerpo del Spot Cleaner en agua ni lo rocíes con agua. Para limpiar la superficie, utiliza un paño seco.
 - NO** permitas que los niños lo utilicen ni que se emplee como un juguete. Extrema las precauciones cuando utilices el producto cerca de los niños.
 - NO** toques el enchufe del mango ni el Spot Cleaner con las manos mojadas.
 - NO** lo utilices sin que el depósito de agua sucia, el depósito de solución limpia o el filtro estén debidamente colocados.
 - Utiliza exclusivamente recambios Shark® idénticos. Utiliza exclusivamente filtros y accesorios de la marca Shark®.
 - Si usas un alargador para enchufar la unidad, asegúrate de que el cable no tenga más de 15 m de largo para evitar que el motor quede dañado.
 - NO** coloques el Spot Cleaner en superficies irregulares.
 - NO** lo utilices para recoger:
 - Objetos grandes
 - Objetos duros o afilados (vidrio, clavos, tornillos o monedas)
 - Grandes cantidades de polvo (por ejemplo, polvo de yeso)
 - Objetos humeantes o en combustión (brasas, colillas de cigarrillos o cerillas)
 - Materiales inflamables o combustibles (líquido inflamable, gasolina o queroseno)
 - Materiales tóxicos (lejía, amoníaco o limpiatuberías)
 - NO** lo utilices en este tipo de lugares:
 - Espacios poco iluminados
 - Espacios exteriores
 - Espacios cerrados o que puedan contener humos o vapores explosivos o tóxicos (líquido inflamable, gasolina, queroseno, pintura, diluyentes de pintura, productos antipollas o polvo inflamable).
- NO HAGAS LO SIGUIENTE:** Accionar el gatillo de pulverización a menos que estés apuntando al área que vas a limpiar. ADVERTENCIA: Es posible que siga rociando aun cuando la unidad esté apagada.

- A Depósito Deep Clean Pro
- B Depósito de agua sucia
- C Depósito StainStriker
- D Boquilla estrecha
- E Accesorio para manchas difíciles
- F Cerdas reversibles (2 uds.)
- G 177 ml Fórmula Deep Clean Pro

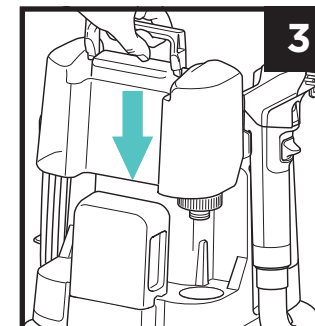
- H 355 ml Fórmula OXY Multiplier
- I Gatillo de pulverización
- J Botón de encendido/apagado
- K Botón de desmontaje
- L Accesorio ancho para manchas difíciles*
- M Accesorio para eliminar manchas de mascotas*



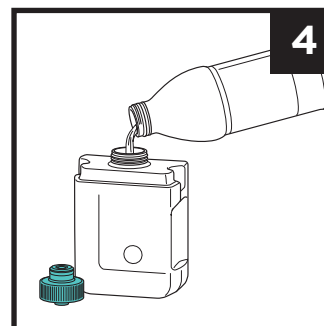
1. Separa el depósito Deep Clean Pro de la unidad. Dale la vuelta al depósito, desenrosca la tapa y retírala.



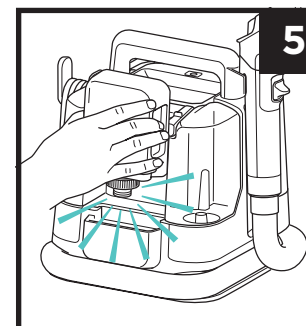
2. Rellena el depósito Deep Clean Pro con agua hasta la línea de llenado máximo del agua. A continuación, añade la fórmula Deep Clean Pro hasta la línea de llenado máximo del concentrado.



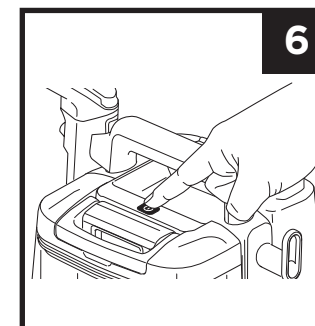
3. Vuelve a poner la tapa y coloca de nuevo el depósito hasta que encaje en su lugar.



4. Separa el depósito StainStriker de la unidad y dale la vuelta. Desenrosca la tapa y vierte la fórmula StainStriker en el depósito.



5. Vuelve a poner la tapa y coloca de nuevo el depósito hasta que encaje en su lugar.



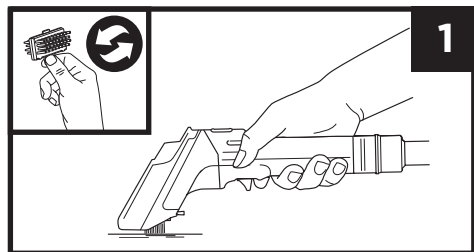
6. Desenrolla el cable de alimentación y enchúfalo a una toma de corriente. **ENCIENDE** la unidad para empezar a limpiar.

* Los accesorios se venden con el modelo para mascotas PX200EUT (o se venden por separado).

NOTA: No todos los accesorios se suministran con todos los modelos. Los accesorios pueden variar según el modelo. Más accesorios disponibles en www.sharkclean.eu

IMPORTANTE: Usa primero una aspiradora tradicional antes de emplear Stain Striker. Utiliza **EXCLUSIVAMENTE** las soluciones de limpieza Deep Clean Pro/Oxy Multiplier de la marca Shark.

CÓMO LIMPIAR MANCHAS HÚMEDAS

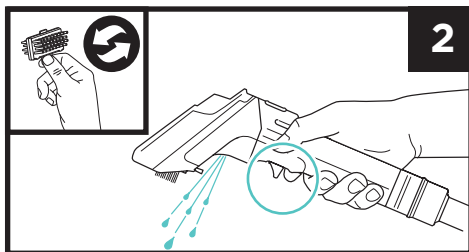


1. Para las manchas húmedas, sigue las indicaciones de la guía para manchas que se encuentra en el accesorio manual. ENCIENDE la unidad con el botón de encendido/apagado y aspira el líquido que haya esparcido. Rocía el área de la mancha. Frótala con las cerdas y, a continuación, inclina el accesorio manual hacia adelante y pásalo por el área de la mancha para quitar el líquido. Repite si es necesario. Para evitar tener que esperar más de lo necesario a que se seque, no rocíes una cantidad excesiva.

Nota: Para limpiar las áreas de difícil acceso, puedes usar la unidad sin el accesorio manual y dejarla solo con la boquilla estrecha.

Consejo: Cómo elegir las cerdas: las cerdas de goma son las más adecuadas para las superficies más delicadas y para la tapicería. Las cerdas duras son ideales para frotar a fondo en superficies resistentes.

CÓMO LIMPIAR MANCHAS SECAS

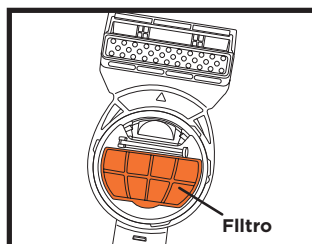
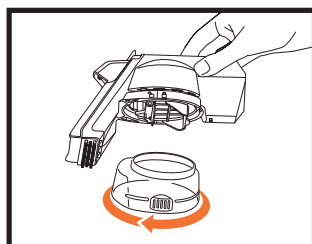
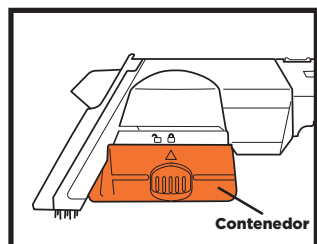


2. Para las manchas secas, sigue las indicaciones de la guía para manchas que se encuentra en el accesorio manual. ENCIENDE la unidad con el botón de encendido/apagado. Frota el área manchada y, a continuación, rocíala y frótala de nuevo. Después, inclina el accesorio manual hacia adelante y pásalo por el área de la mancha para quitar el líquido. Repite si es necesario. Para evitar tener que esperar más de lo necesario a que se seque, no rocíes una cantidad excesiva.

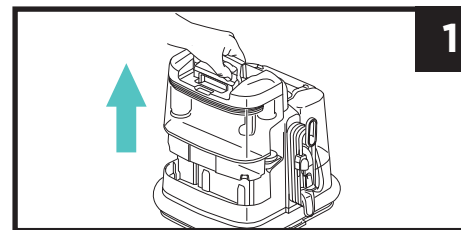
ACCESORIO PARA ELIMINAR MANCHAS DE MASCOTAS

El accesorio Shark para eliminar manchas de mascotas está incluido en determinados modelos. Se encarga de quitar manchas antihigiénicas y evita que la suciedad entre en el tubo flexible y llegue al interior de la unidad. **NO** utilices este accesorio para quitar pelo de mascotas. Para usarlo, rocía la mancha húmeda y, a continuación, quítala siguiendo las indicaciones anteriores. Para evitar que se sature, no rocíes una cantidad excesiva. **NO** rebases la línea **MAX FILL** (llenado máximo) en el contenedor del minicepillo para pelo de mascota.

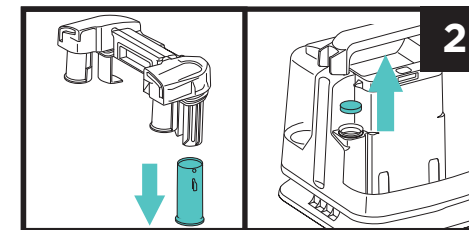
Mantén el accesorio bien nivelado, sin volcarlo, para evitar que la suciedad llegue al tubo flexible. Cuando hayas terminado de usarlo, apaga la unidad principal y vacía el contenedor del accesorio cuando haga falta. Lava bien el contenedor, el filtro y el resto del accesorio con agua y jabón después de cada uso.



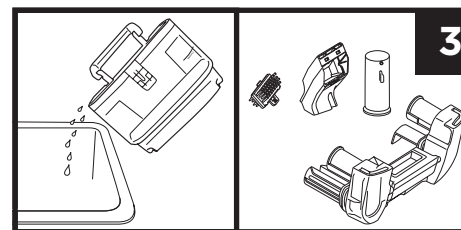
MANTENIMIENTO



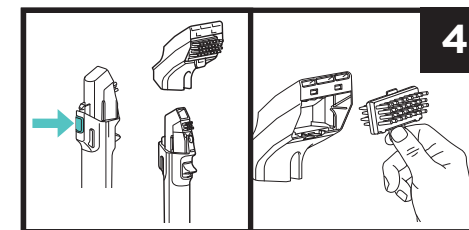
1. Separa el depósito de agua sucia, manteniéndolo en posición vertical y sobre una superficie nivelada. Levanta el mango completamente hacia atrás hasta que haga clic y, a continuación, levanta la tapa.



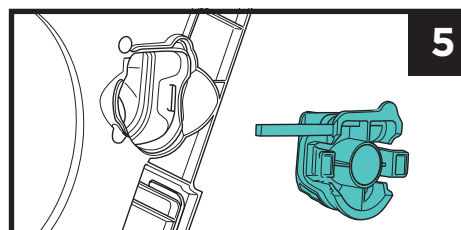
2. Limpia la válvula flotante y asegúrate de que se mueva libremente. Retira el filtro de espuma de la unidad mientras la estás limpiando.



3. Cuando haga falta, tira el líquido del depósito de agua sucia, quitando cualquier residuo suelto que haya quedado. Limpia cualquier otro residuo en los accesorios manuales, las cerdas, la tapa y la válvula flotante. Enjuaga bien todas las piezas con agua y jabón y deja que se sequen completamente al aire antes de volver a instalarlas.



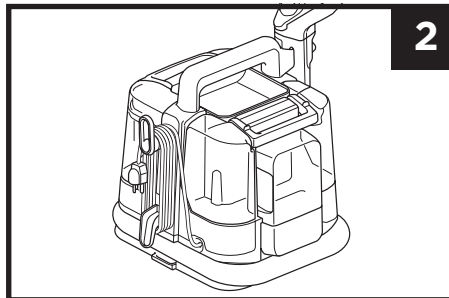
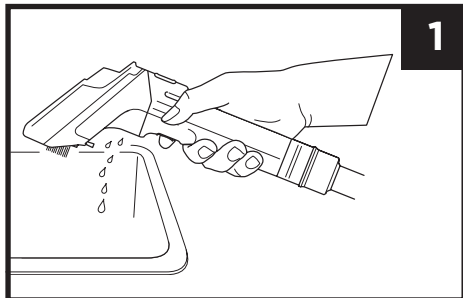
4. Separa el accesorio manual presionando el botón de desenganche. Retira la tapa del accesorio para limpiar el conducto del aire. Lava bien las cerdas del accesorio.



5. Para limpiar cualquier residuo que esté atascando el sistema, retira la pinza que hay enganchada en la parte inferior de la unidad. Limpia todos los residuos y cierra el compartimento después.

NOTA: Limpia la unidad cada vez que la uses para evitar olores, bacterias y moho.

ALMACENAMIENTO



1. Desenchufa la unidad y colócala cerca de un fregadero, inodoro o desagüe para vaciar el líquido restante del accesorio que tiene conectado. Limpia la unidad y todas las piezas (consulta las secciones de Mantenimiento).
2. Cuando hayas terminado de limpiar y se hayan secado todas las piezas, vuelve a colocar todos los accesorios. Enrolla el cable de alimentación. Envuelve el tubo flexible alrededor de la base de la unidad y guarda el accesorio manual en su soporte.

GUÍA DE LIMPIEZA Y SECADO

LIMPIEZA:

- Cuando apliques la solución de limpieza, cubre la mancha solo al empezar el proceso. Evita saturar el área de líquido o rociar constantemente mientras limpias.
- Para las manchas más antiguas y difíciles, espera entre 5 y 20 minutos para que la solución de limpieza penetre y haga efecto.
- Las manchas recientes se pueden limpiar nada más rociar la solución.
- Frota bien el área para deshacer la mancha. Cepilla en varias direcciones para obtener los mejores resultados.
- Asegúrate de utilizar en todo momento las proporciones correctas para diluir la solución cuando montes la unidad para limpiar.

SECADO:

- Cuando saques el líquido, pasa por encima del área que estás limpiando siguiendo un patrón uniforme y aplicando presión por toda la zona.
- Inclina el accesorio manual para que los conductos de succión que hay paralelos respecto a la superficie de limpieza entren en acción y, así, obtener los mejores resultados al aspirar.
- Sigue pasando por encima del área que estás limpiando hasta que ya no salga líquido por la ventanilla del accesorio manual.

Si deseas más información, escanea el QR para ver unos **VÍDEOS EXPLICATIVOS.**



FÓRMULAS DE LIMPIEZA



Shark Deep Clean Pro
Fórmula profesional para limpiar a fondo alfombras, eliminando la suciedad y las incrustaciones.



Shark OXY Multiplier
Fórmula que permite eliminar manchas y olores difíciles.



Si deseas pedir recargas de Shark Deep Clean Pro y Shark OxyMultiplier, escanea el código QR.

ESPECIFICACIONES TÉCNICAS

Gama PX200: 220-240V~, 50-60Hz, 450W

INDICA LOS SIGUIENTES DATOS

Número de modelo: _____

Fecha de compra: _____
(Guarda el recibo)

Establecimiento de compra: _____

©2024 SharkNinja Operating LLC.
SharkNinja Europe Limited, 1st/2nd Floor Building 3150, Thorpe Park, Century Way, Leeds, England, LS15 8ZB

(+34) 900 839 453 / www.sharkclean.eu / servicioalcliente.es@sharkninja.com

SharkNinja Germany GmbH, Rotfeder-Ring 9, 60327 Frankfurt am Main, Germany.

SHARK y STAINSTRIKER son marcas registradas en la Unión Europea de SharkNinja Operating LLC.
Las ilustraciones podrían variar respecto al producto.

Problema	Solución
Rociado irregular o nulo	Asegúrate de que haya solución de limpieza en los dos depósitos a tal efecto. Asegúrate de que el depósito Deep Clean Pro esté instalado correctamente. Comprueba que el aparato esté enchufado y encendido.
Succión escasa o nula	Asegúrate de que el depósito de agua sucia no esté demasiado lleno y de que esté instalado correctamente. Comprueba el punto de acceso a las obstrucciones debajo de la unidad y limpia cualquier residuo que haya quedado atrapado dentro en el extremo del tubo flexible. Si hay algún accesorio de limpieza instalado, asegúrate de que esté bien conectado. Retira cualquier residuo que pueda haber en los accesorios de limpieza.
La unidad no se enciende	Comprueba si la unidad está bien enchufada a la corriente. Prueba con un enchufe diferente. Asegúrate de que haber presionado el botón de encendido/apagado.
La unidad gotea	Es posible que el depósito de agua sucia esté demasiado lleno. Asegúrate de que el depósito de agua sucia y el depósito Deep Clean Pro estén instalados correctamente. Asegúrate de que la válvula flotante que hay en el depósito de agua sucia no esté atascada. Asegúrate de que la unidad esté apoyada en una superficie plana y estable.
Los depósitos de las soluciones gotean	Asegúrate de que las tapas de los depósitos de las soluciones estén bien apretadas. Asegúrate de que los dos depósitos estén instalados correctamente y que las tapas hayan quedado encajadas en su sitio.

Cuando una persona adquiere un producto en Europa, está amparada por derechos legales en lo que respecta a la calidad de dicho producto. Puedes hacer valer esos derechos ante tu vendedor. No obstante, Shark® confía tanto en la calidad de sus productos que te otorga una garantía adicional del fabricante de hasta tres años (dos años de garantía estándar y otro adicional al registrarte). Estos términos y condiciones se aplican solamente a la garantía del fabricante; tus derechos legales no se verán afectados.

A continuación, se detallan los requisitos previos y el alcance de nuestra garantía. Dichas condiciones no afectan a tus derechos legales, a las obligaciones de tu proveedor ni a los acuerdos que hayas estipulado con él.

Garantías de Shark®

Tu producto de Shark supone una inversión considerable. El nuevo limpiador de manchas debe funcionar correctamente el mayor tiempo posible. La garantía que lo acompaña constituye un compromiso importante y refleja el grado de confianza del fabricante en la calidad de sus productos y de la fabricación de los mismos. Todos los productos de Shark están respaldados por una garantía gratuita contra defectos de materiales y mano de obra. También puedes obtener asistencia en línea en sharkclean.es

¿Cómo debo registrar mi garantía Shark?

Puedes registrar tu garantía en línea en un plazo de 28 días a partir de la fecha de compra. Para ahorrar tiempo, te informamos de que necesitarás los siguientes datos de tu limpiador de manchas:

- Fecha de compra (factura, recibo o albarán).

IMPORTANTE:

- La garantía solo cubre el producto a partir de la fecha de compra.
- Conserva el recibo en todo momento. Si necesitas utilizar la garantía, deberás proporcionarnos el documento de compra para comprobar que la información que nos has suministrado es correcta. En caso de no disponer del comprobante de compra, la garantía podría dejar de ser válida

¿Cuáles son las ventajas de registrar mi garantía gratuita Shark?

Al registrarte, nos autorizas a disponer de tus datos por si necesitamos contactar contigo.

También podrás recibir consejos para optimizar el uso de tu producto de Shark, así como información sobre nuevos productos y tecnologías de Shark®. Si registras tu garantía en línea, recibirás inmediatamente la confirmación de que nos han llegado tus datos.

¿Cuánto duran las garantías de los productos nuevos de Shark?

La confianza en nuestro diseño y en nuestro control de calidad significa que tu nueva unidad Shark está garantizada durante un total de tres años.

¿Qué cubre la garantía gratuita de Shark?

Reparación o sustitución de tu producto de Shark (a discreción de Shark), incluidas todas las piezas y la mano de obra. La garantía de Shark es adicional a tus derechos legales como consumidor.

¿Qué aspectos no cubre la garantía gratuita Shark?

Al registrarte, nos autorizas a disponer de tus datos por si necesitamos contactar contigo.

También podrás recibir consejos para optimizar el uso de tu producto de Shark, así como información sobre nuevos productos y tecnologías de Shark®. Si registras tu garantía en línea, recibirás inmediatamente la confirmación de que nos han llegado tus datos.

1. El desgaste normal de las piezas (como es el caso de los accesorios). Se pueden adquirir piezas de recambio en sharkclean.eu
2. Daños causados por un uso incorrecto, abusivo o una manipulación negligente, por no llevar a cabo el mantenimiento necesario o debido a una mala manipulación durante el transporte.
3. Daños causados por un mantenimiento no autorizado por Shark.

¿Dónde puedo adquirir recambios y accesorios originales Shark?

Los recambios y los accesorios de Shark los han diseñado los mismos ingenieros que han desarrollado tu producto de Shark. Puedes ver el catálogo completo de recambios, piezas de repuesto y accesorios de todos los productos de Shark en sharkclean.eu

Recuerda que es posible que la garantía no cubra los daños causados por el uso de recambios que no sean de Shark.

TABLE DES MATIÈRES

Consignes de sécurité importantes	43
Inclus avec le produit	44
Démarrage	45
Utilisation de l'embout	46
Entretien	47
Nettoyage du réservoir à eaux grises	47
Nettoyage des embouts	47
Désobstruction du système	47
Rangement de votre appareil	48
Guide de nettoyage et de séchage	48
Solutions nettoyantes Shark	49
Caractéristiques techniques	49
Résolution des problèmes	50
Garantie	51



Ce marquage indique que cet appareil ne doit pas être jeté avec les autres déchets ménagers. Pour prévenir une éventuelle nocivité pour l'environnement ou la santé résultant de la mise au rebut non conforme des déchets, recyclez l'appareil de manière responsable afin de favoriser la réutilisation rationnelle des matériaux. Pour renvoyer votre appareil usagé, utilisez les systèmes de retour et de collecte, ou contactez le détaillant auprès duquel cet appareil a été acheté. Celui-ci pourra procéder au recyclage de cet appareil dans le respect de l'environnement.

CONSIGNES DE SÉCURITÉ IMPORTANTES - DESTINÉ À UN USAGE DOMESTIQUE UNIQUEMENT

LIRE ATTENTIVEMENT AVANT UTILISATION - CONSERVER CETTE NOTICE D'UTILISATION. DESTINÉ À UN USAGE DOMESTIQUE UNIQUEMENT ; LIRE LA NOTICE D'UTILISATION AVANT D'UTILISER CE NETTOYEUR DÉTACHANT POUR TAPIS, MOQUETTES ET TISSUS D'AMEUBLEMENT

⚠ AVERTISSEMENT AFIN DE RÉDUIRE LES RISQUES D'INCENDIE, DE CHOCS ÉLECTRIQUES, DE BLESSURES OU DE DOMMAGES MATÉRIELS:

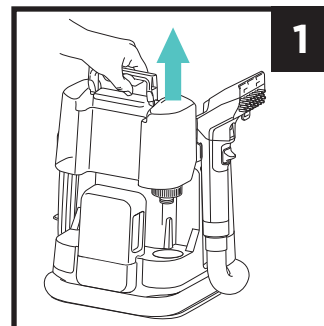
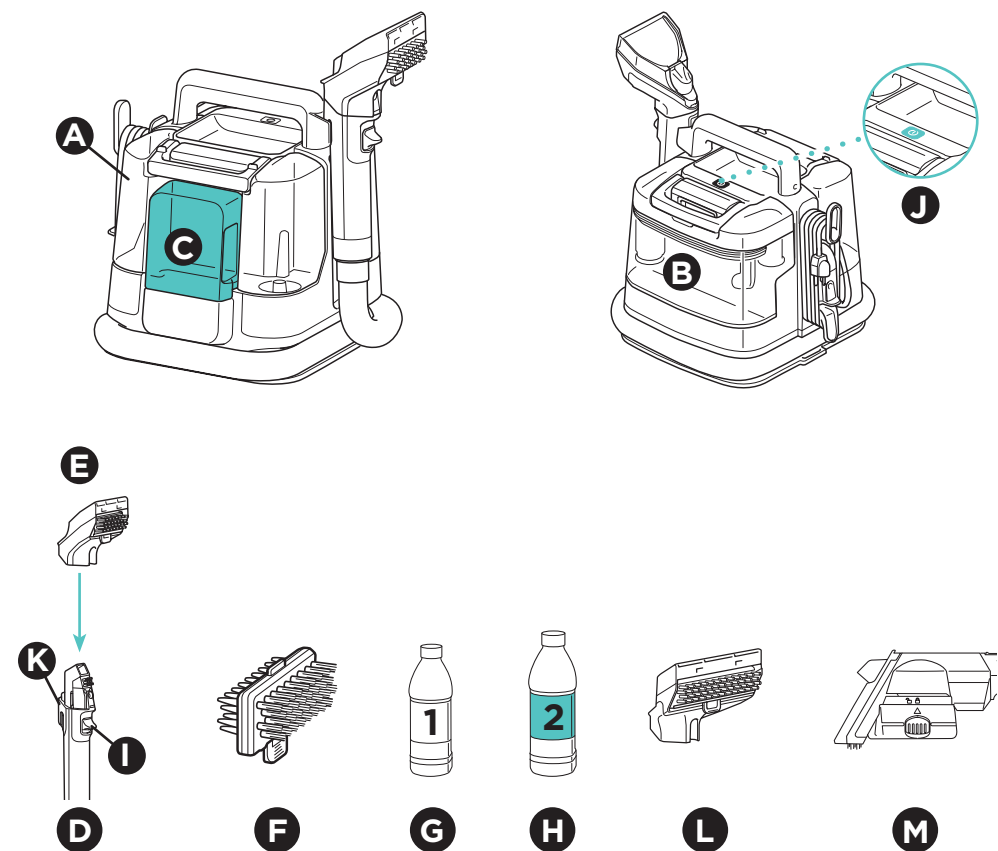
Cet appareil n'est pas conçu pour être utilisé par des personnes dont les capacités physiques, sensorielles ou mentales sont réduites, ou présentant un manque d'expérience et de connaissances, sauf si elles sont sous la surveillance ou ont reçu des informations d'utilisation de l'appareil d'une personne responsable de leur sécurité. Les enfants ne doivent ni utiliser cet appareil, ni jouer avec. Il est recommandé de veiller à tenir les enfants éloignés de l'appareil pendant son utilisation. Il est également conseillé de consulter la notice d'utilisation et d'entretien du fabricant de votre revêtement de sol avant d'utiliser le nettoyeur détachant StainStriker.

1. Une mauvaise connexion du conducteur de mise à la terre de l'équipement peut entraîner un risque d'électrocution. Vérifier auprès d'un électricien qualifié ou d'un technicien si vous avez des doutes sur la mise à la terre de la prise.
2. **NE PAS** modifier la fiche fournie avec l'appareil.
3. **NE PAS** forcer pour l'enfoncer dans la prise électrique ou essayer de la modifier.
4. **NE PAS** tirer, fermer la porte ou enrouler le cordon autour de bords ou de coins tranchants. Pour débrancher l'appareil, saisir la fiche et non le cordon d'alimentation. Éloigner le cordon d'alimentation des surfaces chaudes.
5. Pour réduire le risque d'incendie ou de choc électrique dû à l'endommagement des composants internes, utiliser UNIQUEMENT la formule Shark Deep Clean Oxy Multiplier dans les réservoirs appropriés, comme prévu pour l'utilisation de cet appareil. Voir les consignes dans cette notice d'utilisation.
6. Les zones autour de l'endroit où vous nettoyez peuvent devenir humides. Faire attention à ne pas glisser et à ne pas tomber.
7. Faire preuve de prudence lorsque vous retirez et remettez l'aspirateur à main sur le nettoyeur détachant afin d'éviter toute activation accidentelle de la solution de nettoyage.
8. **NE PAS** vaporiser la solution sur la peau ou dans les yeux.
9. **NE PAS** remplir les réservoirs de solution lorsqu'ils sont installés sur l'appareil. Enlever avant de remplir.
10. **NE PAS** faire fonctionner l'appareil si les surfaces extérieures de l'appareil sont mouillées. S'il est mouillé, sécher l'appareil avec un chiffon avant de l'utiliser.
11. Pour réduire le risque de choc et de démarrage intempestif, éteindre et débrancher le nettoyeur détachant avant tout réglage, nettoyage, entretien ou dépannage.
12. Avant toute utilisation, bien vérifier qu'aucune pièce n'est endommagée ou usée. Si une pièce est endommagée ou usée, cesser immédiatement l'utilisation. **NE PAS** utiliser si une pièce est endommagée ou si le nettoyeur détachant ne fonctionne pas correctement, s'il est tombé par terre, a été laissé à l'extérieur ou a été immergé dans l'eau.
13. **NE PAS** immerger ni vaporiser de l'eau sur le corps du nettoyeur détachant. Utiliser un chiffon sec pour nettoyer la surface.
14. **NE PAS** permettre aux enfants de l'utiliser ou de s'en servir comme un jouet. Redoubler de vigilance en cas d'utilisation de l'appareil à proximité d'enfants.
15. **NE PAS** manipuler la fiche ou le nettoyeur détachant avec les mains mouillées.
16. **NE PAS** utiliser sans avoir installé le réservoir d'eau sale, le réservoir de solution propre et le filtre.
17. Utiliser uniquement des pièces de rechange Shark® identiques aux pièces originales. Utiliser uniquement des filtres et accessoires de la marque Shark®.
18. Lorsque l'appareil est branché sur une rallonge, veiller à ce que le cordon ne fasse pas plus de 15 m pour éviter d'endommager le moteur.
19. **NE PAS** placer le nettoyeur détachant sur des surfaces irrégulières.
20. **NE PAS** utiliser l'appareil pour aspirer :
 - a) De gros objets
 - b) Des objets durs ou tranchants (verre, clous, vis ou pièces de monnaie)
 - c) De grosses quantités de poussière (par ex. poussière de plâtre)
 - d) Des objets fumants ou en cours de combustion (cendres chaudes, mégots de cigarettes ou allumettes)
 - e) Des produits inflammables ou combustibles (essence à briquet, carburant ou kérosène)
 - f) Des solutions toxiques (eau de javel, ammoniac ou nettoyant pour canalisations)
21. **NE PAS** utiliser l'appareil dans les zones suivantes :
 - a) Zones peu éclairées
 - b) Zones extérieures
 - c) Espaces fermés pouvant contenir des vapeurs ou fumées explosives ou toxiques (essence à briquet, carburant, kérosène, peinture, diluants à peinture, produits antimites ou poussières inflammables)

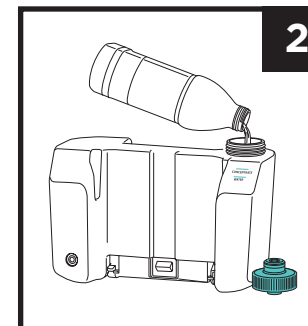
NE PAS : Déclencher la gâchette du pulvérisateur à moins de la diriger vers la zone affectée. AVERTISSEMENT : Peut continuer à pulvériser lorsque l'appareil est éteint.

- A** Réservoir Deep Clean Pro
- B** Réservoir d'eau sale
- C** Réservoir StainStriker
- D** Suceur plat
- E** Embout pour taches difficiles
- F** 2 picots réversibles
- G** Formule Deep Clean Pro 177ml

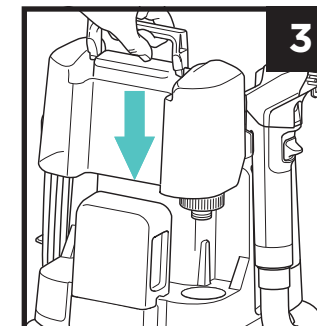
- H** Formule OXY Multiplier 355ml
- I** Gâchette de pulvérisation
- J** Bouton d'alimentation
- K** Bouton de déverrouillage
- L** Embout large pour taches difficiles*
- M** Embout spécial animaux*



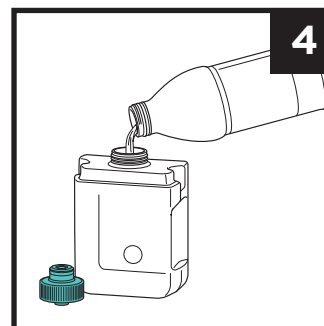
1. Détacher le réservoir Deep Clean Pro de l'appareil. Retourner le réservoir, dévisser et enlever le bouchon.



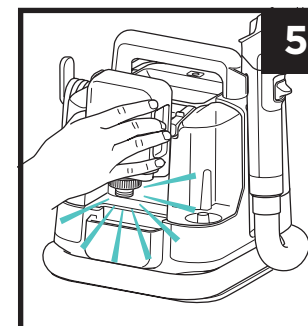
2. Remplir d'eau le réservoir Deep Clean Pro jusqu'à la ligne de remplissage WATER. Puis ajouter la formule Deep Clean Pro jusqu'à la ligne de remplissage CONCENTRATE.



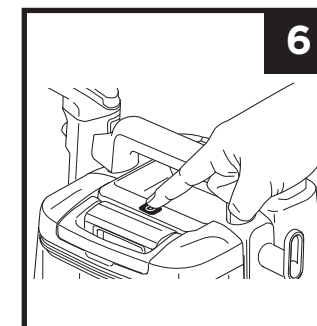
3. Révisser le bouchon et réinsérer le réservoir jusqu'à ce qu'il s'enclenche.



4. Détacher le réservoir StainStriker de l'appareil et le retourner. Dévisser le bouchon et verser la formule pour le StainStriker dans le réservoir.



5. Révisser le bouchon et réinsérer le réservoir jusqu'à ce qu'il s'enclenche.



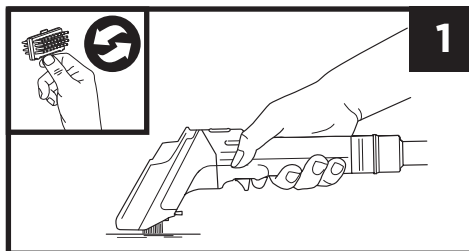
6. Dérouler le cordon d'alimentation et le brancher dans une prise de courant. Mettre l'appareil en **MARCHE** pour commencer le nettoyage.

* Embouts vendus avec le modèle PX200EUT spécial animaux (ou vendus séparément)

REMARQUE : tous les accessoires ne sont pas fournis avec tous les appareils. Les embouts peuvent varier selon le modèle. Pour les accessoires complémentaires disponibles, rendez-vous sur www.sharkclean.eu

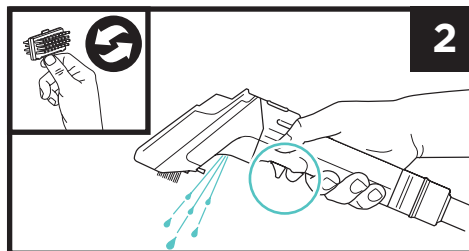
IMPORTANT : Passer d'abord l'aspirateur traditionnel avant d'utiliser le StainStriker. Utiliser **UNIQUEMENT** les solutions de nettoyage Deep Clean Pro/Oxy Multiplier, de la marque Shark.

NETTOYAGE DE TACHES LIQUIDES



1. Pour les liquides, suivre le guide des taches situé sur l'aspirateur à main. Mettre l'appareil en marche à l'aide du bouton d'alimentation et aspirer les salissures liquides. Vaporiser la zone de la tache. Frotter avec les picots, puis incliner l'aspirateur à main vers l'avant et le faire glisser sur la zone tachée pour en extraire le liquide. Répéter si nécessaire. Pour éviter des temps de séchage plus longs, ne pas trop pulvériser.

NETTOYAGE DE TACHES SÈCHES



2. Pour les taches sèches, suivre le guide des taches situé sur l'aspirateur à main. Mettre l'appareil en marche à l'aide du bouton d'alimentation. Frotter la zone tachée, vaporiser et frotter à nouveau, puis incliner l'aspirateur à main vers l'avant et le faire glisser sur la zone tachée pour en extraire le liquide. Répéter si nécessaire. Pour éviter des temps de séchage plus longs, ne pas trop pulvériser.

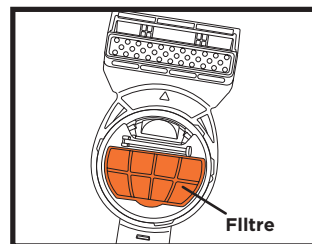
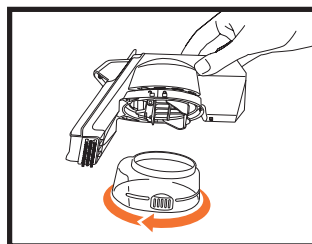
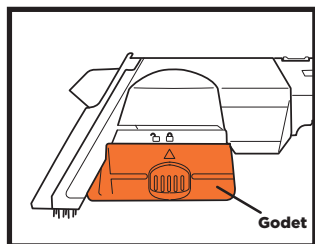
Remarque : Pour les zones difficiles d'accès, l'appareil peut être utilisé sans l'aide d'un accessoire d'aspirateur à main, avec uniquement le suceur plat.

Conseil : Choisir les picots - Les picots en caoutchouc conviennent mieux aux surfaces plus délicates et aux tissus d'ameublement. Les picots rigides sont idéaux pour frotter les surfaces résistantes à l'usure.

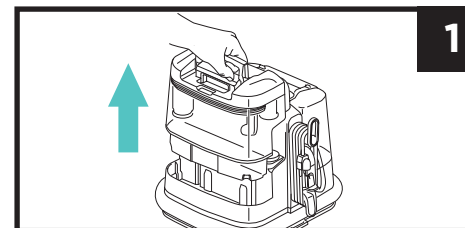
EMBOÛT SPÉCIAL ANIMAUX

L'embout spécial animaux de Shark est inclus avec certains modèles. Cela permet d'extraire les salissures non hygiéniques et d'éviter qu'elles n'atteignent le tuyau et l'intérieur de l'appareil. **NE PAS** utiliser l'appareil pour enlever les poils d'animaux. Pour l'utiliser, vaporiser la salissure mouillée, puis l'extraire comme indiqué ci-dessus. Pour éviter la sursaturation, ne pas trop pulvériser. **NE PAS** dépasser la ligne de **REMPLISSAGE MAX** sur le godet de l'embout spécial animaux.

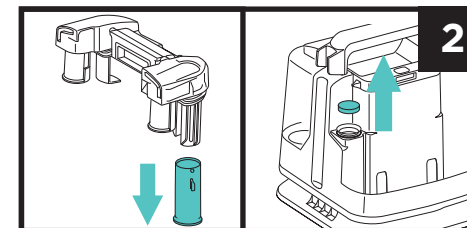
Maintenir l'outil à l'horizontale, sans le faire basculer, afin d'éviter que les salissures n'atteignent le tuyau. Après utilisation, couper l'alimentation de l'appareil principal et vider le godet de l'embout, le cas échéant. Laver soigneusement le godet, le filtre et le reste de l'outil avec de l'eau et du savon après chaque utilisation.



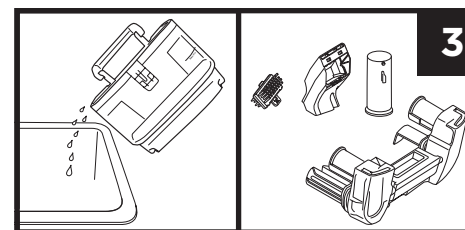
ENTRETIEN



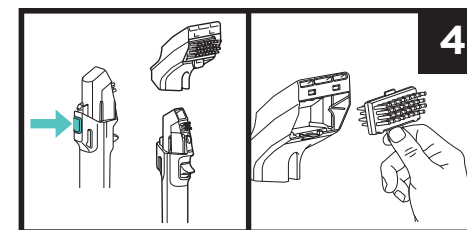
1. Détacher le réservoir d'eau sale. Maintenir le réservoir en position verticale et le poser sur une surface plane. Pousser la poignée à fond vers l'arrière jusqu'à entendre un clic, puis soulever le couvercle.



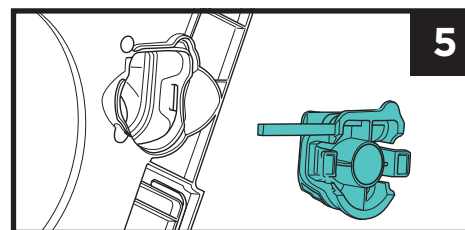
2. Nettoyer la soupape à flotteur et s'assurer qu'elle peut bouger librement. Retirer le filtre en mousse de l'appareil pendant le nettoyage.



3. Vider convenablement le liquide sale du réservoir d'eau sale, en tapotant sur les débris détachés. Nettoyer tout autre débris sur les outils à main, les poils, le couvercle et la soupape à flotteur. Rincer soigneusement toutes les pièces avec de l'eau et du savon et les laisser sécher complètement à l'air avant de les réinstaller.



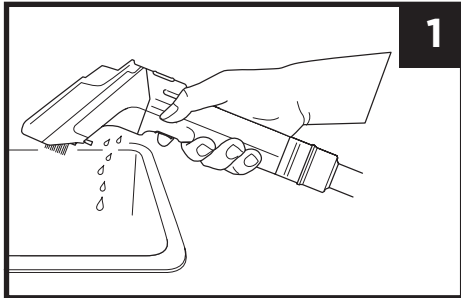
4. Détacher l'aspirateur à main en appuyant sur le bouton de déverrouillage. Retirer le capot de l'aspirateur à main pour nettoyer le passage d'air. Laver soigneusement les picots de l'aspirateur à main.



5. Pour éliminer tout débris accumulé, retirer le clip de connexion situé sur la partie inférieure de l'appareil. Éliminer tous les débris, puis fermer la porte.

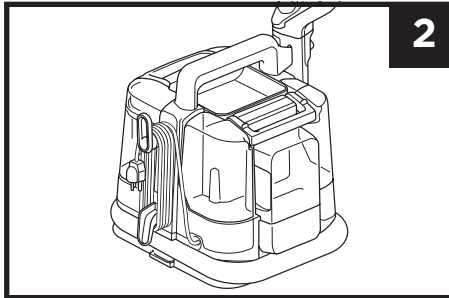
NOTE: Nettoyer l'appareil après chaque utilisation pour éviter les odeurs, les bactéries et les moisissures.

RANGEMENT



1

1. Débrancher l'appareil et le placer près d'un évier, des toilettes ou d'un égout pour vider le liquide restant dans l'outil fixé. Nettoyer l'appareil et toutes les pièces (voir les sections Entretien).



2

2. Une fois le nettoyage terminé et toutes les pièces séchées, rattacher tous les outils. Enrouler le cordon d'alimentation, puis ranger l'outil de nettoyage du tuyau sur l'appareil. Enrouler le tuyau autour de la base de l'appareil.

GUIDE DE NETTOYAGE ET DE SÉCHAGE

NETTOYAGE :

- Lors de l'application de la solution de nettoyage, ne recouvrir la tache qu'au début du processus de nettoyage. Éviter de sursaturer la zone ou de la pulvériser continuellement pendant le nettoyage.
- Pour les taches plus anciennes et plus résistantes, attendre 5 à 20 minutes pour que la solution nettoyante pénètre dans la tache et commence à agir.
- Les taches récentes peuvent être nettoyées immédiatement après la pulvérisation.
- Veiller à toujours bien frotter la zone pour déloger les saletés. Brosser dans plusieurs directions pour obtenir de meilleurs résultats.
- Veiller à toujours utiliser les bonnes mesures de dilution de la solution lors de la préparation de l'appareil pour le nettoyage.

SÉCHAGE :

- Lors de l'extraction du liquide, passer sur la zone de nettoyage de manière uniforme, en appliquant une pression vers le bas tout au long du processus.
- Incliner l'aspirateur à main pour engager les orifices d'aspiration parallèlement à la surface à nettoyer, afin d'obtenir une aspiration optimale.
- Continuer à passer sur la zone de nettoyage jusqu'à ce que le liquide ne s'écoule plus par la fenêtre de l'aspirateur à main.

Pour plus d'informations, scanner le QR code pour visionner les

TUTORIELS VIDÉO.



FORMULES DE NETTOYAGE



1

Shark Deep Clean Pro
Formule pro de nettoyage en profondeur des tapis pour éliminer la saleté et la crasse.



2

Shark OXY Multiplier
Formule qui élimine les taches tenaces et les odeurs.



Scanner le QR code pour commander des recharges de Shark Deep Clean Pro et Shark OxyMultiplier.

CARACTÉRISTIQUES TECHNIQUES

Série PX200: 220-240V~, 50-60Hz, 450W

INFORMATIONS À CONSERVER

Numéro de modèle : _____

Date d'achat : _____
(Conserver le reçu)

Boutique d'achat : _____

©2024 SharkNinja Operating LLC.
SharkNinja Europe Limited, 1st/2nd Floor Building 3150, Thorpe Park, Century Way, Leeds, England, LS15 8ZB

+33 (800) 908874 / www.sharkclean.eu / serviceclients.fr@sharkninja.com

SharkNinja Germany GmbH, Rotfeder-Ring 9, 60327 Frankfurt am Main, Germany

SHARK et STAINSTRIKER sont des marques déposées dans l'Union Européenne de SharkNinja Operating LLC.
Les illustrations peuvent être différentes du produit réel.

RÉSOLUTION DES PROBLÈMES

Problème	Solution
Pulvérisation irrégulière ou absence de pulvérisation	Assurez-vous que les deux réservoirs de solution contiennent une solution de nettoyage. Assurez-vous que le réservoir Deep Clean Pro est correctement installé. Assurez-vous que l'appareil est branché et qu'il est sous tension.
Peu ou pas d'aspiration	Assurez-vous que le réservoir d'eau sale n'est pas trop rempli et qu'il est installé correctement. Vérifiez le point d'accès aux bouchons situé sous l'appareil et éliminez les débris coincés à l'intérieur à l'extrémité du tuyau. Si un outil de nettoyage est fixé, assurez-vous qu'il est correctement connecté. Retirez tout débris des accessoires de nettoyage.
L'appareil ne s'allume pas	Assurez-vous que l'appareil est complètement branché. Essayez une prise différente. Assurez-vous que le bouton Marche/Arrêt a été enfoncé.
Fuite de liquide de l'appareil	Le réservoir d'eau sale est peut-être trop rempli. Assurez-vous que le réservoir d'eau sale et le réservoir Deep Clean Pro sont tous deux installés correctement. Assurez-vous que la soupape à flotteur du réservoir d'eau sale n'est pas bloquée. Assurez-vous que l'appareil se trouve sur une surface stable et plane.
Fuite des réservoirs de solution	Assurez-vous que les bouchons des réservoirs de solution sont bien serrés. Assurez-vous que les deux réservoirs sont installés correctement et que les bouchons se sont enclenchés.

CONTRAT DE GARANTIE COMMERCIALE

Lorsqu'un client achète un produit en Europe, il bénéficie des droits légaux relatifs à la qualité du produit (vos droits légaux : garantie légale de conformité de 2 ans à compter de la délivrance et garantie légale des vices cachés de 2 ans à compter de la découverte du vice). Le client peut faire valoir ces droits à l'encontre de son détaillant. Shark a une grande confiance dans la qualité de ses produits et fournit donc une garantie commerciale supplémentaire gratuite pouvant aller jusqu'à deux ans.

Ces conditions contractuelles se réfèrent uniquement à la garantie commerciale et ne portent aucune atteinte à vos droits légaux. Nos conditions de garantie commerciale sont les suivantes. Elles n'affectent en rien vos droits légaux ni les obligations de votre revendeur à votre égard.

Garantie commerciale Shark®

Votre appareil Shark constitue un investissement important. Votre nouvel appareil doit donc fonctionner correctement le plus longtemps possible. La garantie commerciale fournie avec l'appareil reflète la confiance du fabricant dans ses produits et témoigne de leur qualité de fabrication.

Chaque produit Shark® bénéficie de garanties légales (conformité et vices cachés). Notre service client (+33 (800) 908874) est ouvert du lundi au vendredi de 9h à 20h, le samedi de 9h à 19h et le dimanche de 10h à 18h30. L'appel est gratuit et vous serez directement mis en relation avec un représentant Shark. Vous trouverez également une assistance en ligne sur le site sharkclean.eu.

Comment puis-je enregistrer ma garantie commerciale Shark ?

Vous pouvez enregistrer votre garantie commerciale en ligne dans un délai de 28 jours après la date d'achat de votre produit. Pour gagner du temps, préparez les informations suivantes à propos de votre appareil :

- Date d'achat de l'appareil (ticket de caisse ou bon de livraison)

Pour l'enregistrer en ligne, rendez-vous sur le site sharkclean.eu. "**Les produits achetés directement auprès de Shark® sont automatiquement enregistrés.**"

IMPORTANT

- La garantie commerciale couvre votre Produit pendant 2 ans à partir de la date d'achat

- Il est indispensable de conserver le justificatif d'achat.

Pour utiliser la garantie commerciale, vous devez présenter votre justificatif d'achat afin que nous puissions vérifier vos droits. L'impossibilité de présenter un justificatif d'achat valable peut annuler la garantie commerciale.

Quels sont les avantages de l'enregistrement de ma garantie commerciale gratuite Shark ?

Si vous enregistrez votre garantie commerciale, nous disposons de vos coordonnées au cas où nous aurions besoin de vous contacter.

Vous pourrez également recevoir des conseils et astuces pour vous aider à mieux utiliser votre appareil Shark, et des informations concernant les nouvelles technologies et les nouveaux produits Shark®. Si vous enregistrez votre garantie commerciale en ligne, vous recevrez immédiatement la confirmation de la réception de vos coordonnées.

Quelle est la durée de la garantie commerciale pour les appareils Shark neufs ?

Compte tenu de notre confiance dans notre design et notre contrôle qualité, votre nouvel appareil Shark est garanti pour une durée totale de deux ans à partir de la date d'achat.

Qu'est-ce qui est couvert par la garantie commerciale Shark ?

La réparation ou le remplacement de votre appareil Shark® (à la discrétion de Shark®), y compris les pièces et la main-d'œuvre. Cette garantie Shark® s'ajoute à vos droits légaux en tant que consommateur.

Qu'est-ce qui n'est pas couvert par la garantie commerciale Shark ?

1. L'usure normale des pièces d'usure (comme les accessoires) n'est pas couverte par cette garantie. Les pièces de rechange peuvent être achetées sur le site sharkclean.eu.

2. Dommages causés par une utilisation incorrecte ou abusive, une manipulation négligente, un manquement à l'entretien requis ou des dommages dus à une mauvaise manipulation pendant le transport.

3. Dommages causés par une maintenance non autorisée par Shark.

Que se passe-t-il lorsque ma garantie commerciale arrive à échéance ?

Shark conçoit des produits destinés à durer longtemps. Toutefois, il se peut que certains de nos clients souhaitent faire réparer leur appareil après la fin de la garantie commerciale. Dans ce cas, veuillez contacter notre service client et demander des renseignements sur notre programme d'intervention hors garantie commerciale au +33 (800) 908874.

Où puis-je acheter des pièces de rechange et des accessoires d'origine Shark ?

Les pièces de rechange et les accessoires Shark sont développés par les mêmes ingénieurs qui ont conçu votre appareil Shark. Vous trouverez une gamme complète de pièces de rechange et d'accessoires Shark pour tous les appareils Shark sur le site sharkclean.eu.

Veuillez noter que la garantie commerciale ne couvre pas les dommages résultant de l'installation ou de l'utilisation de pièces détachées autres que les pièces détachées Shark.

GARANTIES LÉGALES

Cette garantie commerciale s'applique sans préjudice du droit du consommateur de bénéficier de la garantie légale de conformité, dans les conditions prévues aux articles L217-3 et suivants du code de la consommation et de celle relative aux vices cachés, dans les conditions prévues aux articles 1641 à 1648 et 2232 du code civil.

Le consommateur dispose d'un délai de deux ans à compter de la délivrance du bien pour obtenir la mise en œuvre de la garantie légale de conformité en cas d'apparition d'un défaut de conformité. Durant ce délai, le consommateur n'est tenu d'établir que l'existence du défaut de conformité et non la date d'apparition de celui-ci.

Lorsque le contrat de vente du bien prévoit la fourniture d'un contenu numérique ou d'un service numérique de manière continue pendant une durée supérieure à deux ans, la garantie légale est applicable à ce contenu numérique ou ce service numérique tout au long de la période de fourniture prévue. Durant ce délai, le consommateur n'est tenu d'établir que l'existence du défaut de conformité affectant le contenu numérique ou le service numérique et non la date d'apparition de celui-ci.

La garantie légale de conformité emporte obligation pour le professionnel, le cas échéant, de fournir toutes les mises à jour nécessaires au maintien de la conformité du bien.

La garantie légale de conformité donne au consommateur droit à la réparation ou au remplacement du bien dans un délai de trente jours suivant sa demande, sans frais et sans inconvénient majeur pour lui.

Si le bien est réparé dans le cadre de la garantie légale de conformité, le consommateur bénéficie d'une extension de six mois de la garantie initiale.

Si le consommateur demande la réparation du bien, mais que le vendeur impose le remplacement, la garantie légale de conformité est renouvelée pour une période de deux ans à compter de la date de remplacement du bien.

Le consommateur peut obtenir une réduction du prix d'achat en conservant le bien ou mettre fin au contrat en se faisant rembourser intégralement contre restitution du bien, si :

- 1° Le professionnel refuse de réparer ou de remplacer le bien ;
- 2° La réparation ou le remplacement du bien intervient après un délai de trente jours ;

3° La réparation ou le remplacement du bien occasionne un inconvénient majeur pour le consommateur, notamment lorsque le consommateur supporte définitivement les frais de reprise ou d'enlèvement du bien non conforme, ou s'il supporte les frais d'installation du bien réparé ou de remplacement ;

4° La non-conformité du bien persiste en dépit de la tentative de mise en conformité du vendeur restée infructueuse.

Le consommateur a également droit à une réduction du prix du bien ou à la résolution du contrat lorsque le défaut de conformité est si grave qu'il justifie que la réduction du prix ou la résolution du contrat soit immédiate. Le consommateur n'est alors pas tenu de demander la réparation ou le remplacement du bien au préalable.

Le consommateur n'a pas droit à la résolution de la vente si le défaut de conformité est mineur.

Toute période d'immobilisation du bien en vue de sa réparation ou de son remplacement suspend la garantie qui restait à courir jusqu'à la délivrance du bien remis en état.

Les droits mentionnés ci-dessus résultent de l'application des articles L. 217-1 à L. 217-32 du code de la consommation.

Le vendeur qui fait obstacle de mauvaise foi à la mise en œuvre de la garantie légale de conformité encourt une amende civile d'un montant maximal de 300 000 euros, qui peut être porté jusqu'à 10 % du chiffre d'affaires moyen annuel (article L. 241-5 du code de la consommation).

Le consommateur bénéficie également de la garantie légale des vices cachés en application des articles 1641 à 1649 du code civil, pendant une durée de deux ans à compter de la découverte du défaut. Cette garantie donne droit à une réduction de prix si le bien est conservé ou à un remboursement intégral contre restitution du bien. »

SharkNinja Europe Ltd, 3150 Century Way, Leeds, LS15 8ZB, United Kingdom

Numéro gratuit du service client - +33800908874

Adresse e-mail - serviceclients.fr@sharkninja.com

SOMMARIO

Importanti istruzioni di sicurezza	53
Contenuto della confezione	54
Introduzione	55
Utilizzo dell'accessorio manuale	56
Manutenzione	57
Pulizia del serbatoio dell'acqua sporca	57
Pulizia degli accessori manuali	57
Rimozione di eventuali ostruzioni	57
Conservazione	58
Guida per la pulizia e l'asciugatura	58
Soluzione detergente Shark	59
Specifiche tecniche	59
Risoluzione dei problemi	60
Garanzia	61



Deze markering geeft aan dat dit product niet bij het overige huisvuil mag worden weggegooid. Om schade aan het milieu of de gezondheid van de mens door ongecontroleerd weggooien van afval te voorkomen, moet u het afval op een verantwoordelijke manier recyclen om het duurzame hergebruik van materialen te bevorderen. Om uw gebruikte apparaat retour te sturen kunt u gebruikmaken van het retour- en inzamelsysteem of contact opnemen met de winkelier waar u dit product heeft gekocht. Zij kunnen dit product innemen, zodat het milieuvriendelijk zal worden gerecycled.

Scansiona il codice QR per visualizzare i **VIDEO TUTORIAL** e molto altro.



IMPORTANTI ISTRUZIONI DI SICUREZZA - SOLO PER USO DOMESTICO

LEGGERE ATTENTAMENTE PRIMA DELL'USO E CONSERVARE QUESTE ISTRUZIONI. SOLO PER USO DOMESTICO; LEGGERE ATTENTAMENTE LE ISTRUZIONI PRIMA DI UTILIZZARE IL BATTITAPPETO/SMACCHIATORE

AVVERTENZA PER RIDURRE IL RISCHIO DI INCENDIO, ELETTROCUZIONE, LESIONI O DANNI MATERIALI:

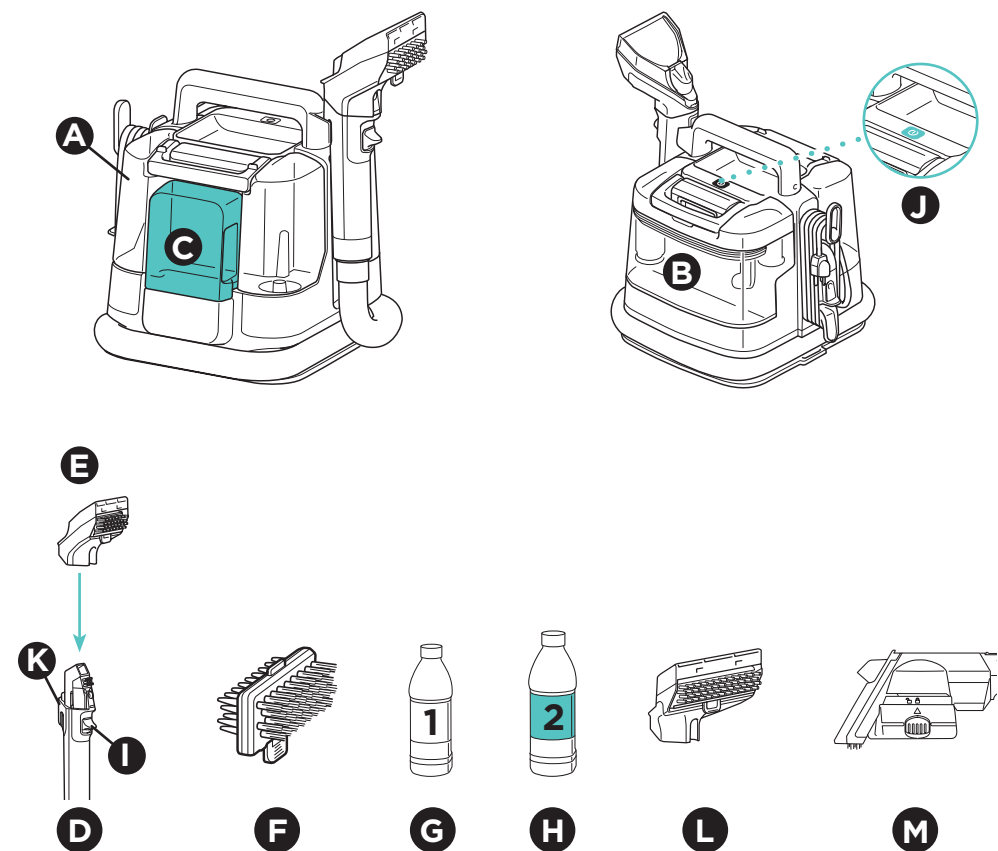
Questo apparecchio non è destinato all'utilizzo da parte di persone con capacità fisiche, sensoriali o mentali ridotte o prive di esperienza e conoscenza, a meno che non vengano supervisionate o adeguatamente istruite sul relativo uso da una persona responsabile della loro sicurezza. Non permettere ai bambini di azionare l'apparecchio o di usarlo come un giocattolo. Tenere sempre l'elettrodomestico fuori dalla portata dei bambini durante l'utilizzo. Si raccomanda di consultare le istruzioni del produttore per l'uso e la manutenzione dei pavimenti prima di utilizzare l'apparecchio.

- Un collegamento non corretto del connettore di messa a terra dell'apparecchiatura potrebbe comportare un rischio di elettrocuzione. Verificare con un elettricista qualificato o il personale addetto alla manutenzione la corretta messa a terra della presa.
- NON** modificare la spina in dotazione con l'apparecchio.
- NON** forzare per farla entrare nella presa elettrica e non provare a modificarla per favorire l'inserimento.
- NON** tirare il cavo, non intrappolarlo sotto una porta e non avvolgerlo attorno a spigoli o angoli. Per eseguire questa operazione, afferrare la spina, non il cavo. Tenere il cavo lontano da superfici riscaldate.
- Per ridurre il rischio di incendio o di elettrocuzione dovuti a danni a componenti interni, inserire negli appositi serbatoi SOLO soluzioni Shark Deep Clean Pro/StainStriker destinate all'uso con questo apparecchio. Consultare le istruzioni in questa guida.
- Le zone circostanti a quella di pulizia potrebbero bagnarsi, fare attenzione a non scivolare o cadere.
- Rimuovere e riagganciare l'accessorio manuale dello smacchiatore con attenzione per evitare l'attivazione accidentale della soluzione detergente.
- NON** spruzzare la soluzione sulla pelle o sugli occhi.
- NON** riempire i serbatoi della soluzione quando sono installati sull'apparecchio. Rimuovere prima del riempimento.
- NON** azionare l'apparecchio se la sua superficie esterna risulta bagnata. In tal caso, asciugare con un panno prima dell'uso.
- Per ridurre il rischio di elettrocuzione e di funzionamento accidentale, spegnere e scollegare lo smacchiatore prima di qualsiasi intervento di manutenzione, riparazione, assistenza o pulizia.
- Prima di ogni utilizzo, controllare tutte le parti dell'apparecchio per individuare eventuali danni o segni di usura. Se sono presenti danni o segni di usura, interrompere immediatamente l'uso dell'apparecchio. **NON** utilizzare lo smacchiatore se non è correttamente funzionante, ha subito urti, è stato lasciato all'aperto o è caduto in acqua.
- NON** immergere o spruzzare con acqua il corpo dello smacchiatore. Pulire la superficie con un panno asciutto.
- NON** consentirne l'utilizzo come giocattolo. Tenere lontano dalla portata dei bambini. Prestare estrema attenzione quando si utilizza in prossimità di bambini.
- NON** maneggiare la spina o lo smacchiatore con le mani bagnate.
- NON** usare l'apparecchio senza prima aver montato il serbatoio dell'acqua sporca, il serbatoio della soluzione detergente e il filtro.
- Utilizzare solo pezzi di ricambio originali Shark®. Utilizzare solo filtri e accessori di marchio Shark®.
- Se l'unità viene collegata a una prolunga, assicurarsi che questa non sia più lunga di 15 m per evitare danni al motore.
- NON** collocare lo smacchiatore su superfici irregolari.
- NON** utilizzare per aspirare:
 - Oggetti di grandi dimensioni
 - Oggetti duri o appuntiti (vetro, chiodi, viti o monete)
 - Quantità consistenti di polvere (ad es. polvere di gesso)
 - Oggetti fumanti o roventi (carboni ardenti, mozziconi di sigarette o fiammiferi)
 - Materiali infiammabili o combustibili (liquido per accendini, benzina o cherosene)
 - Sostanze tossiche (candeggina, ammoniaca o liquido disingorgante)
- NON** utilizzare in presenza delle seguenti condizioni:
 - Spazi poco illuminati
 - Aree esterne
 - Spazi chiusi e che possono contenere esplosivi oppure fumi o vapori tossici (liquidi per accendini, benzina, cherosene, vernici, diluenti, sostanze antitarre o polvere infiammabile).

NON azionare il grilletto spruzzatore a meno che non sia rivolto verso l'area interessata. **AVVERTENZA:** potrebbe spruzzare anche quando l'unità è spenta.

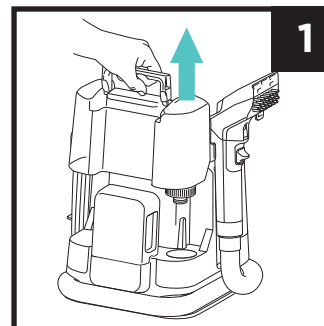
- A** Serbatoio Deep Clean Pro
- B** Serbatoio dell'acqua sporca
- C** Bocchetta per fessure
- D** Bocchetta per fessure
- E** Accessorio per macchie ostinate
- F** 2 spazzole reversibili
- G** 177 ml Soluzione Deep Clean Pro

- H** 355 ml Soluzione OXY Multiplier
- I** Grilletto spruzzatore
- J** Pulsante di accensione
- K** Pulsante di sgancio
- L** Accessorio per macchie ostinate largo*
- M** Accessorio Pet Stain Trapping*

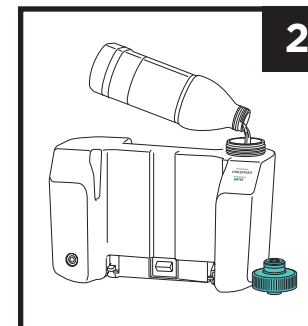


* Accessori venduti con il modello Pet PX200EUT (o venduti separatamente)

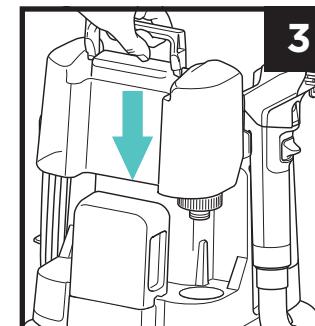
NOTA: non tutti gli accessori sono in dotazione a tutte le unità. Gli accessori possono variare a seconda del modello. Per gli accessori aggiuntivi disponibili, visitare l'indirizzo www.sharkclean.eu



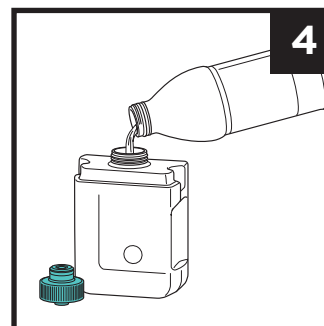
- 1.** Sganciare il serbatoio Deep Clean Pro dall'unità. Capovolgere il serbatoio, svitare il tappo e rimuoverlo.



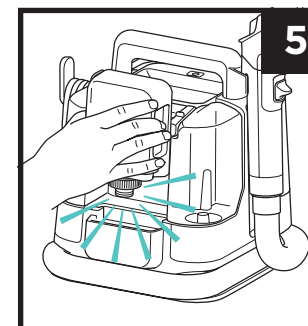
- 2.** Aggiungere acqua nel serbatoio Deep Clean Pro fino all'apposita linea di riempimento. Quindi aggiungere la soluzione Deep Clean Pro fino alla linea di riempimento Concentrate (Concentrato).



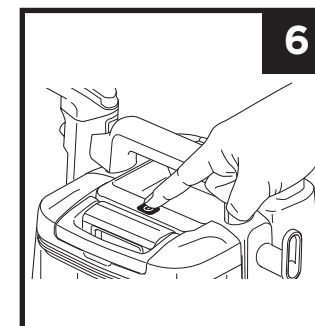
- 3.** Riposizionare il tappo e reinstallare il serbatoio fino a farlo scattare in posizione.



- 4.** Sganciare il serbatoio StainStriker dall'unità e capovolgerlo. Svitare il tappo e versare la soluzione StainStriker nel serbatoio.



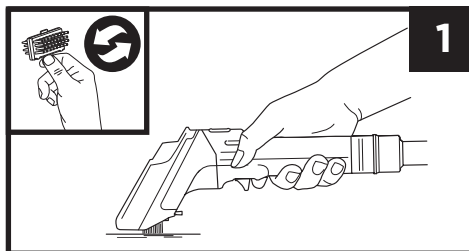
- 5.** Riposizionare il tappo e reinstallare il serbatoio fino a farlo scattare in posizione.



- 6.** Svolgere il cavo di alimentazione e collegarlo alla presa. Accendere l'unità per iniziare la pulizia.

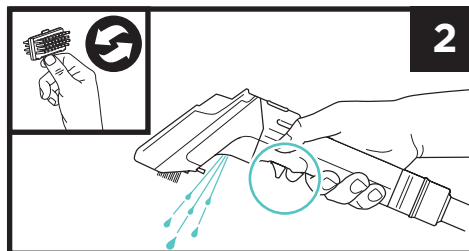
IMPORTANTE: aspirare la zona con un aspirapolvere tradizionale prima di utilizzare StainStriker. Utilizzare **SOLO** soluzioni di pulizia di marchio Shark come Deep Clean Pro/Oxy Multiplier.

PULIZIA DELLE MACCHIE BAGNATE



1. Per le macchie bagnate, seguire la Guida alle macchie presente sull'accessorio manuale. Accendere usando l'apposito pulsante e aspirare i liquidi. Spruzzare l'area macchiata. Strofinare con le spazzole, quindi inclinare l'accessorio manuale in avanti e trascinarlo sull'area della macchia per estrarre il liquido. Ripetere secondo necessità. Per evitare tempi di asciugatura troppo lunghi, non spruzzare eccessivamente.

PULIZIA DELLE MACCHIE ASCIUTTE



2. Per le macchie asciutte, seguire la Guida alle macchie presente sull'accessorio manuale. Accendere l'unità usando l'apposito pulsante. Strofinare l'area della macchia, quindi spruzzare e strofinare di nuovo; poi inclinare l'accessorio manuale in avanti e trascinarlo sull'area interessata per estrarre il liquido. Ripetere secondo necessità. Per evitare tempi di asciugatura troppo lunghi, non spruzzare eccessivamente.

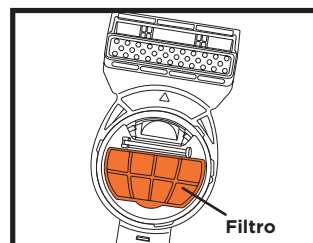
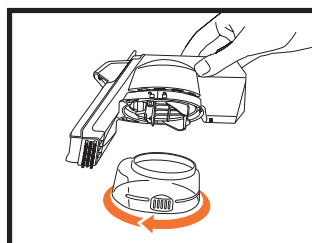
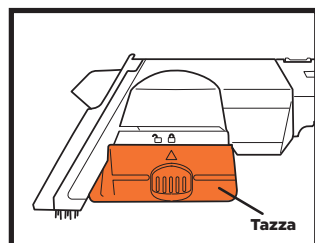
Nota: per le zone difficili da raggiungere, l'apparecchio può essere utilizzato con la bocchetta per fessure, senza bisogno dell'accessorio manuale.

Suggerimento: scelta delle spazzole: le spazzole in plastica sono più adatte a superfici delicate e tappezzeria. Le spazzole più robuste sono ideali per smuovere lo sporco ostinato su superfici dure.

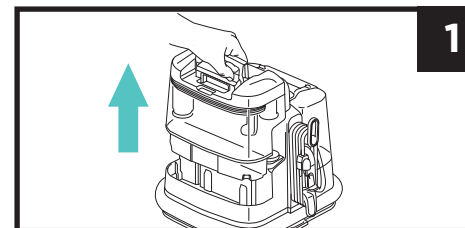
ACCESSORIO PET STAIN TRAPPING

L'accessorio Pet Stain Trapping di Shark è in dotazione ad alcuni modelli. Estrae le particelle di sporco nocive, evitando che raggiungano il flessibile e l'interno dell'unità. **NON** utilizzare l'accessorio per rimuovere peli di animali domestici. Per utilizzarlo, spruzzare l'area macchiata, quindi estrarre il liquido come descritto precedentemente. Per evitare un'eccessiva saturazione, non spruzzare eccessivamente. **NON** superare la linea **MAX FILL** (Riempimento massimo) del recipiente dell'accessorio Pet Stain Trapping.

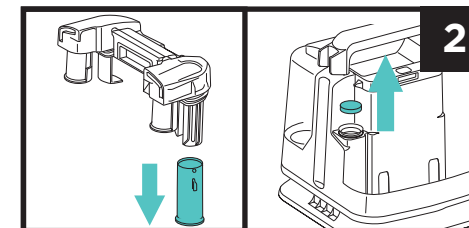
Attenzione a non inclinare l'accessorio per evitare che l'acqua sporca arrivi fino al flessibile. Dopo l'uso, spegnere l'unità principale e svuotare il recipiente dell'accessorio se necessario. Lavare accuratamente il recipiente, il filtro e il resto dell'accessorio con acqua saponata dopo ogni utilizzo.



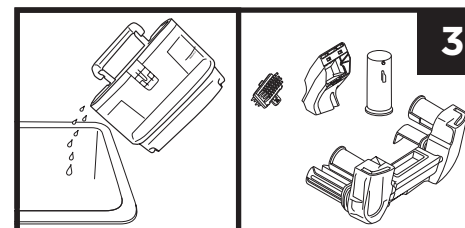
MANUTENZIONE



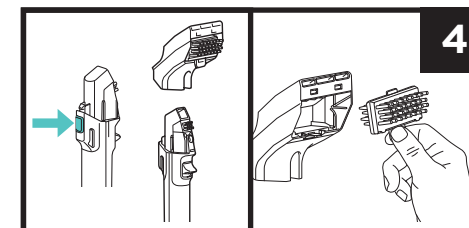
1. Sganciare il serbatoio dell'acqua sporca tenendolo in posizione verticale e appoggiato su una superficie piana. Spingere il manico finché non si sente un clic, quindi sollevare il coperchio.



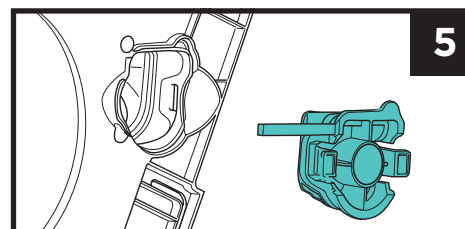
2. Pulire la valvola a galleggiante e assicurarsi che abbia un gioco sufficiente. Rimuovere il filtro in schiuma dall'unità durante la pulizia.



3. Svuotare il serbatoio dell'acqua sporca in modo corretto, picchiettando per rimuovere i detriti. Rimuovere eventuali detriti dagli accessori manuali, le spazzole, il coperchio e la valvola a galleggiante. Sciacquare accuratamente tutte le parti con acqua saponata e lasciare asciugare completamente prima di reinstallarle.



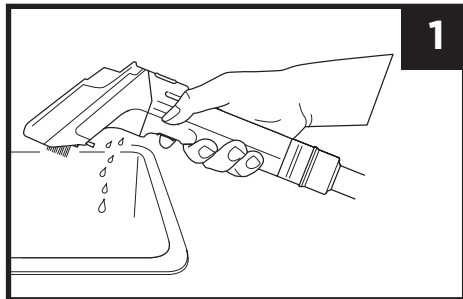
4. Sganciare l'accessorio manuale premendo l'apposito pulsante di rilascio. Rimuovere lo sportellino dall'accessorio manuale per pulire la zona adibita al passaggio dell'aria. Lavare accuratamente le spazzole dell'accessorio manuale.



5. Per togliere eventuali detriti intasati, rimuovere la clip di connessione in fondo all'unità. Rimuovere i detriti, quindi chiudere lo sportello.

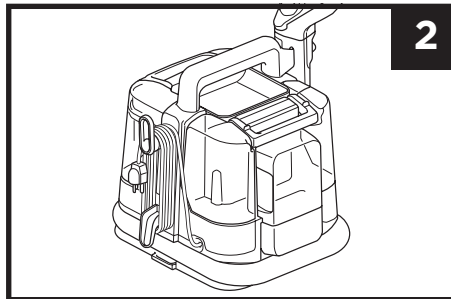
NOTA: pulire l'unità dopo ogni uso per evitare la formazione di cattivi odori, batteri e muffa.

CUSTODIA



1

1. Scollegare l'unità e posizionarla vicino a un lavello, WC o scarico per svuotare il liquido restante dell'accessorio installato. Pulire l'unità e tutte le parti (vedere le sezioni Manutenzione).



2

2. Quando le parti sono asciutte alla fine della pulizia, riagganciare tutti gli accessori. Avvolgere il cavo di alimentazione, quindi riporre l'accessorio per la pulizia del flessibile sull'unità. Avvolgere il flessibile attorno alla base dell'unità.

GUIDE DE NETTOYAGE ET DE SÉCHAGE

PULIZIA:

- All'inizio della procedura di pulizia, applicare la soluzione detergente solo per coprire la macchia. Evitare di saturare eccessivamente l'area o di spruzzare continuamente durante la pulizia.
- Per macchie più vecchie e ostinate, lasciare riposare la soluzione detergente per 5-20 minuti affinché faccia effetto sulla macchia.
- La pulizia delle macchie recenti, invece, può essere eseguita subito dopo la spruzzatura.
- Smuovere sempre vigorosamente l'area per disfare la macchia. Per ottenere risultati migliori, spazzolare in varie direzioni.
- Assicursi sempre di diluire la soluzione nelle giuste proporzioni durante la configurazione dell'unità per la pulizia.

ASCIUGATURA:

- Durante l'estrazione del liquido, passare sopra l'area da trattare applicando una pressione uniforme verso il basso.
- Per un'aspirazione ottimale, inclinare l'accessorio manuale per attivare gli sfiati di aspirazione in parallelo alla superficie da pulire.
- Continuare a passare sopra l'area da pulire finché nella finestra dell'accessorio manuale non è più presente alcun liquido estratto.

Per maggiori informazioni, scansionare il codice QR per visualizzare i **VIDEO TUTORIAL**.



CLEANING FORMULAS



1

Shark Deep Clean Pro
Soluzione professionale che rimuove sporco e detriti, per una pulizia profonda di tappeti e moquette.



2

Shark OXY Multiplier
Soluzione per eliminare le macchie più ostinate e i cattivi odori.



Per ordinare le ricariche di Shark Deep Clean Pro e Shark OxyMultiplier, scansionare il codice QR.

SPECIFICHE TECNICHE

Serie PX200: 220-240V~, 50-60Hz, 450W

ANNOTA QUESTI DATI

Numero del modello: _____

Data di acquisto: _____
(Conservare lo scontrino fiscale)

Negoziario in cui è stato acquistato il prodotto: _____

©2024 SharkNinja Operating LLC.
SharkNinja Europe Limited, 1st/2nd Floor Building 3150, Thorpe Park, Century Way, Leeds, England, LS15 8ZB

(+39) 800 961655 / www.sharkclean.eu / assistenzaclient.it@sharkninja.com

SharkNinja Germany GmbH, Rotfeder-Ring 9, 60327 Frankfurt am Main, Germany

SHARK e STAINSTRIKER sono marchi registrati nell'Unione Europea di SharkNinja Operating LLC.
Il prodotto illustrato può essere diverso dal prodotto effettivo.

Problema	Soluzione
Spruzzo non costante o assente	Assicurarsi che la soluzione detergente sia presente in entrambi i serbatoi. Assicurarsi che il serbatoio Deep Clean Pro sia installato correttamente. Assicurarsi che l'unità sia correttamente collegata alla presa e che sia accesa.
Nessuna aspirazione o scarsa aspirazione	Assicurarsi che il serbatoio dell'acqua sporca non sia troppo pieno e sia installato correttamente. Verificare il punto di accesso all'intasamento sotto l'unità e rimuovere eventuali detriti intrappolati all'interno, a livello dell'estremità del flessibile. Se è installato un accessorio di pulizia, assicurarsi che sia fissato correttamente. Rimuovere eventuali detriti dagli accessori di pulizia.
L'unità non si accende	Assicurarsi che la spina sia completamente inserita. Provare con un'altra presa. Assicurarsi che il pulsante On/Off sia stato acceso.
Liquido che fuoriesce dall'unità	Il serbatoio dell'acqua sporca potrebbe essere troppo pieno. Assicurarsi che il serbatoio dell'acqua sporca e il serbatoio Deep Clean Pro siano entrambi installati correttamente. Assicurarsi che la valvola a galleggiante nel serbatoio dell'acqua sporca non sia bloccata. Assicurarsi che l'unità si trovi su una superficie stabile e piana.
I serbatoi delle soluzioni perdono	Assicurarsi che i tappi dei serbatoi delle soluzioni siano completamente serrati. Accertarsi che entrambi i serbatoi siano installati correttamente e che i tappi siano scattati in posizione.

Quando un consumatore acquista un prodotto in Europa beneficia dei diritti legali relativi alla qualità del prodotto (i diritti di legge). Il cliente può far valere tali diritti nei confronti del proprio rivenditore. Nonostante ciò, la fiducia di Shark® nella qualità dei propri prodotti è tale da portarla a offrirti un'ulteriore garanzia del produttore della durata massima di tre anni (2 anni standard, più 1 anno dalla registrazione). I presenti termini e condizioni si riferiscono solo alla nostra garanzia del produttore; i diritti di legge del cliente rimangono inalterati.

Le condizioni che seguono descrivono i prerequisiti e il campo di applicazione della nostra garanzia. Non alterano in alcun modo i diritti di legge o gli obblighi di legge del rivenditore né il contratto del cliente con lo stesso.

Garanzie Shark®

La tua unità Shark è un vero investimento. Il nuovo smacchiatore deve funzionare correttamente il più a lungo possibile. La garanzia di cui è provvisto è un fattore importante e riflette il grado di fiducia che il produttore ha nella qualità del proprio prodotto e del processo di produzione. Ogni apparecchio Shark è provvisto di una garanzia gratuita relativa a ricambi e manodopera. È possibile inoltre ricevere assistenza online visitando il sito sharkclean.it

Come devo fare per registrare la mia garanzia Shark?

È possibile registrare la propria garanzia online entro 28 giorni dall'acquisto. Per procedere velocemente alla registrazione sono necessarie le seguenti informazioni relative allo smacchiatore:

- Data di acquisto dell'unità (scontrino fiscale o bolla di consegna).

IMPORTANTE:

- La garanzia copre il prodotto solo a partire dalla data di acquisto.
- Conservare sempre il relativo scontrino fiscale. Se si desidera far uso della propria garanzia, sarà necessario lo scontrino fiscale per verificare che le informazioni fornite siano corrette. Qualora non sia possibile fornire uno scontrino fiscale valido, la garanzia può essere invalidata.

Quali sono i vantaggi offerti dalla registrazione della garanzia gratuita Shark?

Registrando la garanzia, il cliente metterà a disposizione dell'azienda i propri dati per eventuali necessità di contatto e assistenza. L'utente potrà inoltre ricevere suggerimenti e consigli su come sfruttare tutte le potenzialità dell'unità Shark e

conoscere le ultime notizie sulle nuove tecnologie e i lanci di nuovi prodotti Shark®. Registrando la garanzia online, il cliente riceverà una conferma immediata della ricezione dei dati da parte di Shark®.

Per quanto tempo sono garantiti gli apparecchi Shark nuovi?

Grazie alla fiducia che riponiamo nella nostra progettazione e nel nostro controllo qualità, i ventilatori Shark sono garantiti per un totale di tre anni.

Che cosa copre la garanzia gratuita Shark?

La riparazione o la sostituzione dell'apparecchio Shark (a discrezione di Shark), inclusi tutti i ricambi e la manodopera. La garanzia Shark va ad aggiungersi ai diritti legali dell'utente come consumatore.

Che cosa non copre la garanzia Shark gratuita?

Registrando la garanzia, il cliente metterà a disposizione dell'azienda i propri dati per eventuali necessità di contatto e assistenza.

L'utente potrà inoltre ricevere suggerimenti e consigli su come sfruttare tutte le potenzialità dell'unità Shark e conoscere le ultime notizie sulle nuove tecnologie e i lanci di nuovi prodotti Shark®. Registrando la garanzia online, il cliente riceverà una conferma immediata della ricezione dei dati da parte di Shark®

1. Usura normale e rottura delle parti indossabili (come gli accessori). I componenti sostitutivi possono essere acquistati sul sito sharkclean.eu
2. Danni causati da uso non conforme, improprio, negligente nonché da una mancata manutenzione o danni causati da una manipolazione scorretta durante il trasporto.
3. Danni causati da manutenzione non autorizzata Shark

Dove è possibile acquistare ricambi e accessori originali Shark?

I ricambi e gli accessori Shark sono progettati dagli stessi ingegneri che hanno sviluppato questa unità Shark. Una gamma completa di ricambi, componenti sostitutivi e accessori Shark per tutte le apparecchiature Shark è presente all'indirizzo sharkclean.eu

Si ricorda che i danni causati dall'uso di parti di ricambio non originali Shark potrebbero non essere coperti dalla garanzia.

INHOUD

Belangrijke veiligheidsinstructies	63
Wat zit erbij	64
Aan de slag	65
Het hulpstuk gebruiken	66
Onderhoud	67
De vuilwatertank schoonmaken	67
De hulpstukken schoonmaken	67
Het systeem ontstoppen	67
Opslag	68
Schoonmaak- en drooginstructies	68
Shark-schoonmaakoplossingen	69
Technische specificaties	69
Probleemoplossing	70
Garantie	71

Deze markering geeft aan dat dit product niet bij het overige huisvuil mag worden weggegooid. Om schade aan het milieu of de gezondheid van de mens door ongecontroleerd weggooien van afval te voorkomen, moet u het afval op een verantwoordelijke manier recyclen om het duurzame hergebruik van materialen te bevorderen. Om uw gebruikte apparaat retour te sturen kunt u gebruikmaken van het retour- en inzamelsysteem of contact opnemen met de winkelier waar u dit product heeft gekocht. Zij kunnen dit product innemen, zodat het milieuvriendelijk zal worden gerecycled.



Scan de QR en bekijk
UITLEGVIDEO'S en meer.



BELANGRIJKE VEILIGHEIDSLINSTRUCTIES - UITSLUITEND VOOR HUISHOUELIJK GEBRUIK

LEES ZORGVULDIG VÓÓR GEBRUIK - BEWAAR DEZE HANDLEIDING.
ALLEEN VOOR HUISHOUELIJK GEBRUIK. LEES ALLE INSTRUCTIES
VOORDAT U DEZE TAPIJT- EN BEKLEDINGREINIGER GEBRUIKT

⚠ WAARSCHUWING OM HET RISICO OP BRAND, ELEKTRISCHE SCHOKKEN, LETSEL OF MATERIËLE SCHADE TE BEPERKEN:

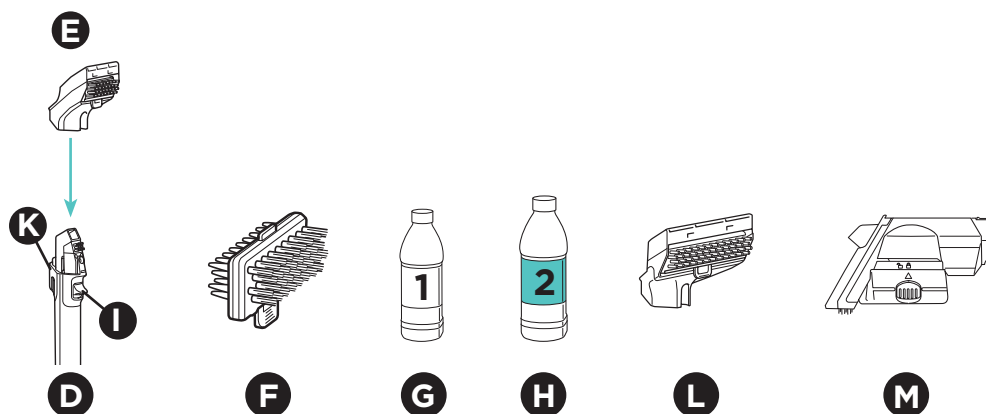
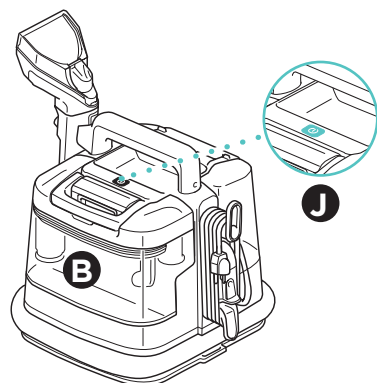
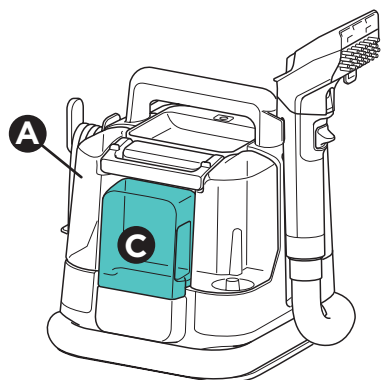
Dit apparaat is niet bedoeld voor gebruik door personen met beperkte fysieke, zintuiglijke of verstandelijke vermogens of een gebrek aan ervaring en kennis, tenzij deze personen onder toezicht staan of instructies hebben gekregen over het gebruik van het apparaat van een persoon die verantwoordelijk is voor hun veiligheid. Kinderen mogen dit apparaat niet gebruiken of ermee spelen. Er is nauwlettend toezicht nodig om het apparaat tijdens gebruik uit de buurt van kinderen te houden. Wij adviseren u de gebruiks- en onderhoudsaanwijzingen van de fabrikant van de vloer te raadplegen voordat u de StainStriker in gebruik neemt.

1. Verkeerd aansluiten van de aarding van het apparaat kan leiden tot elektrische schokken. Raadpleeg een gekwalificeerde elektricien of servicemedewerker als u niet zeker weet of uw stopcontact goed geaard is.
2. **NOOIT** wijzigingen aanbrengen in de stekker van het apparaat.
3. **NOOIT** met buitensporig veel kracht in het stopcontact steken of wijzigingen aanbrengen.
4. **NOOIT** aan het snoer trekken, de klep sluiten met het snoer ertussen of het snoer strak trekken over scherpe randen. De stekker vastpakken om hem uit het stopcontact te halen; niet het snoer. Houd het snoer uit de buurt van warme oppervlakken.
5. Gebruik als reinigingsmiddel alleen Shark Deep Clean Pro/ StainStriker dat voor dit apparaat bedoeld is en doe dit in de juiste reservoirs om schade aan interne onderdelen, en daardoor brand of elektrische schokken, te voorkomen. Raadpleeg de instructies in deze handleiding.
6. De omgeving rond het deel dat u reinigt, kan nat worden. Wees voorzichtig en val niet.
7. Wees voorzichtig bij het losmaken en opnieuw vastmaken van het handgereedschap van en op de Spot Cleaner om ongewenst activeren van de reinigungsoplossing te voorkomen.
8. **NOOIT** de oplossing op de huid of in de ogen spuiten.
9. **NOOIT** de reservoirs met de oplossing bijvullen wanneer deze op het apparaat geplaatst zijn. Altijd verwijderen vóór het bijvullen.
10. **NOOIT** gebruiken als de buitenkant van het apparaat nat is. Als het apparaat nat is, dan eerst afdrogen vóór gebruik.
11. Om het risico op schokken en onbedoelde bediening te verkleinen, zet u het apparaat uit en trekt u de stekker uit het stopcontact voordat u iets aanpast of reinigt, onderhoud uitvoert of problemen oplost.
12. Controleer vóór elk gebruik zorgvuldig alle onderdelen op eventuele schade of slijtage. Als een onderdeel beschadigd of versleten is, gebruik het dan niet langer. **NIET** gebruiken als een onderdeel beschadigd is of als de Spot Cleaner niet naar behoren werkt, gevallen is, buiten heeft gestaan of in het water terechtgekomen is.
13. **NIET** onderdompelen in water en geen water op de behuizing van de Spot Cleaner laten komen. Het oppervlak reinigen met een droge doek.
14. **NIET** laten gebruiken door kinderen. Het apparaat is geen speelgoed. Nauwlettend toezicht is noodzakelijk als het apparaat in de buurt van kinderen wordt gebruikt.
15. **NIET** met natte handen aan de stekker of Spot Cleaner komen.
16. **NIET** gebruiken zonder het reservoir voor vuil water, het reservoir met de schone reinigungsoplossing of het filter.
17. Gebruik alleen identieke vervangende onderdelen van Shark®. Gebruik alleen filters en accessoires van het merk Shark®.
18. Als u een verlengsnoer wilt gebruiken voor het apparaat, mag dat snoer niet langer zijn dan 15 meter (om schade aan de motor te voorkomen).
19. Zet de Spot Cleaner **NIET** op een oneffen ondergrond.
20. **NIET** gebruiken voor het opzuigen van:
 - a) Grote objecten
 - b) Harde of scherpe objecten (glas, spijkers, schroeven of muntstukken)
 - c) Grote hoeveelheden stof (van gipsplaten bijvoorbeeld)
 - d) Smeulende of brandende objecten (hete kolen, sigaretten of lucifers)
 - e) Brandbare of ontvlambare materialen (aanstekervloeistof, benzine of kerosine)
 - f) Giftige stoffen (chloor/bleekmiddel, ammoniak of afvoerreiniger)
21. **NIET** gebruiken in de volgende omgevingen:
 - a) Slecht verlichte ruimten
 - b) Buiten
 - c) Ruimten die afgesloten zijn en mogelijk explosieve of giftige dampen of gassen bevatten (aanstekervloeistof, benzine, kerosine, verf, ververdunners, middelen tegen motten of ontvlambaar stof)

NIET: de spuitknop indrukken, tenzij u richt op het deel dat u wilt reinigen. **WAARSCHUWING**: Het apparaat kan nog even doorspuiten nadat het is uitgeschakeld.

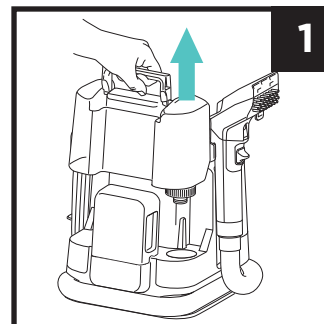
- A** Deep Clean Pro-reservoir
- B** Vuilwaterreservoir
- C** StainStriker-reservoir
- D** Spleetzuigmond
- E** Hulpstuk voor hardnekkige vlekken
- F** 2x omkeerbare borstels
- G** 177 ml reinigingsmiddel Deep Clean Pro

- H** 355 ml reinigingsmiddel OXY Multiplier
- I** Spuitknop
- J** Aan-/uit-knop
- K** Ontgrendelknop
- L** Breed hulpstuk voor hardnekkige vlekken*
- M** Hulpstuk voor vlekken van huisdieren*

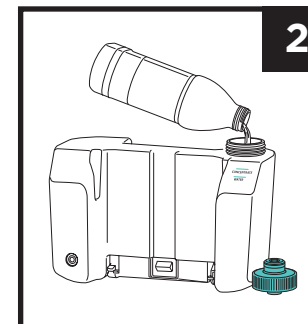


* Hulpstukken die bij het model voor huisdieren (PX200EUT) worden verkocht (of apart verkrijgbaar)

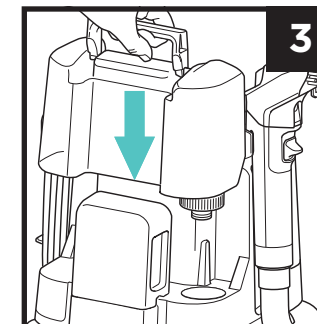
OPMERKING: Niet alle accessoires worden bij alle apparaten geleverd. De hulpstukken kunnen per model verschillen. Extra accessoires verkrijgbaar op www.sharkclean.eu



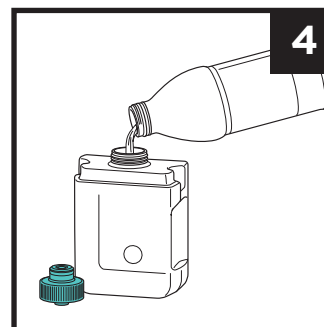
1. Haal het Deep Clean Pro-reservoir van het apparaat. Draai het reservoir om en draai de dop eraf.



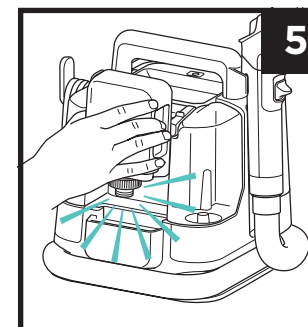
2. Doe water in het Deep Clean Pro-reservoir tot aan de vulstreep die is aangegeven met WATER. Vul vervolgens aan met Deep Clean Pro-reinigingsmiddel tot aan de vulstreep die is aangegeven met CONCENTRATE.



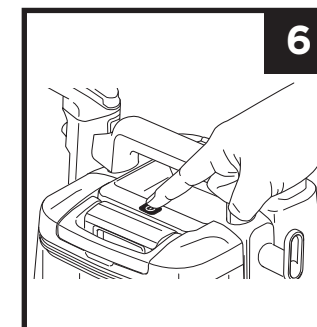
3. Doe de dop er weer op en breng het reservoir weer aan (moet vastklikken).



4. Haal het StainStriker-reservoir van het apparaat en draai het reservoir om. Draai de dop los en giet StainStriker-reinigingsmiddel in het reservoir.



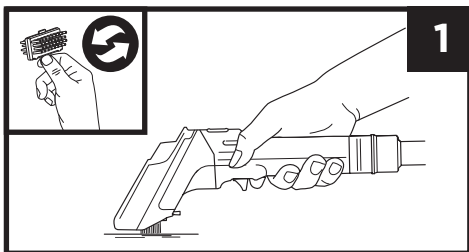
5. Doe de dop er weer op en breng het reservoir weer aan (moet vastklikken).



6. Maak het netsnoer los en steek de stekker in het stopcontact. Zet het apparaat AAN en begin met schoonmaken.

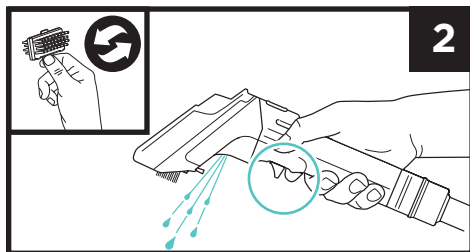
BELANGRIJK: Stofzuig eerst met een gewone stofzuiger voordat u de StainStriker gebruikt. Gebruik **ALLEEN** reinigingsmiddelen van het merk Shark (Deep Clean Pro/Oxy Multiplier).

NATTE VLEKKEN SCHOONMAKEN



1. Raadpleeg voor natte vlekken de vlekkeninstructies op het handgereedschap. Zet het apparaat aan met de aan-/uit-knop en zuig de natte viezigheid op. Spuit de vlek in. Schrob de vlek met de borstels, kantel het handgereedschap naar voren en trek het over de vlek om zoveel mogelijk vloeistof op te zuigen. Herhaal dit zo nodig. Niet te lang spuiten. Zo voorkomt u lange droogtijden.

DROGE VLEKKEN SCHOONMAKEN



2. Raadpleeg voor droge vlekken de vlekkeninstructies op het handgereedschap. Zet het apparaat aan met de aan-/uit-knop. Schrob de vlek, spuit de vlek in en borstel opnieuw, kantel het handgereedschap naar voren en trek het over de vlek om zoveel mogelijk vloeistof op te zuigen. Herhaal dit zo nodig. Niet te lang spuiten. Zo voorkomt u lange droogtijden.

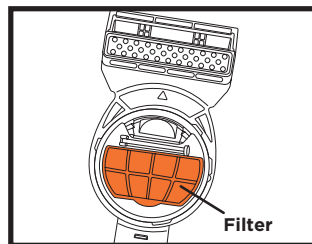
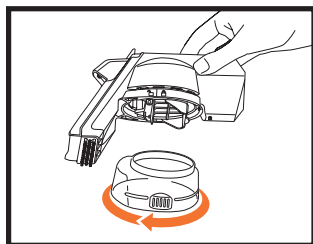
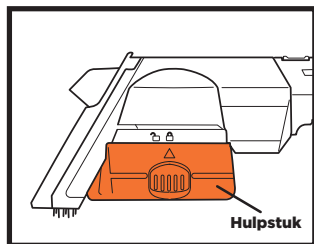
Opmerking: Voor moeilijk bereikbare plekken kan het apparaat worden gebruikt met alleen het spleetmondstuk, zonder handgereedschap.

Tip: Borstels kiezen. De rubberen borstels zijn met name geschikt voor delicate oppervlakken en bekleding. De harde borstels zijn ideaal voor hardnekkig vuil op een hard oppervlak.

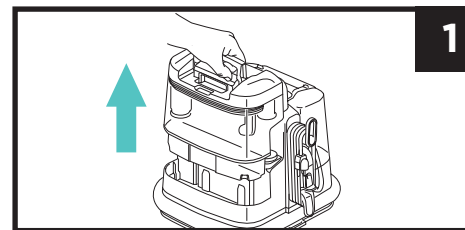
HULPSTUK VOOR VLEKKEN VAN HUIDSDIEREN

Een aantal modellen is standaard voorzien van een hulpstuk voor vlekken van huisdieren. Dit hulpstuk zuigt onhygiënisch vuil op en zorgt ervoor dat het vuil niet in de slang en in het apparaat komt. Dit hulpstuk **NIET** gebruiken voor het verwijderen van haar van huisdieren. Spuit de vieze plek in en zuig alles op zoals hierboven beschreven. Om verzadiging te voorkomen mag u niet te lang spuiten. Ga **NIET** boven de **MAX FILL**-streep op het reservoir van het hulpstuk voor huisdieren.

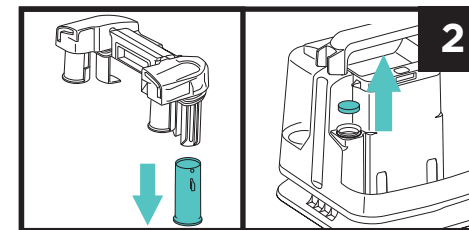
Houd het hulpstuk horizontaal zodat de viezigheid niet bij de slang kan komen. Zet het apparaat na gebruik uit en maak het reservoir van het hulpstuk leeg. Was het reservoir, het filter en de rest van het hulpstuk na elk gebruik grondig af met een sopje.



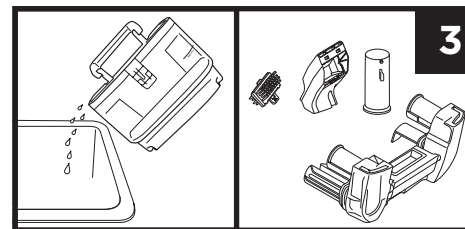
ONDERHOUD



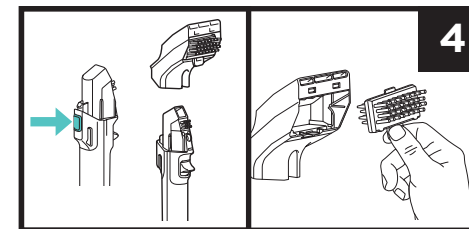
1. Maak het reservoir voor vuil water los. Houd het reservoir rechtop en zet het op een horizontale ondergrond. Duw de handgreep helemaal naar achteren tot u een klik hoort. Til het deksel er vervolgens af.



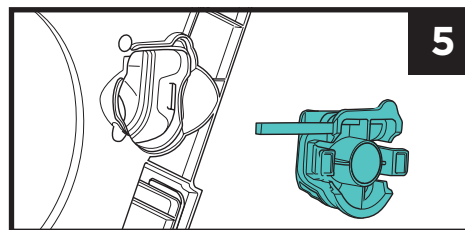
2. Maak de vlotter schoon en zorg ervoor dat de vlotter vrij kan bewegen. Verwijder het filterschuim uit het apparaat tijdens het schoonmaken.



3. Giet de vloeistof uit het vuilwaterreservoir, inclusief alle losse verontreiniging. Maak alle gebruikte hulpstukken, borstels, het deksel en de vlotter goed schoon. Spoel alle onderdelen goed af met een sopje en laat ze volledig drogen aan de lucht voordat u ze opnieuw aanbrengt.



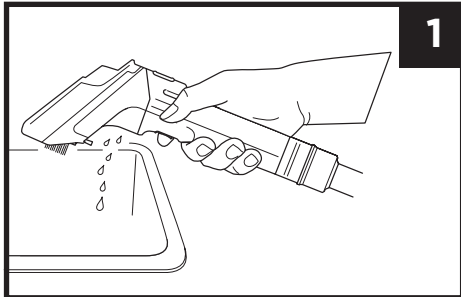
4. Maak het handgereedschap los door op de ontgrendelknop te drukken. Verwijder de kap van het handgereedschap om de binnenzijde schoon te maken. Was de borstels van het handgereedschap grondig.



5. Om vastzittend vuil te verwijderen, moet u de clip aan de onderkant van het apparaat losmaken. Verwijder al het vuil en doe de klep weer dicht.

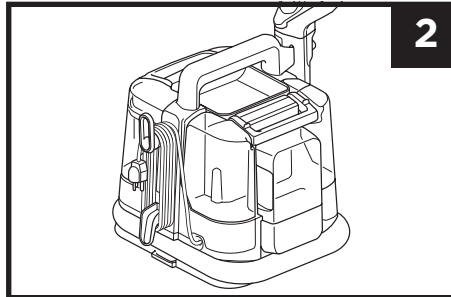
OPMERKING: Maak het apparaat na elk gebruik schoon om geurtjes, bacteriën en schimmel te voorkomen.

OPSLAG



1

1. Trek de stekker van het apparaat uit het stopcontact en zet het apparaat in de buurt van de gootsteen, wc of een andere afvoer en laat de resterende vloeistof uit het gemonteerde hulpstuk lopen. Maak het apparaat en alle onderdelen schoon (zie gedeeltes Onderhoud).



2

2. Breng alle hulpstukken weer aan wanneer na het schoonmaken alle onderdelen weer droog zijn. Draai het netsnoer rond het apparaat en berg het hulpstuk voor het schoonmaken van de slang op aan het apparaat. Draai het snoer rond de basis van het apparaat.

SCHOONMAAK- EN DROOGINSTRUCTIES

SCHOONMAKEN:

- Breng alleen reinigingsmiddel op de vlek aan bij het begin van het reinigingsproces. Maak de vlek niet te nat en blijf niet onafgebroken spuiten tijdens het schoonmaken.
- Bij oude of hardnekkige vlekken kunt u het reinigingsmiddel 5 tot 20 minuten laten inwerken.
- Nieuwe vlekken kunt u na het inspuiten meteen verder schoonmaken.
- Schrob de vlek goed zodat het vuil wordt gebroken. Doe dit in verschillende richtingen voor het beste resultaat.
- Verdun het reinigingsmiddel altijd op de juiste manier wanneer u het apparaat voorbereidt.

DROGEN:

- Zuig de vloeistof op door in een gelijkmatig patroon over de vlek te gaan. Druk altijd goed aan.
- Houd het handgereedschap schuin voor optimale zuigkracht via de openingen die op deze manier evenwijdig lopen aan het schoon te maken oppervlak.
- Ga net zo lang over de vlek tot u geen vloeistof meer ziet lopen door het venstertje van het handgereedschap.

Voor informatie scant u de QR en bekijkt u de **UITLEGVIDEO'S**.



REINIGINGSMIDDELEN



Shark Deep Clean Pro
Professioneel reinigingsmiddel voor het grondig verwijderen van vuil en vet.



Shark OXY Multiplier
Reinigingsmiddel voor hardnekkige vlekken en geurtjes.



Shark Deep Clean Pro of Shark OxyMultiplier bijbestellen?
Scan de QR-code.

TECHNISCHE SPECIFICATIES

PX200-serie: 220-240V-, 50-60Hz, 450W

NOTEER DEZE INFORMATIE

Modelnummer: _____

Datum van aankoop: _____
(Bewaar bewijs)

Winkel van aankoop: _____

©2024 SharkNinja Operating LLC.
SharkNinja Europe Limited, 1st/2nd Floor Building 3150, Thorpe Park, Century Way, Leeds, England, LS15 8ZB

www.sharkclean.eu

SharkNinja Germany GmbH, Rotfeder-Ring 9, 60327 Frankfurt am Main, Germany

SHARK en STAINSTRIKER zijn geregistreerde handelsmerken in de Europese Unie van SharkNinja Operating LLC. De afbeeldingen kunnen afwijken van het werkelijke product.

Probleem	Oplossing
Niet-constant spuiten of helemaal niet spuiten	Zorg voor voldoende reinigingsmiddel in beide reservoirs voor reinigingsoplossing. Zorg ervoor dat het Deep Clean Pro-reservoir correct geplaatst is. Zorg ervoor dat de stekker van het apparaat in het stopcontact zit en dat het apparaat ingeschakeld is.
Weinig of geen zuigkracht	Zorg ervoor dat het vuilwaterreservoir niet te vol is en dat het correct geplaatst is. Controleer op verstopping via de onderkant van het apparaat en verwijder verontreiniging uit de slang. Als u een schoonmaakhulpstuk hebt bevestigd, zorg er dan voor dat het goed vastzit. Verwijder alle verontreiniging uit de schoonmaakhulpstukken.
Apparaat gaat niet aan	Controleer of de stekker volledig in het stopcontact zit. Probeer een ander stopcontact. Druk goed op de aan-/uit-knop.
Het apparaat lekt vloeistof	Mogelijk is het vuilwaterreservoir te vol. Zorg ervoor dat het vuilwaterreservoir en het Deep Clean Pro-reservoir correct geplaatst zijn. Zorg ervoor dat de vlotter in het vuilwaterreservoir niet vastzit. Zorg ervoor dat het apparaat op een stabiele, effen ondergrond staat.
Reservoirs met reinigingsoplossing lekken	Zorg ervoor dat de doppen op de reservoirs met reinigingsoplossing goed vastzitten. Zorg ervoor dat beide reservoirs correct geplaatst zijn en dat de doppen vastgeklemd zijn.

Als een klant een product in Europa koopt, kan hij/zij aanspraak maken op juridische rechten t.a.v. de kwaliteit van het product (uw juridische rechten). U kunt uw winkelier aan deze rechten houden. Bij Shark® zijn we echter zo overtuigd van de kwaliteit van onze producten, dat wij u tot drie jaar extra fabrieksgarantie geven (2 jaar standaard plus 1 jaar als u zich registreert). Deze voorwaarden hebben alleen betrekking op onze fabrieksgarantie - uw wettelijke rechten blijven hierbij gelden.

De onderstaande voorwaarden beschrijven de vereisten en omvang van onze garantie. Zij hebben geen invloed op uw wettelijke rechten of de verplichtingen van de verkoper van het product en uw overeenkomst met hen.

Shark®-garanties

Uw Shark-apparaat vergt een flinke investering. Uw nieuwe Spot Cleaner moet zo lang mogelijk correct werken. De garantie bij het apparaat is een belangrijke indicator en laat zien hoeveel vertrouwen de fabrikant in zijn product heeft en in de kwaliteit hiervan. Ieder apparaat van Shark wordt geleverd met garantie op de onderdelen en werkzaamheden. U kunt ook online ondersteuning krijgen door de website sharkclean.eu te bezoeken.

Hoe registreer ik mijn Shark-garantie?

U kunt uw garantie binnen 28 dagen na aankoop online registreren. Om tijd te besparen, heeft u de volgende informatie over uw Spot Cleaner nodig:

- Datum van aankoop van het apparaat (aankoopbewijs).

BELANGRIJK:

- De garantie dekt uw product vanaf de datum van aankoop.
- Bewaar altijd uw aankoopbewijs. Wilt u gebruik maken van uw garantie, dan hebben wij uw aankoopbewijs nodig om te controleren of de door u verstrekte informatie aan ons correct is. Als u geen geldig aankoopbewijs kunt voorleggen, kan uw garantie vervallen.

Wat zijn de voordelen van het registreren van mijn gratis Shark garantie?

Als u uw garantie registreert, hebben wij uw gegevens bij de hand, in het geval wij contact met u op moeten nemen. U kunt ook tips en adviezen krijgen over hoe u alles uit uw Shark-apparaat kunt halen en u zult op de hoogte worden gehouden over nieuwe technologieën en productlanceringen. Als u uw garantie online registreert, krijgt u onmiddellijk een bevestiging dat wij uw gegevens hebben ontvangen.

Hoe lang krijg ik garantie op een nieuw apparaat van Shark?

Door het vertrouwen dat wij hebben in ons ontwerp en de kwaliteit van ons product, geven wij op de aankoop van een nieuw Shark-apparaat drie jaar garantie.

Wat wordt er door de gratis garantie van Shark gedekt?

Reparatie of vervanging van uw Shark-apparaat (naar beoordeling van Shark), inclusief alle onderdelen en arbeid. De garantie van Shark is een aanvulling op uw wettelijke rechten als klant.

Wat wordt er door de gratis garantie van Shark niet gedekt?

Als u uw garantie registreert, hebben wij uw gegevens bij de hand, in het geval wij contact met u op moeten nemen. U kunt ook tips en adviezen krijgen over hoe u alles uit uw Shark-apparaat kunt halen en u zult op de hoogte worden gehouden over nieuwe technologieën en productlanceringen. Als u uw garantie online registreert, krijgt u onmiddellijk een bevestiging dat wij uw gegevens hebben ontvangen.

1. Normale slijtage van aan slijtage onderhevige onderdelen (zoals accessoires). Vervangende onderdelen zijn te koop op sharkclean.eu
2. Schade veroorzaakt door foutief gebruik, misbruik, achteloos handelen, het niet uitvoeren van het vereiste onderhoud of schade door een onjuiste behandeling tijdens het transport.
3. Schade veroorzaakt door niet door Shark geautoriseerd onderhoud.

Waar kan ik originele onderdelen en accessoires van Shark kopen?

Onderdelen en accessoires van Shark zijn ontworpen door dezelfde ingenieurs die uw Shark-product hebben ontworpen. U vindt een uitgebreid assortiment Shark-onderdelen, -vervangingsonderdelen/-accessoires voor alle apparaten van Shark op sharkclean.eu

Houd er rekening mee dat schade veroorzaakt door het gebruik van niet-originele Shark-reserveonderdelen mogelijk niet door uw garantie wordt gedekt.

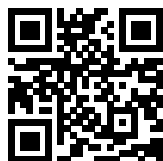
INNHALDSFORTEGNELSE

Viktige sikkerhetsinstruksjoner	73
Hva er inkludert	74
Komme i gang	75
Hvordan bruke håndverktøyet	76
Vedlikehold	77
Rengjøre tanken for skittent vann	77
Rengjøre håndverktøyene	77
Stake opp systemet	77
Oppbevaring	78
Rengjørings- og tørkeguide	78
Rengjøringsløsninger for Shark	79
Tekniske Spesifikasjoner	79
Feilsøking	80
Garanti	81

Denne merkingen indikerer at dette produktet ikke skal kastes sammen med annet husholdningsavfall. For å forhindre mulig skade på miljøet eller menneskers helse som følge av ukontrollert avfallshåndtering, må du resirkulere det på en ansvarlig måte for å fremme bærekraftig gjenbruk av materialkilder. Hvis du vil returnere den brukte enheten, kan du bruke retur- og innsamlingssystemene eller kontakte forhandleren der du kjøpte dette produktet. De kan ta imot produktet for miljøvennlig resirkulering.



Skann QR-koden for å se
INSTRUKSJONSVIDEOER
og mer.



VIKTIGE SIKKERHETSINSTRUKSJONER – KUN TIL HJEMMEBRUK

LES NØYE FØR BRUK – TA VARE PÅ DISSE INSTRUKSJONENE. KUN TIL HUSHOLDNINGSBRUK, LES ALLE INSTRUKSJONENE FØR DU BRUKER DENNE TEPPE- OG MØBELRENSEREN

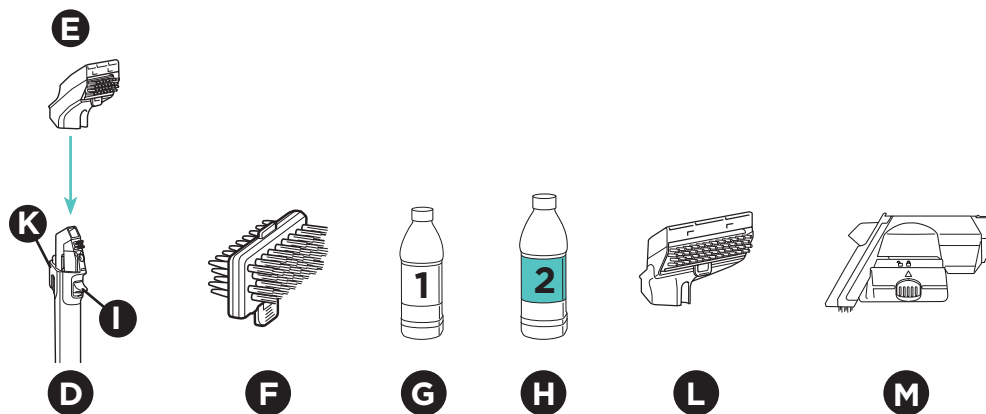
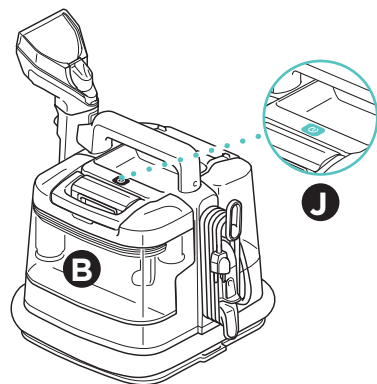
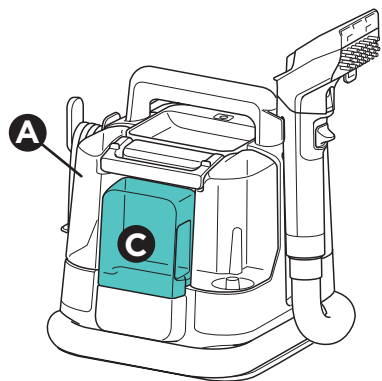
⚠ ADVARSEL FOR Å REDUSERE FARE FOR BRANN, ELEKTRISK STØT, PERSONSKADE ELLER SKADE PÅ EIENDOM:

Dette apparatet er ikke beregnet for bruk av personer med reduserte fysiske, sensoriske eller mentale evner eller mangel på erfaring og kunnskap, med mindre de har fått tilsyn eller veiledning om bruken av apparatet fra en person som er ansvarlig for sikkerheten deres. Barn skal ikke bruke eller leke med dette apparatet. Nøye tilsyn er nødvendig for å holde apparatet utenfor barns rekkevidde under bruk. Vi anbefaler at du sjekker gulvprodusentens bruks- og vedlikeholdsanvisninger for bruk av apparatet.

1. Feil tilkobling av utstyrets jordingsleder kan føre til fare for elektrisk støt. Sjekk med en kvalifisert elektriker eller serviceperson hvis du er i tvil om stikkkontakten er skikkelig jordet.
 2. **IKKE** modifier støpselet som følger med apparatet.
 3. **IKKE** tving den inn i kontakten eller prøv å endre den.
 4. **IKKE** trekk, lukk døren eller vikle ledningen rundt skarpe kanter eller hjørner. Grip i støpselet for å koble fra, ikke ledningen. Hold ledningen unna varme flater.
 5. For å redusere risikoen for brann eller elektrisk støt på grunn av skade på interne komponenter, må du KUN bruke Shark Deep Clean Pro/StainStriker-formelen i de riktige beholderne som er beregnet for bruk med dette apparatet. Se instruksjonene i denne veiledningen.
 6. Områdene rundt der du rengjør kan bli våte, vær forsiktig for å unngå å skli og falle.
 7. Vær forsiktig når du fjerner og fester håndverktøyet til Spot Cleaner for å unngå utilsiktet aktivering av rengjøringsløsningen.
 8. **IKKE** spray løsningen på huden eller i øynene.
 9. **IKKE** fyll vaskemiddeltanker mens de er installert på apparatet. Fjern før fylling.
 10. **IKKE** bruk hvis de ytre overflatene på apparatet er fuktige. Hvis apparatet er vått, tørk med en klut før bruk.
 11. For å redusere risikoen for støt og utilsiktet drift, slå av og koble fra Spot Cleaner før justering, rengjøring, vedlikehold eller feilsøking.
 12. Inspiser hver del nøye for skade eller slitasje før hver bruk. Hvis en del er skadet eller utslitt, må du umiddelbart slutte å bruke den. **IKKE** bruk hvis noen del er skadet eller hvis Spot Cleaner ikke fungerer som den skal, eller den er blitt mistet i gulvet, satt igjen utendørs eller mistet i vann.
 13. **IKKE** senk ned i eller spray vann på hoveddelen av Spot Cleaner. For å rengjøre overflaten, tørk av med en tørr klut.
 14. **IKKE** la den brukes av barn eller som leketøy. Vær ekstra oppmerksom når apparatet brukes i nærheten av barn.
 15. **IKKE** håndter støpsel eller Spot Cleaner med våte hender.
 16. **IKKE** bruk uten tank for skittent vann, clean solution-tank, eller filter på plass.
 17. Bruk kun identiske reservedeler fra Shark®. Bruk kun Shark®-merkede filtre og tilbehør.
 18. Hvis du kobler enheten til skjøteledningen, sørg for at ledningen ikke er mer enn 15 m for å unngå skade på motoren.
 19. **IKKE** plasser Spot Cleaner på ujevne overflater.
 20. **IKKE** bruk til å plukke opp:
 - a) Store objekter
 - b) Harde eller skarpe gjenstander (spikre, skruer eller mynter)
 - c) Store mengder støv (f.eks. fra gipsplater).
 - d) Rykende eller brennende objekter (varmt kull, sigarettstumper eller fyrstikker)
 - e) Brennbare eller eksplosjonsfarlige materialer (lightervæske, bensin eller parafin)
 - f) Giftige materialer (klor, ammoniakk eller avløpsrensere)
 21. **IKKE** bruk i følgende områder:
 - a) Områder som er dårlig opplyst
 - b) Utendørsområder
 - c) Områder som er innelukket og som kan inneholde eksplosive eller giftige gasser eller damp (lightervæske, bensin, parafin, maling, malingstynner, møllbeskyttelsesstoffer eller brennbar støv).
- IKKE:** Aktiver sprayutløseren med mindre du peker mot det berørte området. **ADVARSEL:** Kan fortsatt spraye når enheten er slått av.

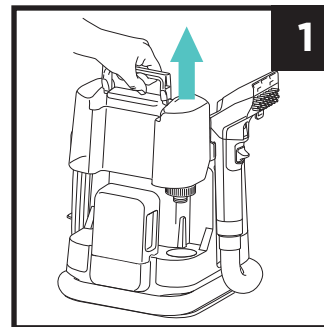
- A** Deep Clean Pro-tank
- B** Tank for skittent vann
- C** StainStriker-tank
- D** Fugeverktøy
- E** Verktøy for vanskelige flekker
- F** 2 x vendbare børster
- G** 177 mlProfesjonell dyprengjøringsformel

- H** 355 ml/OXY Multiplier-formel
- I** Sprayutløser
- J** Av/på-knapp
- K** Frakoblingsknapp
- L** Bredt verktøy for vanskelige flekker*
- M** Verktøy for å fange opp flekker fra kjøledyr*

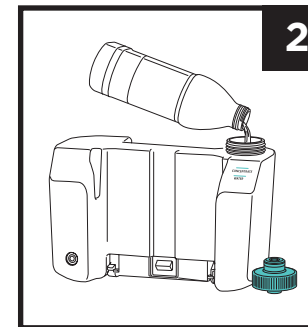


* Verktøy selges med Pet-modellen PX200EUT (eller selges separat)

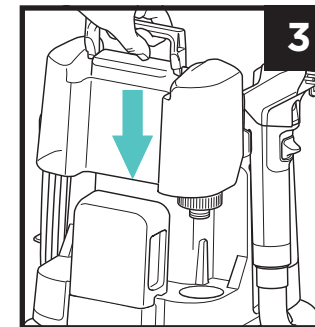
MERK: Ikke alt tilbehør leveres med alle enheter. Verktøy kan variere fra modell til modell. For ytterligere tilgjengelig tilbehør, besøk www.sharkclean.eu



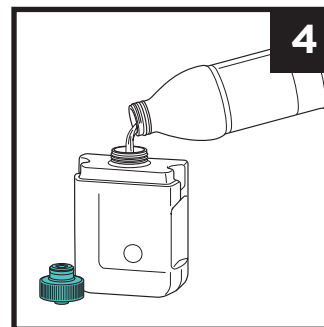
1. Koble Deep Clean Pro-tanken fra enheten. Snu tanken, skru av lokket og fjern.



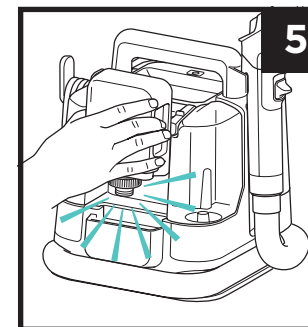
2. Tilsett vann i Deep Clean Pro-tanken opp til vannfyllingslinjen. Legg deretter til Deep Clean Pro-formelen til konsentratfyllingslinjen.



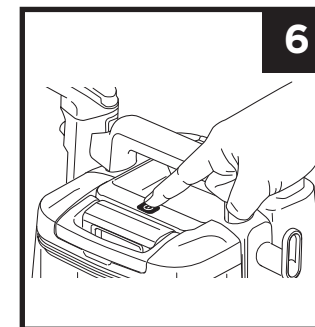
3. Sett på lokket, og sett deretter tanken tilbake til den klikker på plass



4. Koble StainStriker-tanken fra enheten og snu. Skru av lokket og hell StainStriker-formelen i tanken.



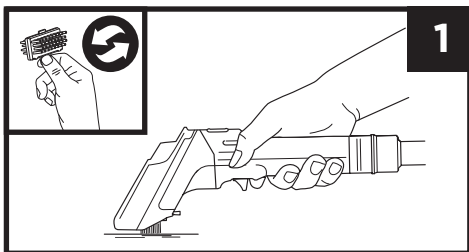
5. Sett på lokket, og sett deretter tanken tilbake til den klikker på plass.



6. Pakk ut strømkabelen og koble til en stikkontakt. Slå PÅ enheten for å begynne rengjøringen.

VIKTIG: Støvsug med tradisjonell støvsuger før du bruker Stain Striker. Bruk **KUN** Shark-merkede rengjøringsløsninger, Deep Clean Pro/Oxy Multiplier.

RENGJØRING AV VÅTE FLEKKER

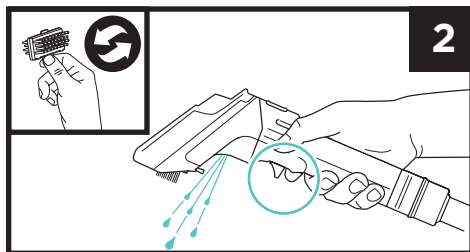


1. For våte flekker, følg flekkveiledningen på håndverktøyet. Slå PÅ med av/på-knappen og sug opp væskesølet. Spray på flekkområdet. Skrubb med børstene, vipp deretter håndverktøyet forover og dra over flekkområdet for å trekke ut væske. Gjenta om nødvendig. For å unngå lengre tørketider, ikke spray for mye.

Merk: For områder som er vanskelige å nå, kan verktøyet brukes uten et håndverktøy ved å bruke kun fugeverktøyoppsettet.

Tips: Valg av børste - gummibusten egner seg best til mer delikate overflater og møbeltrekk. De tøffe børstene er ideelle for hard agitasjon på slitesterke overflater.

RENGJØRING AV TØRRE FLEKKER

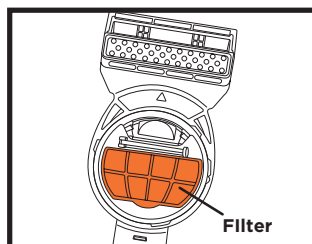
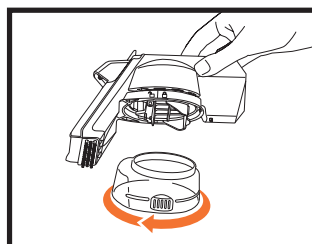
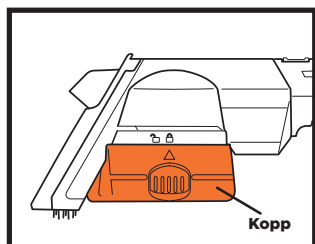


2. For tørre flekker, følg flekkveiledningen som du finner på håndverktøyet. Slå PÅ med av/på-knappen. Skrubb det flekkede området, spray og skrubb igjen, vipp deretter håndverktøyet forover og dra over flekkeområdet for å trekke ut væske. Gjenta om nødvendig. For å unngå lengre tørketider, ikke spray for mye.

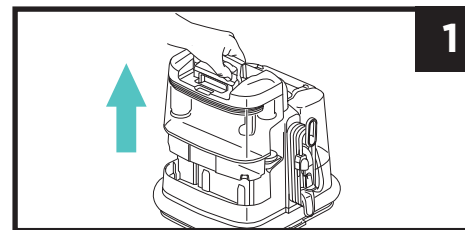
VERKTØY FOR Å FANGE OPP FLEKKER FRA KJÆLEDYR

Sharks verktøy for å fange opp flekker fra kjæledyr er inkludert med utvalgte modeller. Dette trekker ut uhygienisk søl, og forhindrer at søl når slangen og insiden av enheten. **IKKE** bruk verktøyet til å fjerne hår og pels fra kjæledyr. For å bruke, spray det våte sølet og trekk det ut som anbefalt ovenfor. For å unngå overmetning, ikke overspray. **IKKE** overskrid **MAX FILL**-linjen på kjæledyrverktøykoppen.

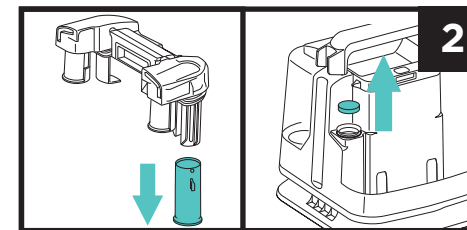
Hold verktøyet vannrett, uten å tippe det for å forhindre at sølet når slangen. Etter bruk, slå av strømmen til hovedenheten og tøm verktøykoppen der det er hensiktsmessig. Vask koppen, filteret og resten av verktøyet grundig med såpe og vann etter hver bruk.



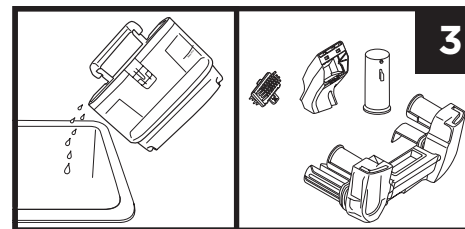
VEDLIKEHOLD



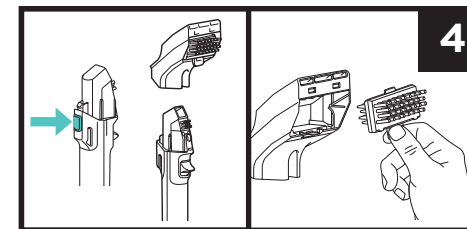
1. Koble fra tanken med det skitne vannet. Hold tanken rett opp og ned og sett ned på en jevn overflate. Skyv håndtaket helt tilbake til du hører ett klikk, og løft deretter av lokket.



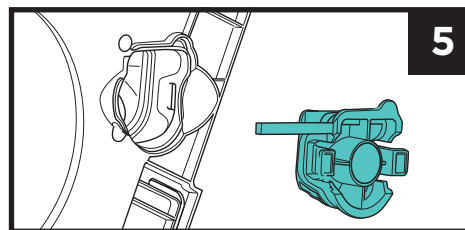
2. Rengjør flottørventilen og sørg for at den kan bevege seg fritt. Fjern skumfilteret fra enheten under rengjøring.



3. Hell bort den skitne væsken fra skittenvannstanken, og tapp av eventuelle løse rester. Fjern alt annet rusk på håndverktøy, bust, lokket og flottørventilen. Skyll alle delene grundig med såpe og vann og la dem lufttørke helt før du setter dem på plass igjen.



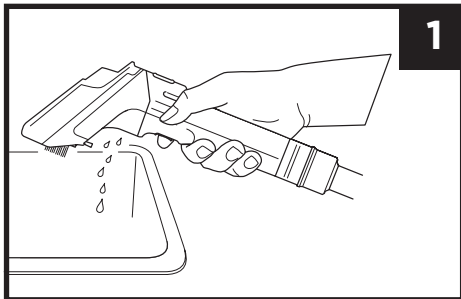
4. Ta av håndverktøyet ved å trykke på utløserknappen. Fjern dekselet fra håndverktøyet for å rense luftbanen. Vask busten på håndverktøyet grundig.



5. For å fjerne tilstoppet rusk, fjern koblingsklipsen på bunnen av enheten. Fjern alt rusk, og lukk deretter døren.

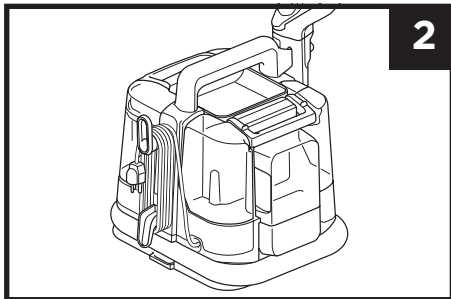
MERK: Rengjør enheten etter hver bruk for å unngå lukt, bakterier og mugg.

OPPBEVARING



1

1. Koble fra enheten og plasser den nær en vask, toalett eller avløp for å tømme gjenværende væske fra det tilkoblede verktøyet. Rengjør enheten og alle deler (se avsnittene om vedlikehold).



2

2. Når rengjøringen er fullført og alle delene har tørket, fester du alle verktøyene igjen. Pakk sammen strømledningen, og oppbevar deretter slangerengjøringsverktøyet på enheten. Pakk slangen rundt bunnen av enheten.

RENGJØRINGS- OG TØRKEGUIDE

RENGJØRING:

- Når du påfører rengjøringsløsningen, må du bare dekke til flekken i begynnelsen av rengjøringsprosessen. Unngå å overmette området, eller kontinuerlig spraying under rengjøring.
- For eldre og tøffere flekker, la det gå mellom 5-20 minutter slik at rengjøringsløsningen får sette seg i flekken og begynner å virke.
- For rengjøring av ferske flekker kan disse rengjøres umiddelbart etter spraying.
- Gå alltid grundig over området for å bryte opp flekken. Børst i flere retninger for best resultat.
- Sørg alltid for å bruke de riktige løsningsfortynningstiltakene når du setter opp enheten for rengjøring.

TØR KING:

- Når du trekker ut væsken, gå over rengjøringsområdet i et jevnt mønster mens du presser ned hele veien.
- Vinkle håndverktøyet for å koble inn sugeventilene parallelt med rengjøringsflaten for optimalt sug.
- Fortsett å passere over rengjøringsområdet til det ikke lenger kommer væske gjennom håndverktøyvinduet.

For informasjon, skann QR-koden for å se **INSTRUKSJONSVIDEOER.**



RENGJØRINGSFORMLER



Shark Deep Clean Pro
Profesjonell formel for dyprens av tepper for å fjerne smuss og skitt.



Shark OXY Multiplier
Formel for å eliminere gjenstridige flekker og lukter.



For å bestille påfyll av Shark Deep Clean Pro og Shark OxyMultiplier, skann QR-koden.

TEKNISKE SPESIFIKASJONER

PX200-serien: 220-240V~, 50-60Hz, 450W

TA VARE PÅ DENNE INFORMASJONEN

Modellnummer: _____

Kjøpsdato: _____
(Ta vare på kvitteringen)

Butikken du kjøpte den i: _____

©2024 SharkNinja Operating LLC.
SharkNinja Europe Limited, 1st/2nd Floor Building 3150, Thorpe Park, Century Way, Leeds, England, LS15 8ZB

www.sharkclean.eu

SharkNinja Germany GmbH, Rotfeder-Ring 9, 60327 Frankfurt am Main, Germany

SHARK og STAINSTRIKER er registrerte varemerker i EU for SharkNinja Operating LLC.
Illustrasjonene kan avvike fra det faktiske produktet.

Problem	Løsning
Inkonsekvent spray eller ingen spray	Sørg for at det er rengjøringsmiddel i begge vaskemiddel-tankene. Sørg for at Deep Clean Pro Tank er riktig installert. Kontroller at enheten er koblet til og strømmen er på.
Lavt sug eller ikke noe sug	Pass på at tanken med det skitne vannet ikke er overfylt og at den er riktig installert. Kontroller tilstopningspunktet under enheten og fjern eventuelt rusk som har satt seg fast i enden av slangen. Hvis et rengjøringsverktøy er festet, må du kontrollere at det er riktig tilkoblet. Fjern eventuelt rusk fra rengjøringsfestene.
Enheten slår seg ikke på	Kontroller at støpselet til apparatet er satt helt inn i kontakten. Prøv en annen stikkontakt. Kontroller at på/av-knappen ble trykket inn.
Væske lekker fra enheten	Tanken med det skitne vannet kan være overfylt. Sørg for at både tanken med det skitne vannet og Deep Clean Pro-tanken er riktig installert. Pass på at flottørventilen i tanken med det skitne vannet ikke sitter fast. Sørg for at enheten står på en stabil, flat overflate.
Løsningstanker lekker	Sørg for at lokkene på vaskemiddel-tankene er strammet helt til. Kontroller at begge tankene er riktig installert og at lokkene har klikket på plass.

Når forbrukere kjøper produkter i Europa, nyter de godt av lovbestemte rettigheter relatert til produktets kvalitet (dine lovfestede rettigheter). Du kan håndheve disse rettighetene hos forhandleren din. Hos Shark® har vi imidlertid så stor tro på kvaliteten på produktene våre at vi gir deg en ytterligere produsentgaranti på inntil tre år (to år som standard pluss ett år når du registrerer deg). Disse vilkårene og betingelsene gjelder kun for produsentgarantien vår. Dine lovfestede rettigheter påvirkes ikke.

Betingelsene nedenfor beskriver forutsetningene for og omfanget av garantien vår. De påvirker ikke dine lovfestede rettigheter eller forhandlerens forpliktelser og din kontrakt med dem.

Shark®-garantier

Din Shark-enhet utgjør en vesentlig investering. Din nye Spot Cleaner må fungere riktig så lenge som mulig. Garantien den kommer med er en viktig faktor – og viser hvor stor tillit produsenten har til produktet sitt og sin produksjonskvalitet. Hver Shark-maskin leveres med en garanti på kostnadsfrie deler og reparasjonsarbeid. Du finner også nettsøtte på www.sharkclean.eu

Du kan registrere garantien din på nettet innen 28 dager etter kjøpet. For å spare tid trenger du følgende informasjon om din Spot Cleaner:

- Kjøpsdato for enheten (kvittering eller følgesedel).

VIKTIG:

- Garantien dekker enheten din kun fra kjøpsdatoen.
- Ta vare på kvitteringen. Hvis du må benytte deg av garantien, må vi ha kvitteringen for å bekrefte at informasjonen du har oppgitt til oss er korrekt. Hvis du ikke kan fremlegge en gyldig kvittering, kan det føre til at garantien oppheves.

Hva er fordelene ved å registrere min gratis Shark-garanti?

Etter at du har registrert garantien din, har vi personopplysningene dine tilgjengelig hvis vi trenger å kontakte deg.

Du kan også motta tips og råd om hvordan du best utnytter din Shark-enhet og få oppdateringer om vår nye Shark®-teknologi og nye lanseringer. Hvis du registrerer garantien på nett, får du umiddelbart bekreftelse på at vi har mottatt personopplysningene dine.

Hvor lenge har nye Shark-maskiner garanti?

Tilliten vår til designen og kvalitetskontrollen vår betyr at din nye Shark-enhet er garantert i til sammen tre år.

Hva dekkes av den gratis Shark-garantien?

Reparasjon eller bytte av en Shark-maskin (etter Sharks eget skjønn), inkludert alle deler og arbeid. En Shark-garanti kommer i tillegg til dine lovfestede rettigheter som forbruker.

Hva dekkes ikke av gratis Shark-garanti?

Etter at du har registrert garantien din, har vi personopplysningene dine tilgjengelig hvis vi trenger å kontakte deg.

Du kan også motta tips og råd om hvordan du best utnytter din Shark-enhet og få oppdateringer om vår nye Shark®-teknologi og nye lanseringer. Hvis du registrerer garantien på nett, får du umiddelbart bekreftelse på at vi har mottatt personopplysningene dine.

1. Normal slitasje på bruksdeler (som for eksempel tilbehør). Erstatningsdeler er tilgjengelig for kjøp på sharkclean.eu
2. Skade som følge av forsømmelse, feil bruk, uforsiktig bruk, unnlatelse av å utføre påkrevd vedlikehold eller skader som følge av feil håndtering under transport.
3. Skade som følge av vedlikehold ikke autorisert av Shark.

Hvor kan jeg kjøpe originale Shark-reservedeler og -tilbehør?

De samme ingeniørene som utviklet Shark-enheten din har også utviklet vårt utvalg av Shark-reservedeler og -tilbehør. Du finner et komplett utvalg av reservedeler fra Shark og erstatningsdeler/tilbehør for alle Shark-maskiner på sharkclean.eu

Husk at skade forårsaket av bruk av reservedeler som ikke er fra Shark, kanskje ikke dekkes av garantien din.

Instruções de segurança importantes	83
O que está incluído	84
Introdução	85
Como utilizar a ferramenta manual	86
Manutenção	87
Limpeza do depósito de água suja	87
Limpeza das ferramentas manuais	87
Desobstruir o sistema	87
Armazenamento	88
Guia de limpeza e secagem	88
Soluções de limpeza Shark	89
Especificações técnicas	89
Resolução de problemas	90
Garantia	91



Este símbolo indica que este produto não deve ser eliminado juntamente com o restante lixo doméstico. Para evitar possíveis danos para o ambiente ou para a saúde humana devido à eliminação não controlada de resíduos, recicle-o de forma responsável para promover a reutilização sustentável dos materiais de origem.

Para devolver o seu aparelho usado, use os sistemas de devolução e recolha ou contacte o revendedor onde o produto foi adquirido. Estes podem encaminhar o produto para uma reciclagem ecologicamente segura.

Leia o código QR para ver os **VÍDEOS SOBRE COMO FAZER** e muito mais.



INSTRUÇÕES DE SEGURANÇA IMPORTANTES - APENAS PARA USO DOMÉSTICO

LEIA ATENTAMENTE ANTES DE UTILIZAR - GUARDE ESTAS INSTRUÇÕES. APENAS PARA USO DOMÉSTICO; LEIA TODAS AS INSTRUÇÕES ANTES DE USAR ESTE APARELHO PARA LIMPEZA DE TAPETES/ESTOFOS

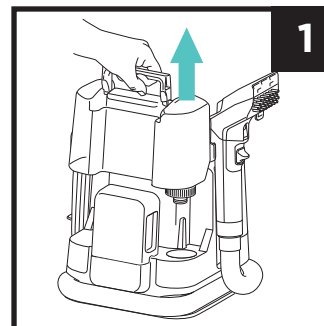
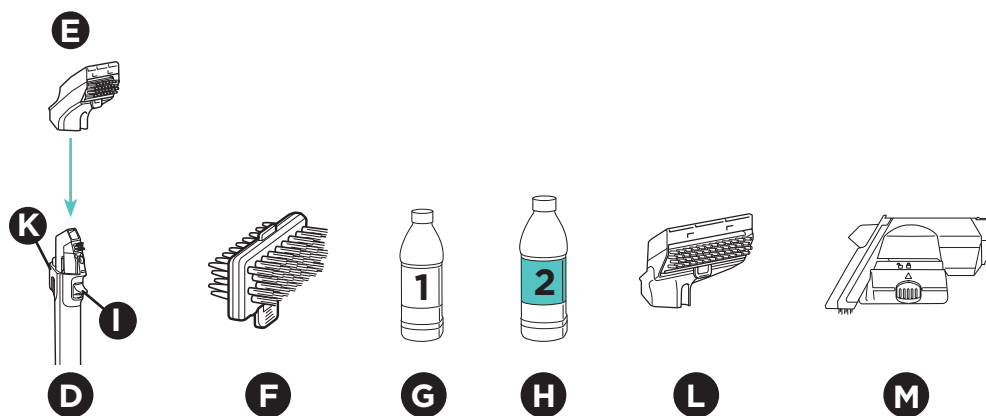
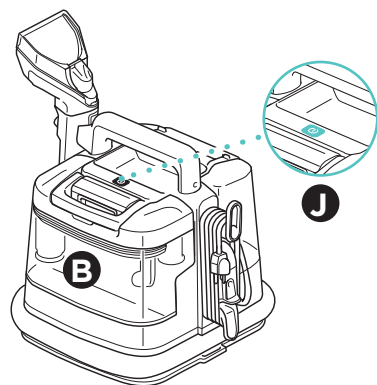
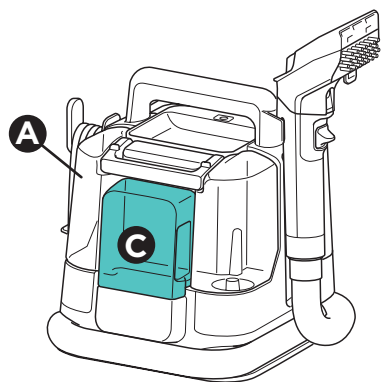
⚠ AVISO PARA REDUZIR O RISCO DE INCÊNDIO, CHOQUE ELÉTRICO, FERIMENTOS OU DANOS MATERIAIS:

Este aparelho **NÃO** deve ser usado por pessoas com capacidades físicas, sensoriais ou mentais reduzidas, ou com falta de experiência e conhecimentos, exceto se tiverem supervisão ou se tiverem recebido instruções sobre como usar o aparelho por alguém responsável pela sua segurança. As crianças não devem utilizar ou brincar com o aparelho. É necessária uma supervisão atenta para manter o aparelho fora do alcance das crianças durante a utilização. Recomendamos que consulte as instruções de utilização e cuidados do fabricante do pavimento antes de utilizar o aparelho.

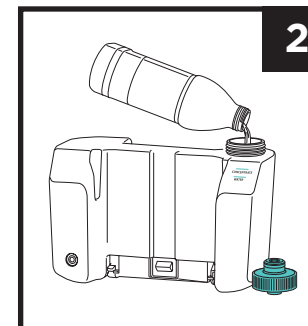
- A ligação inadequada do condutor de ligação à terra do equipamento pode resultar em risco de choque elétrico. Se tiver dúvidas quanto à ligação à terra da tomada, consulte um electricista ou um técnico de assistência qualificado.
 - NÃO** modifique a ficha fornecida com o aparelho.
 - NÃO** a force a entrar na tomada, nem tente modificá-la.
 - NÃO** puxe o cabo, não feche portas sobre ele nem o enrole em arestas ou cantos afiados. Para desligar, segure na ficha e não no cabo de alimentação. Mantenha o cabo afastado de superfícies quentes.
 - Para reduzir o risco de incêndio ou choque elétrico devido a danos nos componentes internos, utilize APENAS a fórmula Shark Deep Clean Pro/StainStriker nos depósitos corretos, conforme previsto para utilização com este aparelho. Veja as instruções neste guia.
 - As áreas à volta do local onde está a limpar podem ficar molhadas; tenha cuidado para evitar escorregar e cair.
 - Tenha cuidado ao retirar e voltar a colocar a ferramenta manual no Spot Cleaner, para evitar a ativação acidental da solução de limpeza.
 - NÃO** pulverize a solução na sua pele nem nos seus olhos.
 - NÃO** encha os depósitos de solução enquanto estiverem instalados no aparelho. Retire antes de encher.
 - NÃO** utilize se houver humidade nas superfícies exteriores do aparelho. Se o aparelho estiver molhado, seque-o com um pano antes de o utilizar.
 - Para reduzir o risco de choque e de funcionamento não intencional, desligue e retire a ficha da tomada do Spot Cleaner antes de efetuar qualquer ajuste, limpeza, manutenção ou resolução de problemas.
 - Antes de cada utilização, verifique cuidadosamente todas as peças quanto a possíveis danos ou desgaste. Se uma peça estiver danificada ou desgastada, interrompa imediatamente a sua utilização. **NÃO** utilize se alguma peça estiver danificada ou se o Spot Cleaner não estiver a funcionar como deveria, se tiver caído, se tiver sido deixado ao ar livre ou se tiver sido mergulhado em água.
 - NÃO** mergulhe nem pulverize com água o corpo do Spot Cleaner. Limpe a superfície com um pano seco.
 - NÃO** permita que seja usado por crianças como um brinquedo. É necessária uma supervisão atenta quando usado perto de crianças.
 - NÃO** manuseie a ficha nem o Spot Cleaner com as mãos molhadas.
 - NÃO** utilize sem o reservatório de água suja, o reservatório de solução limpa ou o filtro estarem nos seus lugares.
 - Utilize apenas peças de substituição Shark® idênticas. Use apenas filtros e acessórios da marca Shark®.
 - Se ligar o aparelho a uma extensão, certifique-se de que o cabo não tem mais de 15 m, para evitar danos no motor.
 - NÃO** coloque o Spot Cleaner em superfícies irregulares.
 - NÃO** use para aspirar:
 - Objectos de grandes dimensões
 - Objetos duros ou afiados (vidro, pregos, parafusos ou moedas)
 - Grandes quantidades de poeiras (por exemplo, poeiras de pladur).
 - Objetos fumegantes ou em chamas (brasas, pontas de cigarro ou fósforos)
 - Materiais inflamáveis ou combustíveis (líquido de isqueiro, gasolina ou querosene)
 - Materiais tóxicos (lixívia com cloro, amoníaco ou desentupidor de canos)
 - NÃO** utilize nas seguintes áreas:
 - Áreas mal iluminadas
 - Áreas ao ar livre
 - Espaços fechados que podem conter fumos ou vapores explosivos ou tóxicos (líquido de isqueiro, gasolina, querosene, tintas, diluentes, substâncias antitraças ou poeiras inflamáveis).
- NÃO:** Acione o gatilho do spray, a não ser que esteja a apontar para a área afetada. AVISO: Pode ainda pulverizar quando o aparelho é desligado.

- A** Depósito Deep Clean Pro
- B** Depósito de água suja
- C** Depósito do StainStriker
- D** Ferramenta para fendas
- E** Ferramenta para manchas difíceis
- F** Ferramenta de limpeza da mangueira
- G** 177 ml Fórmula Deep Clean Pro

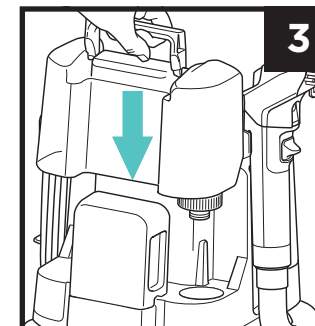
- H** 355 ml Fórmula do OXY Multiplier
- I** Gatilho do pulverizador
- J** Botão de alimentação
- K** Botão de separação
- L** Ferramenta larga para manchas resistentes*
- M** Ferramenta de remoção de manchas de animais de estimação*



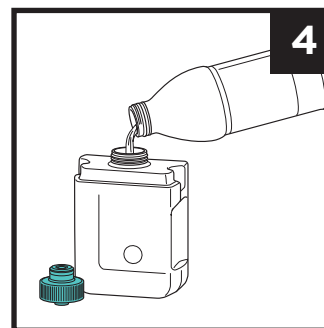
1. Separe o depósito Deep Clean Pro do aparelho. Vire o depósito, desaperte a tampa e retire-a.



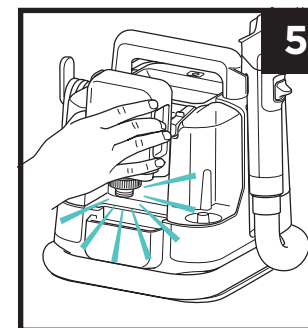
2. Adicione água ao depósito Deep Clean Pro até à linha de enchimento de água. Em seguida, adicione a fórmula Deep Clean Pro à linha de enchimento do Concentrado.



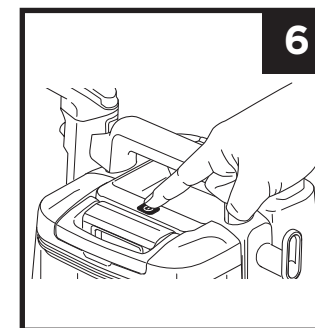
3. Volte a colocar a tampa e, em seguida, reinstale o depósito até este encaixar no lugar com um clique.



4. Desligue o depósito do StainStriker do aparelho e vire-o. Desaperte a tampa e deite a fórmula do StainStriker no depósito.



5. Volte a colocar a tampa e a inserir o depósito até encaixar na sua posição com um clique.



6. Desenrole o cabo de alimentação e ligue-o a uma tomada elétrica. Ligue o aparelho para iniciar a limpeza.

* Ferramentas vendidas com o modelo Pet PX200EUT (ou vendidas em separado)

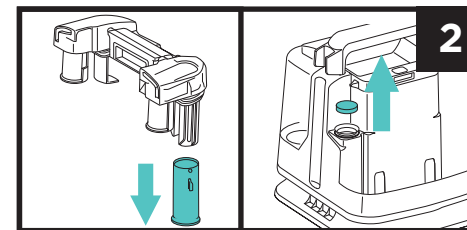
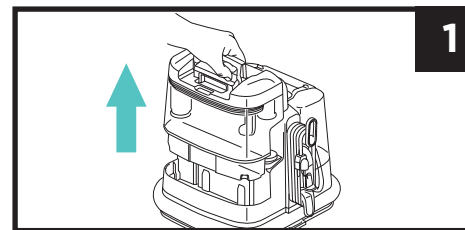
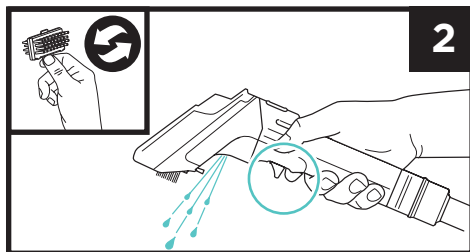
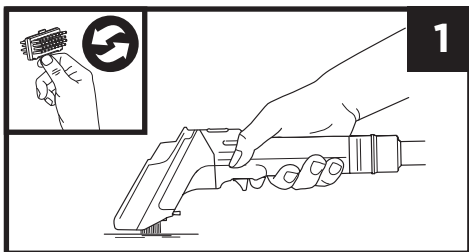
NOTA: Nem todos os acessórios são fornecidos com todas as unidades. As ferramentas podem variar consoante o modelo. Para ver mais acessórios disponíveis, visite sharkclean.eu

IMPORTANTE: Aspirar primeiro com um aspirador tradicional antes de utilizar o Stain Striker. Use **APENAS** soluções de limpeza da marca Shark, Deep Clean Pro/Oxy Multiplier.

LIMPEZA DE NÓDOAS HÚMIDAS

LIMPEZA DE NÓDOAS SECAS

MANUTENÇÃO

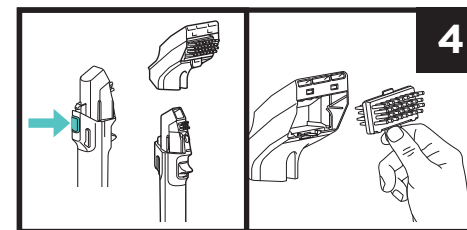
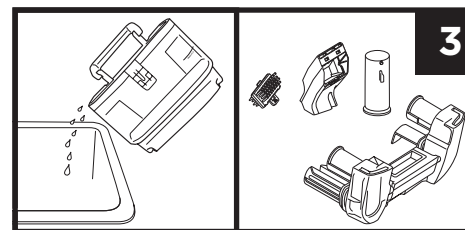


1. Para manchas húmidas, siga o Guia de Manchas localizado na ferramenta manual. Ligue o aparelho com o botão de alimentação e aspire a sujidade líquida. Pulverize a área da mancha. Esfregue com as cerdas e, em seguida, incline a ferramenta manual para a frente e arraste-a pela área da mancha para extrair o líquido. Repita se necessário. Para evitar tempos de secagem mais longos, não pulverize demasiado.

2. Para as manchas secas, siga o Guia de Manchas localizado na ferramenta manual. Ligue utilizando o botão de alimentação. Esfregue a área manchada, depois pulverize e esfregue novamente e, em seguida, incline a ferramenta manual para a frente e arraste-a pela área manchada para extrair o líquido. Repita se necessário. Para evitar tempos de secagem mais longos, não pulverize demasiado.

1. Retire o depósito de água suja, mantendo-o na vertical e pousando-o numa superfície plana. Empurre a pega para trás até ouvir um estalido e, em seguida, levante a tampa.

2. Limpe a válvula flutuante e certifique-se de que esta se pode mover livremente. Retire o filtro de espuma do aparelho durante a limpeza.



Nota: Para áreas de difícil acesso, a ferramenta pode ser utilizada sem um acessório de ferramenta manual, utilizando apenas a ferramenta para fendas.

Sugestão: Escolha das cerdas - As cerdas de borracha são mais adequadas para superfícies mais delicadas e estofos. As cerdas resistentes são ideais para agitação persistente em superfícies duras.

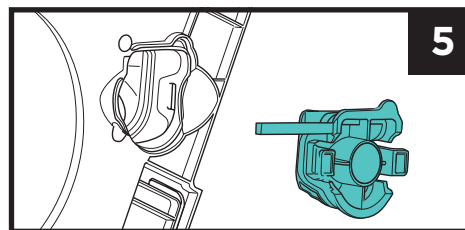
3. Deite fora o líquido do reservatório de água suja e retire os detritos soltos com pequenas pancadas. Limpe quaisquer outros detritos nas ferramentas manuais, nas cerdas, na tampa e na válvula flutuante. Enxague bem todas as peças com água e sabão e deixe-as secar completamente ao ar antes de as voltar a instalar.

4. Solte a ferramenta manual premindo o botão de separação. Retire a tampa da ferramenta manual para limpar o percurso do ar. Lave bem as cerdas da ferramenta manual.

FERRAMENTA DE REMOÇÃO DE MANCHAS DE ANIMAIS DE ESTIMAÇÃO

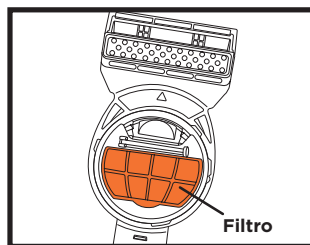
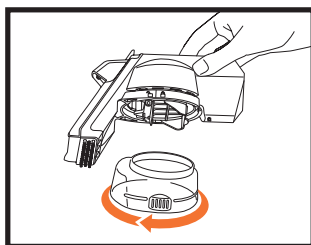
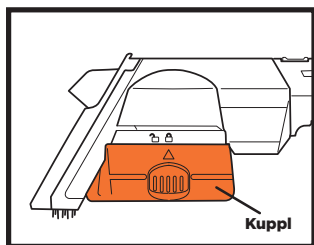
A ferramenta Shark de remoção de manchas de animais de estimação está incluída em modelos selecionados. Isto extrai as sujidades não higiénicas, impedindo que atinjam a mangueira e o interior do aparelho. **NÃO** utilize a ferramenta para remover pelos de animais de estimação. Para utilizar, pulverize a sujidade molhada e extraia-a como indicado acima. Para evitar a saturação excessiva, não pulverize demasiado. **NÃO** exceda a linha **MAX FILL** (Enchimento máximo) no depósito acessório para sujidades de animais de estimação.

Mantenha o depósito nivelado, sem inclinar, para evitar que a sujidade chegue à mangueira. Após a utilização, desligue a alimentação da unidade principal e esvazie o depósito acessório, se necessário. Lave bem o depósito, o filtro e o resto do utensílio com água e sabão após cada utilização.

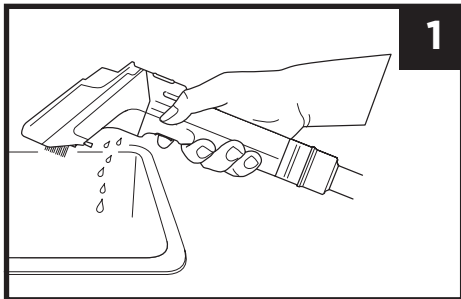


5. Para eliminar quaisquer detritos entupidos, retire o clipe de ligação na parte inferior do aparelho. Limpe todos os detritos e feche a porta.

NOTA: Limpe o aparelho após cada utilização para evitar odores, bactérias e bolor.

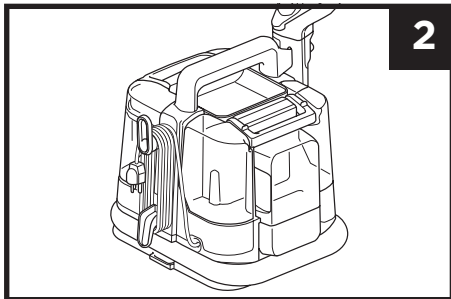


ARMAZENAMENTO



1

1. Desligue o aparelho e coloque-o perto de um lava-loiça, sanita ou ralo para esvaziar o líquido restante do acessório. Limpe o aparelho e todas as peças (Veja as secções de Manutenção).



2

2. Quando a limpeza estiver concluída e todas as peças estiverem secas, volte a colocar todas as ferramentas. Enrole o cabo de alimentação e, em seguida, guarde a ferramenta de limpeza da mangueira no aparelho. Enrole a mangueira à volta da base do aparelho.

GUIA DE LIMPEZA E SECAGEM

LIMPEZA:

- Quando aplicar a solução de limpeza, cubra a mancha apenas no início do processo de limpeza. Evitar saturar demasiado a área ou pulverizar continuamente durante a limpeza.
- Para as manchas mais antigas e mais difíceis, aguarde entre 5 a 20 minutos para que a solução de limpeza assente na mancha e comece a atuar.
- Para a limpeza de manchas recentes, estas podem ser limpas imediatamente após a pulverização.
- Agite sempre bem a área, para desfazer a mancha. Escove em várias direções para obter melhores resultados.
- Certifique-se sempre de que utiliza as medidas corretas de diluição da solução ao preparar o aparelho para limpeza.

SECAGEM:

- Ao extrair o líquido, passe sobre a área de limpeza num padrão uniforme, aplicando pressão para baixo durante todo o processo.
- Incline a ferramenta manual para encaixar as aberturas de sucção paralelamente à superfície de limpeza para uma sucção ideal.
- Continue a passar sobre a área de limpeza até que o líquido deixe de sair pela janela da ferramenta manual.

Para obter informações, leia o código QR para ver os **VÍDEOS DE COMO FAZER.**



FÓRMULAS DE LIMPEZA



1

Shark Deep Clean Pro
Fórmula profissional de limpeza profunda de tapetes para remover sujidade e manchas.



2

Shark OXY Multiplier
Fórmula resistente para eliminar as nódoas e os odores mais difíceis.



Para encomendar recargas de Shark Deep Clean Pro e Shark OxyMultiplier, leia o código QR.

ESPECIFICAÇÕES TÉCNICAS

Série PX200: 220-240V-, 50-60Hz, 450W

REGISTE ESTA INFORMAÇÃO

Número do modelo: _____

Data da compra: _____
(Guarde o recibo)

Loja onde efetuou a compra: _____

©2024 SharkNinja Operating LLC.
SharkNinja Europe Limited, 1st/2nd Floor Building 3150, Thorpe Park, Century Way, Leeds, England, LS15 8ZB

www.sharkclean.eu

SharkNinja Germany GmbH, Rotfeder-Ring 9, 60327 Frankfurt am Main, Germany

SHARK e STAINSTRIKER são marcas registadas na União Europeia da SharkNinja Operating LLC.
As ilustrações podem diferir do produto real.

Problema	Solução
Pulverização inconsistente ou ausência de pulverização	Certifique-se de que existe solução de limpeza em ambos os depósitos de solução. Certifique-se de que o reservatório Deep Clean Pro está corretamente instalado. Certifique-se de que o aparelho está ligado à corrente e que a alimentação está ligada.
Baixa sucção ou ausência de sucção	Certifique-se de que o depósito de água suja não está demasiado cheio e está corretamente instalado. Verifique o ponto de acesso ao entupimento por baixo do aparelho e limpe quaisquer detritos presos no interior da extremidade da mangueira. Se estiver instalada uma ferramenta de limpeza, certifique-se de que está corretamente fixada. Remova os detritos dos acessórios de limpeza.
O aparelho não se liga	Certifique-se de que o aparelho está ligado à alimentação. Experimente uma tomada diferente. Certifique-se de que o botão de ligar/desligar foi premido.
Fuga de líquido do aparelho	O depósito de água suja pode estar demasiado cheio. Certifique-se de que o reservatório de água suja e o reservatório Deep Clean Pro estão ambos corretamente instalados. Certifique-se de que a válvula flutuante no depósito de água suja não está presa. Certifique-se de que o aparelho está numa superfície estável e plana.
Fugas nos reservatórios da solução	Certifique-se de que as tampas dos depósitos de solução estão bem apertadas. Certifique-se de que ambos os reservatórios estão corretamente instalados e que as tampas estão encaixadas no lugar.

Quando um consumidor compra um produto na Europa, obtém o benefício dos direitos legais relacionados com a qualidade do produto (os seus direitos legais). Pode exigir o cumprimento destes direitos pelo seu revendedor. No entanto, na Shark® estamos tão confiantes na qualidade dos nossos produtos que lhe damos uma garantia adicional do fabricante de até três anos (2 anos padrão mais 1 no momento do registo). Estes termos e condições referem-se apenas à garantia do fabricante; os seus direitos legais não são afetados.

As condições abaixo descrevem os pré-requisitos e a abrangência da nossa garantia. Não afetam os seus direitos legais, nem as obrigações do seu revendedor, nem o seu contrato com o mesmo.

Garantias da Shark®

O seu aparelho Shark é um investimento relativamente importante. O seu novo Spot Cleaner tem de funcionar corretamente durante o máximo de tempo possível. A garantia que o acompanha é um aspeto importante a considerar e reflete a confiança que o fabricante tem no seu produto e na qualidade de fabrico. Cada aparelho Shark inclui uma garantia gratuita para peças e mão de obra. Também pode encontrar apoio online em sharkclean.eu

Como posso registar a minha garantia Shark?

Pode registar a garantia online até 28 dias após a compra. Para poupar tempo, necessita das seguintes informações sobre o seu Spot Cleaner:

- Data da compra do aparelho (recibo ou nota de entrega).

IMPORTANTE:

- A garantia só cobrirá o seu produto a partir da data de compra.
- Guarde sempre o seu recibo. Caso tenha de utilizar a sua garantia, vamos precisar do recibo para verificar se as informações que nos disponibilizou estão corretas. A não apresentação de um recibo válido pode invalidar a sua garantia.

Quais são os benefícios de registar a minha garantia Shark gratuita?

Quando registar a sua garantia, teremos os seus dados disponíveis se necessitarmos de entrar em contacto consigo.

Também pode receber dicas e conselhos sobre como aproveitar ao máximo o seu aparelho Shark e conhecer as últimas novidades sobre lançamentos e novas tecnologias da Shark®. Se registar a sua garantia online, receberá uma confirmação instantânea de que recebemos os seus dados.

Qual é a duração da garantia dos aparelhos Shark novos?

A confiança que temos na nossa conceção e controlo de qualidade implica que a sua nova unidade Shark tenha uma garantia total de três anos.

O que está abrangido pela garantia Shark gratuita?

Reparação ou substituição do seu aparelho Shark (a critério da Shark), incluindo todas as peças e mão de obra. Uma garantia Shark é um complemento aos seus direitos legais enquanto consumidor.

O que não está abrangido pela garantia Shark gratuita?

Quando registar a sua garantia, teremos os seus dados disponíveis se necessitarmos de entrar em contacto consigo.

Também pode receber dicas e conselhos sobre como aproveitar ao máximo o seu aparelho Shark e conhecer as últimas novidades sobre lançamentos e novas tecnologias da Shark®. Se registar a sua garantia online, receberá uma confirmação instantânea de que recebemos os seus dados.

1. O desgaste normal das peças suscetíveis de desgaste (tais como acessórios). As peças de substituição estão disponíveis para compra em sharkclean.eu
2. Danos causados por má utilização, abuso, manuseamento negligente, não realização da manutenção necessária ou danos devidos a mau manuseamento em trânsito.
3. Danos causados por manutenção não autorizada pela Shark.

Onde posso comprar peças sobresselentes e acessórios genuínos Shark?

As peças sobresselentes e acessórios Shark são concebidos pelos mesmos engenheiros que conceberam o seu aparelho Shark. Encontrará uma ampla gama de peças sobresselentes, peças de reposição e acessórios para todas as máquinas Shark em sharkclean.eu

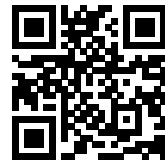
Lembre-se de que os danos causados pela utilização de peças sobresselentes que não sejam da marca Shark podem não estar cobertos pela sua garantia.

Tärkeitä turvallisuusohjeita	93
Pakkauksen sisältö	94
Käytön aloittaminen	95
Käsityökalun käyttö	96
Huolto	97
Likavesisäiliön puhdistus	97
Käsityökalujen puhdistus	97
Järjestelmän tukosten avaaminen	97
Säilytys	98
Puhdistus- ja kuivausopas	98
Shark-puhdistusliukset	99
Tekniset tiedot	99
Vianmääritys	100
Takuu	101

Tämä merkintä osoittaa, että tätä tuotetta ei saa hävittää muiden kotitalousjätteiden mukana. Jotta vältät valvomattomasta jätteiden hävittämisestä mahdollisesti aiheutuvat haitat ympäristölle tai ihmisten terveydelle, kierrätä se vastuullisesti materiaalilähteiden edistämiseksi. Voit palauttaa käytetyn laitteen seuraavasti käyttä palautus- ja keräysjärjestelmiä tai ota yhteyttä jälleenmyyjään, jolta tämä tuote on ostettu. He voivat ottaa tämän tuotteen ympäristön kannalta turvalliseen kierrätykseen.



Voit katsoa muun muassa **OHJEVIDEOITA** skannaamalla QR-koodin.



TÄRKEITÄ TURVALLISUUSOHJEITA - VAIN KOTITALOUSKÄYTTÖÖN

LUE HUOLELLISESTI ENNEN KÄYTTÖÄ - SÄILYTÄ NÄMÄ OHJEET. VAIN KOTITALOUSKÄYTTÖÖN; LUE KAIKKI OHJEET ENNEN TEKSTIILIPUHDISTIMEN KÄYTTÖÄ

VAROITUS ULIPALON, SÄHKÖISKUN TAI HENKILÖ- JA OMAISUUSVAHINKOJEN VAARAN VÄLTÄMISEKSI:

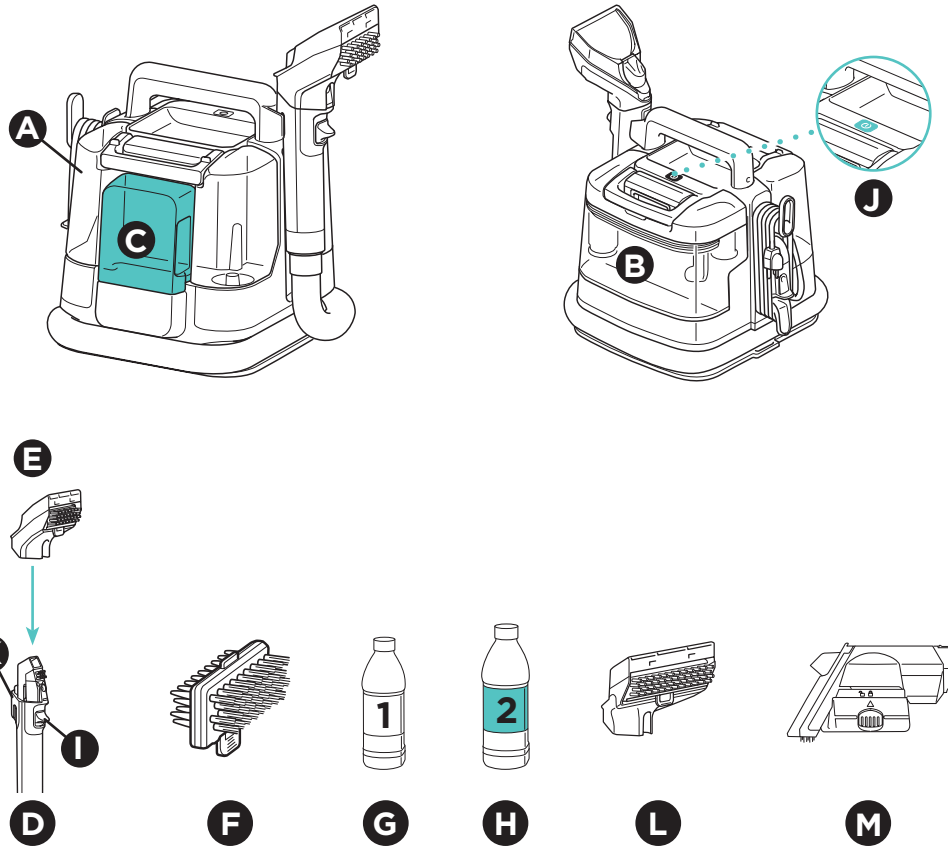
Henkilöt, joiden fyysinen, sensorinen tai henkinen toimintakyky on rajoittunut tai joilla ei ole tarvittavaa kokemusta tai tietoa laitteen käytöstä, voivat käyttää laitetta ainoastaan, mikäli heidän turvallisuudestaan vastaava henkilö valvoo heitä ja ohjeistaa laitteen turvallisessa käytössä. Lasten ei tule käyttää tätä laitetta tai leikkiä sillä. Huolehdi siitä, että lapset eivät ole laitteen lähellä sen käytön aikana. Suosittelemme, että luet lattian valmistajan antamat käyttö- ja huolto-ohjeet ennen laitteen käyttöä.

- Laitteen virheellinen liittäminen maadoitusjohtimeen voi aiheuttaa sähköiskun vaaran. Jos et ole varma, varmista asiantuntevalta sähköasentajalta tai vastaavalta, onko pistorasia maadoitettu oikein.
- ÄLÄ** muokkaa laitteen pistoketta.
- ÄLÄ** yritä pakottaa pistoketta pistorasiaan tai muokata sitä.
- ÄLÄ** vedä johtoa, jätä sitä oven väliin äläkä kierrä sitä terävien kulmien ympäri. Pistoke tulee irrottaa pistorasiasta tarttumalla pistokkeeseen, ei virtajohtoon. Virtajohto ei saa joutua kosketuksiin kuumien pintojen kanssa.
- Sisäisen komponenttivaarion aiheuttaman tulipalon tai sähköiskun riskin minimoimiseksi käytä AINOASTAAN Shark Deep Clean Pro/StainStriker -liuosta niille kuuluvissa säiliöissä tämän laitteen käyttötarkoituksen mukaisesti. Katso ohjeet tästä oppaasta.
- Ole varovainen alueilla, joista tulee puhdistuksen yhteydessä märkiä, ettet liukastu tai kaadu.
- Ole varovainen irrottaessasi ja kiinnittäessäsi käsityökalua tahrannoistajasta/tahrannoistajaan, jotta puhdistusaineen suihkutusta ei vahingossa käynnisty.
- ÄLÄ** suihkuta ainetta ihollesi tai silmiin.
- ÄLÄ** täytä puhdistusaineliitäni niiden ollessa asennettuna laitteeseen. Irrota säiliöt ennen täyttämistä.
- ÄLÄ** käytä laitetta, jos laitteen ulkopinnat ovat märkiä. Jos laite on märkä, kuivaa se liinalla ennen käyttöä.
- Sähköiskuvaaran ja tahattoman käynnistymisen välttämiseksi tahrannoistaja täytyy sammuttaa irrotta virtalähteestä ennen säätämistä, puhdistamista, huoltoa tai vianmääritystä.
- Tarkista aina ennen käyttöä kaikki osat huolellisesti vahingoittumisen tai kulumisen varalta. Jos osa on vahingoittunut tai kulunut, lopeta sen käyttö välittömästi. **ÄLÄ** käytä tahrannoistajaa, jos jokin osa on vahingoittunut tai jos tahrannoistaja ei toimi oikein tai se on pudonnut, jätetty ulos tai pudonnut veteen.
- ÄLÄ** suihkuta vettä tahrannoistajan rungolle tai upota sitä veteen. Pyyhi pinta kuivalla liinalla.
- ISAA** käyttää lasten leikkikaluna. Tarkka valvonta on välttämätöntä, kun laitetta käytetään lasten läheisyydessä.
- ÄLÄ** käsittele pistoketta tai tahrannoistajaa märin käsin.
- ÄLÄ** käytä ilman, että likavesisäiliö, puhdistusaineliitäni ja suodatin ovat paikoillaan.
- Käytä ainoastaan Shark®-osien kanssa identtisiä varaosia. Käytä vain Shark®-merkkisiä suodattimia ja lisävarusteita.
- Jos kytket laitteen jatkojohtoon, jatkojohto ei saa olla yli 15 metrin pituinen, jotta laitteen moottori ei vahingoitu.
- ÄLÄ** aseta tahrannoistajaa epätasaiselle pinnalle.
- ÄLÄ** käytä seuraavien keräämiseen:
 - Isokokoiset esineet
 - Kovat tai terävät esineet (naulat, ruuvit tai kolikot)
 - Suuret pölymäärät (kipsilevyn pöly)
 - Savuavat tai palavat esineet (kuumat hiilet, tupakkansat tai tulitikut)
 - Palavat tai syttyvät aineet (syttyyneste, bensiini tai kerosiini)
 - Myrkylliset aineet (kloorivalkaisuaine, ammoniakki tai viemärinpuhdistusaine)
- ÄLÄ** käytä seuraavilla alueilla:
 - Huonosti valaistut alueet
 - Ulkotilat
 - Suljetut tilat, joissa saattaa olla räjähdysriskiä tai myrkyllisiä kaasuja tai höyryjä (syttyynestettä, bensiiniä, kerosiiniä, maalia, ohennetta, koinsuoja-ainetta tai helposti syttyvää pölyä).

ÄLÄ käytä suihkutuspainiketta ellei laitetta ole suunnattu kohdealueelle. VAROITUS: Laite voi suihkuttaa, vaikka virta olisikin kytketty pois päältä.

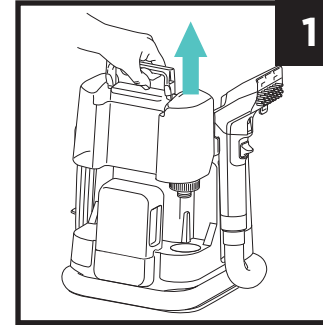
- A Deep Clean Pro-säiliö
- B Likavesisäiliö
- C StainStriker-säiliö
- D Rakosuulake
- E Työkalu pinttyneisiin tahroihin
- F 2 käännettävää harjaa
- G 177 ml Deep Clean Pro -liuos

- H 355 ml OXY Multiplier -liuos
- I Suihkutuspainike
- J Virtapainike
- K Vapautuspainike
- L Leveä työkalu pinttyneisiin tahroihin*
- M Työkalu lemmikkien tahrojen poistoon*

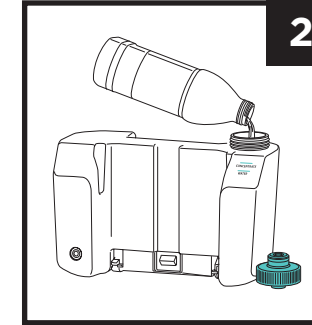


* Lemmikkimallin PX200EUT kanssa myydyt työkalut (tai erikseen myytävät)

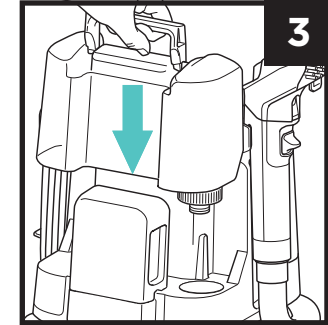
HUOMAUTUS: Kaikki varusteet eivät sisälly kaikkiin laitteisiin. Työkalut saattavat vaihdella malleittain. Lisävarusteita on saatavilla osoitteessa www.sharkclean.eu



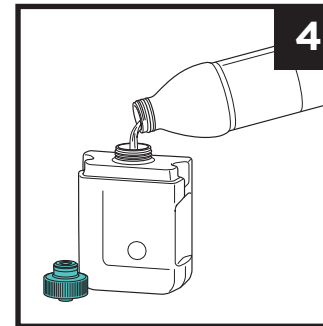
1. Irrota Deep Clean Pro-säiliö laitteesta. Käännä säiliö ympäri, kierrä korkki auki ja irrota.



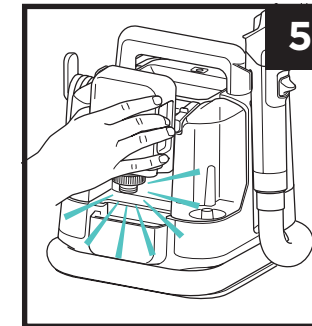
2. Lisää Deep Clean Pro-säiliöön vettä vedentäyttöviivaan (Water) asti. Lisää sitten Deep Clean Pro-liuosta liuoksentäyttöviivaan



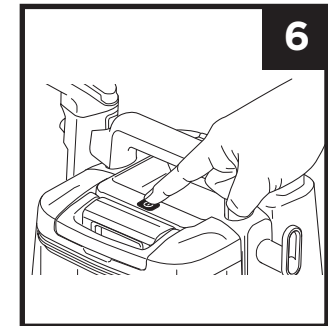
(Concentrate) asti
3. Kierrä korkki kiinni ja asenna sitten säiliö takaisin paikalleen, kunnes



kuulet napsahduksen.
4. Irrota StainStriker-säiliö laitteesta ja käännä se ympäri. Kierrä korkki



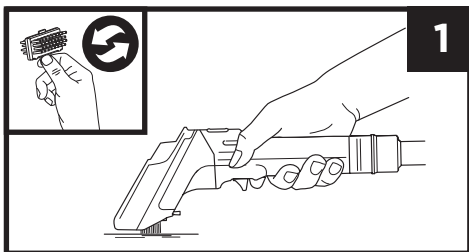
auki ja kaada säiliöön StainStriker-liuosta.
5. Kierrä korkki kiinni ja asenna sitten säiliö takaisin



paikalleen, kunnes kuulet napsahduksen.
6. Avaa virtajohto kerältä ja kytke se pistorasiaan. Kytke laitteeseen virta **PÄÄLLE** ja aloita puhdistaminen.

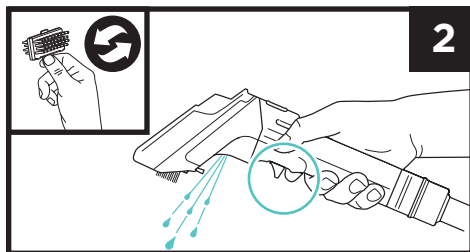
TÄRKEÄÄ: Imuroi tavallisella imurilla ennen tahrannoistajan käyttöä. Käytä **AINOASTAAN** Shark-merkkisiä puhdistusaineita, Deep Clean Pro/Oxy Multiplieriä.

MÄRÄN TAHRAN POISTO



1. Jos tahrä on märkä, noudata käsityökalussa olevan tahranpoistoppaan ohjeita. Kytke laite päälle virtapainikkeesta ja imuroi nestemäinen tahrä. Suihkuta tahrä-alue. Hankaa harjoilla ja kallista sitten käsityökalua eteenpäin ja vedä tahrä-aluetta pitkin nesteen poistamiseksi. Toista tarvittaessa. Pidempien kuivumisaikojen välttämiseksi älä suihkuta liuosta liikaa.

KUIVAN TAHRAN POISTO



2. Jos tahrä on kuiva, noudata käsityökalussa olevan tahranpoistoppaan ohjeita. Kytke laite päälle virtapainikkeesta. Hankaa tahrä-alue, suihkuta ja hankaa uudelleen. Kallista sitten käsityökalua eteenpäin ja vedä tahrä-aluetta pitkin nesteen poistamiseksi. Toista tarvittaessa. Pidempien kuivumisaikojen välttämiseksi älä suihkuta liuosta liikaa.

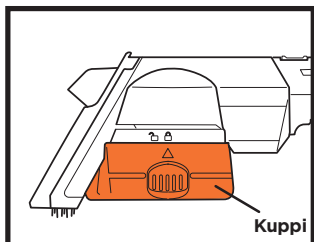
Huomautus: Jos puhdistettavalle alueelle on vaikea päästä, työkalua voidaan käyttää myös ilman käsityökaluosaa siten, että laitteeseen on kiinnitetty vain rakosuulake.

Vinkki: Harjojen valitseminen - kumiharjat sopivat parhaiten herkille pinnoille ja verhoilujen puhdistamiseen. Kovat harjat sopivat parhaiten pinttyneeseen likaan tai kulutusta kestäville pinnoille.

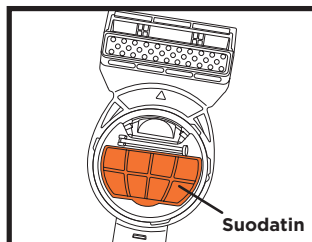
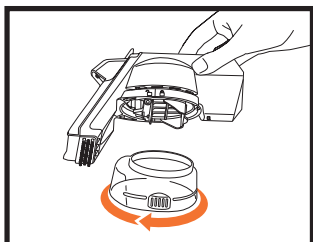
TYÖKALU LEMMIKKIEN TAHRON POISTOON

Sharkin työkalu lemmikkien tahrojen poistoon sisältyy vain tiettyihin malleihin. Työkalu poistaa epähygieeniset sotkut ja estää lian pääsemisen letkuun ja laitteen sisäosiin. **ÄLÄ** käytä työkalua lemmikkien karvojen poistamiseen. Käytä työkalua suihkuttamalla ensin sotkun päälle ja poistamalla se sitten edellä ohjeistetulla tavalla. Älä kyllästä tahrää liikaa suihkuttamalla liian paljon liuosta. **ÄLÄ** ylitä lemmikkityökalun kupin **MAX FILL** -viivaa.

Pidä työkalu vaakatasossa kallistamatta sitä, jotta sotku ei joudu letkuun. Laitteen käytön jälkeen kytke virta pois päältä laitteesta ja tyhjennä työkalun kuppi, jos se on tarpeen. Pese kuppi, suodatin ja koko työkalu huolellisesti saippualla ja vedellä jokaisen käyttökerran jälkeen.

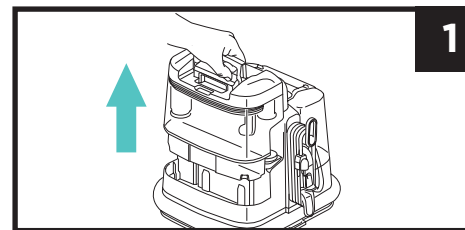


Kuppi

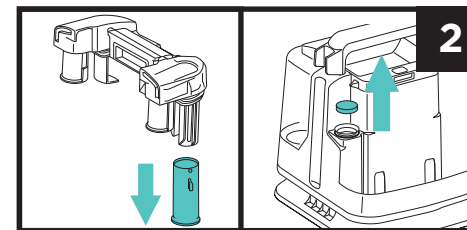


Suodatin

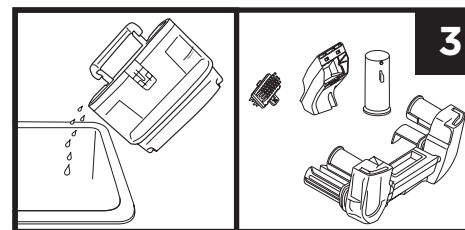
HUOLTO



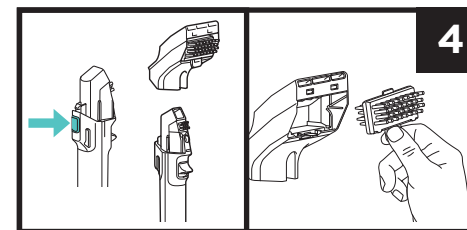
1. Irrota likavesisäiliö pitämällä samalla säiliötä pystyasennossa, ja aseta se tasaiselle pinnalle. Työnnä kahva kokonaan taakse, kunnes se napsahtaa, ja nosta sitten kansi pois.



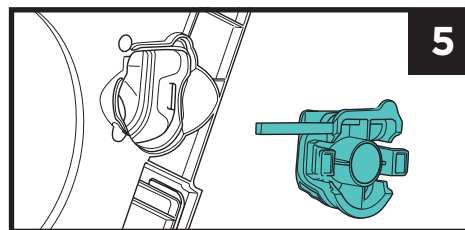
2. Puhdista säätöventtiili ja varmista, että se liikkuu vapaasti. Poista vaahтомуovisuodatin laitteesta puhdistamisen ajaksi.



3. Kaada likavesisäiliöstä likainen neste pois ja napauta mahdolliset roskat irti. Puhdista mahdollinen muu lika käsityökalusta, harjoista, kannesta ja säätöventtiilistä. Huuhtelee kaikki osat huolellisesti saippualla ja vedellä ja anna kuivua täysin ennen osien asentamista takaisin paikalleen.



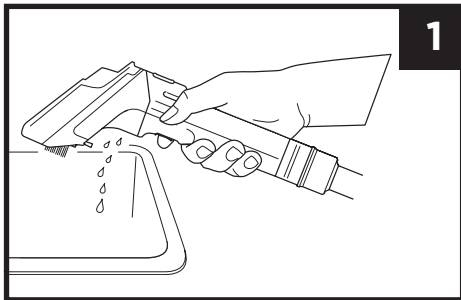
4. Irrota käsityökalu painamalla vapautuspainiketta. Irrota käsityökalun kansi ilmaraon puhdistamiseksi. Pese käsityökalun harjat huolellisesti.



5. Puhdista mahdolliset jumiin jääneet roskat irrottamalla liitoskappale laitteen pohjasta. Poista kaikki roskat ja sulje luukku.

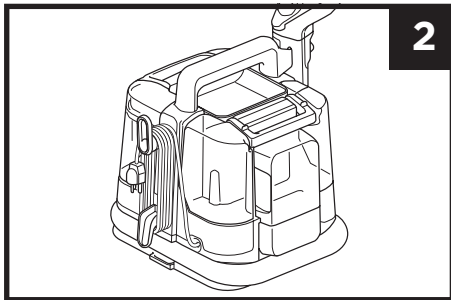
HUOMAUTUS: Puhdista laite jokaisen käyttökerran jälkeen hajujen, bakteerien ja homeen välttämiseksi.

SÄILYTYS



1

1. Irrota laite pistorasiasta ja aseta se lähelle pesuallasta, WC-istuinta tai viemäriä laitteeseen asennetussa työkalussa jäljellä olevan nesteen tyhjentämiseksi. Puhdista laite ja kaikki osat (katso osiot Huolto).



2

2. Kun olet puhdistanut kaiken ja osat ovat kuivuneet, kiinnitä kaikki työkalut takaisin paikalleen. Kierrä virtajohto paikalleen ja säilytä letkun puhdistustyökalua laitteessa. Kierrä letku laitteen rungon ympärille.

PUHDISTUS- JA KUIVAUSOPAS

PUHDISTUS:

- Kun käytät puhdistusainetta, levitä sitä puhdistuksen alussa ainoastaan tahran alueelle. Älä kyllästä aluetta liikaa äläkä jatka suihkuttamista puhdistuksen aikana.
- Jos tahra on vanha tai pinttynyt, anna puhdistusaineen vaikuttaa 5–20 minuuttia ennen tahran hankaamista.
- Jos tahra on tuore, se voidaan poistaa heti suihkuttamisen jälkeen.
- Hankaa aluetta aina huolella tahran hajottamiseksi. Parhaan tuloksen saat harjaamalla useisiin eri suuntiin.
- Varmista aina, että käyttämäsi liuossuhteet ovat oikeat, kun otat laitteen käyttöön tahrannoistoa varten.

KUIVAUS:

- Kun poistat nestettä, liikuta laitetta puhdistettavan alueen päällä yhdenmukaisena kuviona kohdistamalla painetta kauttaaltaan.
- Ihanteellisen imutehon varmistamiseksi kallista käsityökalua siten, että imuaukot ovat puhdistettavan pinnan myötäisesti.
- Jatka laitteen liikuttamista puhdistusalueella, kunnes nestettä ei enää kulje käsityökalun ikkunan kautta.

Lisätietoa saat skannaamalla QR-koodin ja katsomalla **OHJEVIDEOT**.



PUHDISTUSLIUKOKSET



Shark Deep Clean Pro
Voit tilata Shark Deep Clean Pro- ja Shark OxyMultiplier -täyttöpakkauksia skannaamalla QR-koodin.



Shark OXY Multiplier
Tehokas tahrannoistoaaine pinttynneiden tahrojen ja hajujen poistoon.



Voit tilata Shark Deep Clean Pro- ja Shark OxyMultiplier -täyttöpakkauksia skannaamalla QR-koodin.

TEKNISET TIEDOT

PX200-sarja: 20-240V~, 50-60Hz, 450W

SÄILYTÄ NÄMÄ TIEDOT

Mallinumero: _____

Ostopäivä: _____
(Säilytä kuitti)

Ostopaikka: _____

©2024 SharkNinja Operating LLC.

SharkNinja Europe Limited, 1st/2nd Floor Building 3150, Thorpe Park, Century Way, Leeds, LS15 8ZB, UK

www.sharkclean.eu

SharkNinja Germany GmbH, Rotfeder-Ring 9, 60327 Frankfurt am Main, Germany.

SHARK ja STAINSTRIKER ovat SharkNinja Operating LLC rekisteröityjä tavaramerkkejä Euroopan unionissa. Kuvat saattavat näyttää erilaisilta kuin varsinainen tuote.

Ongelma	Ratkaisu
Suihkutus on epätasaista tai suihkutus ei toimi	Varmista, että kummassakin puhdistusainesäiliössä on puhdistusliuosta. Varmista, että Deep Clean Pro-säiliö on asennettu oikein paikalleen. Varmista, että laite on kytketty pistorasiaan ja virta on päällä.
Heikko imuteho tai ei imutehoa	Varmista, että likavesisäiliö ei ole täynnä ja että se on asennettu oikein paikalleen. Tarkista tukokset laitteen alta ja puhdista letkun päähän mahdollisesti juuttuneet roskat. Jos laitteeseen on kiinnitetty puhdistustyökalu, varmista, että se on liitetty oikein. Poista roskat puhdistustyökaluista.
Laite ei mene päälle	Tarkista, että laite on kytketty kunnolla pistorasiaan. Kokeile toista pistorasiaa. Varmista, että virtapainiketta on painettu.
Laitteesta vuotaa nestettä	Likavesisäiliö saattaa olla täynnä. Varmista, että likavesisäiliö ja Deep Clean Pro-säiliö on asennettu oikein paikalleen. Varmista, että likavesisäiliössä oleva säätöventtiili ei ole jumissa. Varmista, että laite on vakaalla, tasaisella pinnalla.
Puhdistusainesäiliöt vuotavat	Varmista, että puhdistusainesäiliöiden korkit on kunnolla kiinni. Varmista, että kummatkin puhdistusainesäiliöt on asennettu oikein paikalleen ja että korkit ovat napsahaneet kiinni.

Kun asiakas ostaa tuotteen Euroopassa, hänellä on laitteen laatua koskevat lailliset oikeudet (lakisääteiset oikeudet). Voit käyttää näitä oikeuksia jälleenmyyjää vastaan. Shark® on kuitenkin niin vakuuttunut tuotteidensa laadusta, että yhtiö myöntää sinulle ylimääräisen valmistajan takuun jopa kolmeksi vuodeksi (2 vuoden perustakuun sekä 1 vuoden lisätakuun, kun rekisteröit tuotteen). Nämä ehdot koskevat vain valmistajan takuuta, eivätkä ne vaikuta käyttäjän lakisääteisiin oikeuksiin.

Alla esitetyissä ehdoissa kuvataan myöntämämme takuun edellytykset ja laajuus. Ne eivät vaikuta lakisääteisiin oikeuksiisi tai oman jälleenmyyjäsi velvollisuuksiin eivätkä jälleenmyyjän kanssa solmimaasi sopimukseen.

Shark®-takuun sisältö

Shark-laitteesi on merkittävä sijoitus. Uuden tahrannoistajasi on toimittava kunnolla mahdollisimman kauan. Kodinkoneelle myönnettävä takuu on huomionarvoinen asia ja kertoo valmistajan luottamuksesta omaan tuotteeseensa ja valmistuksen laatuun. Jokainen Shark-laite sisältää maksuttoman varaosa- ja korjaustyötakuun. Asiakastukea on saatavana myös verkon kautta osoitteessa sharkclean.eu.

Miten rekisteröin Shark-takuun?

Voit rekisteröidä takuun verkossa 28 päivän kuluessa tuotteen ostamisesta. Ajan säästämiseksi tarvitset seuraavat tiedot tahrannoistajastasi:

- Laitteen ostopäivämäärä (kuitista tai lähety ilmoituksesta).

TÄRKEÄÄ:

- Takuu kattaa tuotteen vain sen ostopäivämäärästä.
- Säilytä kuitti aina tallessa. Mikäli sinun täytyy hyödyntää takuuta, tarvitsemme kuitin tarkistaaksemme, että antamasi tiedot ovat oikein. Kelpuutetun kuitin puuttuminen mitätöi takuun.

Mitä etua on maksuttoman Shark-takuun rekisteröinnistä?

Rekisteröityäsi takuusi meillä on yhteystietosi siltä varalta, että joudumme jostain syystä ottamaan sinuun yhteyttä.

Lisäksi voit saada vinkkejä ja neuvoja siitä, miten voit hyödyntää Shark-laitettasi parhaalla mahdollisella tavalla, ja saat tietoja uusista Shark®-tekniikoista ja -tuotteista. Rekisteröidessäsi takuun verkossa saat heti vahvistuksen tietojesi vastaanottamisesta.

Miten pitkä on uusien Shark-laitteiden takuu?

Koska luotamme suunnitteluamme ja laadunvalvontaamme, myönämme uudelle Shark-laitteellesi kaikkiaan kolmen vuoden takuun.

Mitä maksuton Shark-takuu kattaa?

Shark-laitteen korjaus ja vaihto (Sharkin harkinnan mukaisesti) mukaan lukien kaikki osat ja työ. Shark-takuu on lisäys kuluttajan lakisääteisiin oikeuksiin.

Mitä maksuton Shark-takuu ei kata?

Rekisteröityäsi takuusi meillä on yhteystietosi siltä varalta, että joudumme jostain syystä ottamaan sinuun yhteyttä.

Lisäksi voit saada vinkkejä ja neuvoja siitä, miten voit hyödyntää Shark-laitettasi parhaalla mahdollisella tavalla, ja saat tietoja uusista Shark®-tekniikoista ja -tuotteista. Rekisteröidessäsi takuun verkossa saat heti vahvistuksen tietojesi vastaanottamisesta.

1. Normaalia käyttotarvikkeiden kulumista (esim. lisätarvikkeiden). Varaosia voi ostaa osoitteesta sharkclean.eu.
2. Väärinkäytöstä, huolimattomasta käsittelystä, vaadittavan huollon suorittamatta jättämisestä tai väärästä käsittelystä kuljetuksen aikana aiheutuvaa vauriota.
3. Sharkin valtuuttamattoman huollon aiheuttamaa vikaa.

Mistä voin ostaa alkuperäisiä Shark-varaosia ja -lisävarusteita?

Shark-varaosat ja -varusteet ovat samojen asiantuntijoiden kehittämiä kuin Shark-laite. Kaikki Shark-varaosat sekä kaikkien Shark-laitteiden vaihto-osat ja lisävarusteet ovat saatavilla osoitteessa sharkclean.eu.

Huomioi, että takuu ei välttämättä kata muiden kuin Shark-varaosien käytöstä aiheutuneita vahinkoja.

INNEHÅLL

Viktiga säkerhetsinstruktioner	103
Detta ingår	104
Komma igång	105
Hur man använder handverktyget	106
Underhåll	107
Rengöra smutsvattenbehållaren	107
Rengöra handverktygen	107
Rensa systemet	107
Förvaring	108
Anvisningar för rengöring och torkning	108
Shark rengöringslösningar	109
Tekniska data	109
Felsökning	110
Garanti	111



Denna märkning anger att produkten inte får kastas bland hushållsavfall. För att förhindra miljöbelastning eller skador på människors hälsa till följd av okontrollerad avfallshantering, ska apparaten återvinnas på ett ansvarsfullt sätt för att främja en hållbar återanvändning av material. För att återlämna en använd enhet kan du använda dig av befintliga retur- och insamlingssystem, eller kontakta den återförsäljare där produkten köptes. Produkten ska lämnas för miljösäker återvinning.

Voit katsoa muun muassa **OHJEVIDEOITA** skannaamalla QR-koodin.



VIKTIGA SÄKERHETSINSTRUKTIONER - ENDAST FÖR HUSHÅLLSBRUK

LÄS IGENOM FÖRE ANVÄNDNING – SPARA DESSA INSTRUKTIONER.
ENDAST FÖR HUSHÅLLSBRUK; LÄS IGENOM ALLA INSTRUKTIONER
FÖRE ANVÄNDNING AV PRODUKTEN

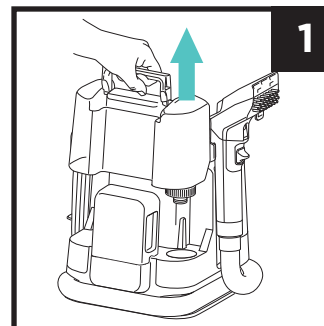
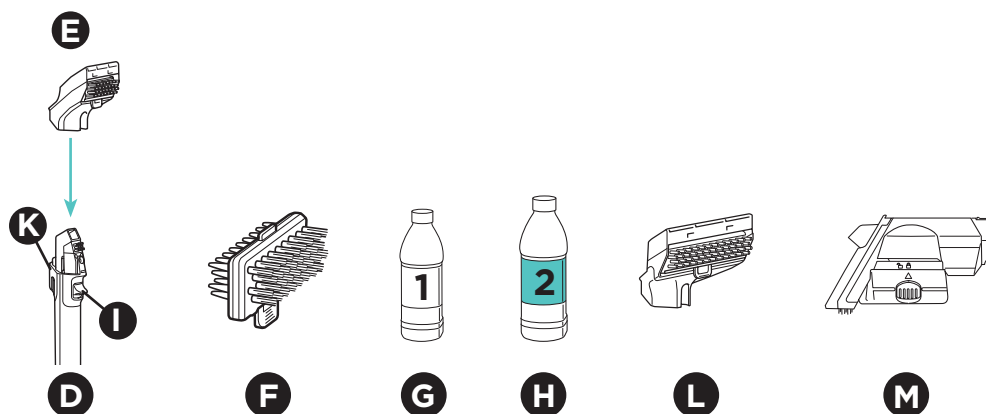
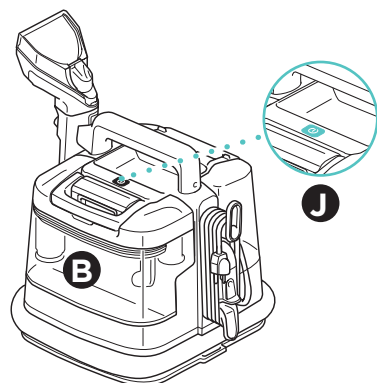
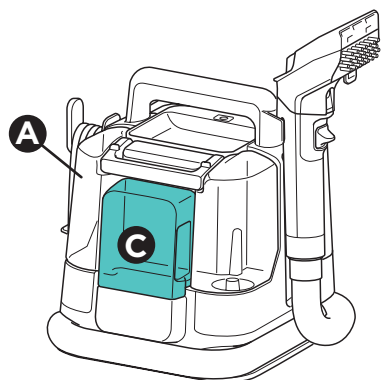
⚠ VARNING FÖR ATT MINSKA RISKEN FÖR BRAND, ELSTÖTAR, PERSONSKADOR ELLER MATERIELLA SKADOR:

Den här apparaten är inte avsedd att användas av personer med nedsatt fysisk, sensorisk eller psykisk förmåga, eller som saknar erfarenhet eller kunskap, om de inte övervakas eller får instruktioner om apparatens användning av en person som är ansvarig för deras säkerhet. Barn får inte använda eller leka med den här apparaten. Noggrann uppsikt krävs för att hålla apparaten och sladden utom räckhåll för barn under användning. Vi rekommenderar att du läser användnings- och skötselinstruktionerna från golvtillverkaren innan du använder din apparat.

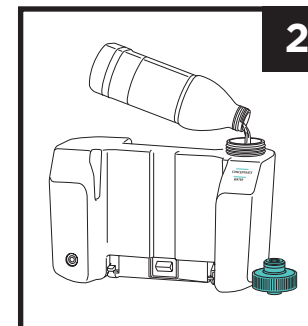
- Felaktig inkoppling av apparatens jordanslutning kan innebära risker för elstötar. Fråga en kvalificerad elektriker eller servicetekniker om du är osäker på om eluttaget är korrekt jordat.
 - Modifiera **INTE** stickkontakten som medföljer apparaten.
 - Tvinga **INTE** in stickkontakten i eluttaget och gör inga försök att modifiera den.
 - Dra, kläm eller linda **INTE** sladden runt skarpa kanter eller i dörrar. Håll i stickkontakten, inte i sladden för att dra ut den ur eluttaget. Håll sladden på avstånd från uppvärmda ytor.
 - Undvik risk för brand eller elstötar på grund av inre komponentfel genom att ENDAST använda Shark Deep Clean Pro/StainStriker i rätt behållare enligt avsedd användning av apparaten. Se instruktioner i denna bruksanvisning.
 - Området omkring det område som rengörs kan bli vått. Var försiktig för att undvika halk- eller fallrisker.
 - Var försiktig vid borttagning och infästning av produktens handenheter för att undvika oavsiktlig aktivering av rengöringslösningen.
 - Spruta **INTE** rengöringslösning på huden eller i ögonen.
 - Fyll **INTE** på lösningsbehållarna när de är monterade på apparaten. Ta bort dem före påfyllning.
 - Använd **INTE** apparaten om den har blivit våt utanpå. Torka av med en trasa före användning om apparaten är våt.
 - Minska risken för elstötar och oavsiktlig påslagning genom att dra ut stickkontakten från eluttaget före inställning, rengöring, underhåll eller felsökning av apparaten.
 - Kontrollera alla delar noga för eventuella skador eller slitage före användning. Avbryt användningen om någon del är skadad eller utsliten. Använd **INTE** apparaten om någon del är skadad eller om apparaten inte fungerar riktigt, har tappats, lämnats utomhus eller hamnat i vatten.
 - Sänk **INTE** ned i eller spraya vatten på produktens huvudenhet. Rengör genom att torka av utsidan med en torr trasa.
 - Låt **INTE** barn leka med apparaten. Noggrann uppsikt krävs när dammsugaren används i närheten av barn.
 - Vidrör **INTE** stickkontakten eller apparaten med våta händer.
 - Använd **INTE** apparaten utan att smutsvattenbehållaren, rengöringsmedelsbehållaren och filtret är monterade.
 - Använd endast Shark® originalreservdelar. Använd endast filter och tillbehör från Shark®.
 - Vid inkoppling med förlängningskabel skall denna inte vara längre än 15 m för att undvika skador på motorn.
 - Placera **INTE** produkten på en ojämn yta.
 - Använd **INTE** produkten för att suga upp:
 - Stora föremål
 - Hårda eller vassa föremål (glas, spik, skruvar eller mynt)
 - Stora damnmängder (t.ex. gipsdamm).
 - Rykande eller brinnande föremål (glödande kol, cigarettfimpar eller tändstickor)
 - Brandfarligt eller brännbart material (tändvätska, bensin eller fotogen)
 - Giftiga ämnen (t.ex. klorblekmedel, ammoniak eller avloppsrensingsmedel)
 - Använd **INTE** produkten på följande platser:
 - Dåligt upplysta områden
 - Utomhus
 - Instängda utrymmen som kan innehålla explosiv eller giftig rök eller ånga (t.ex. tändvätska, bensin, fotogen, färg, färgförtunning, malmedel, eller antändbart damm).
- Unvik **ATT**: Trycka in sprutmunstycket utan att rikta det mot det avsedda området. VARNING: Sprutning kan fortsätta när apparaten har stängts av.

- A** Deep Clean Pro-behållare
- B** smutsvattenbehållare
- C** StainStriker-behållare
- D** Spaltmunstycke
- E** Fläckborttagningsmunstycke
- F** 2 st vändbara borstar
- G** 177 ml Deep Clean Pro Formula

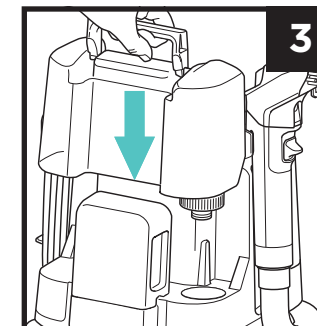
- H** 355 ml OXY Multiplier Formula
- I** Sprutavtryckare
- J** Strömbrytare
- K** Bortkopplingsknapp
- L** Brett fläckborttagningsmunstycke*
- M** Husdjursfläckmunstycke*



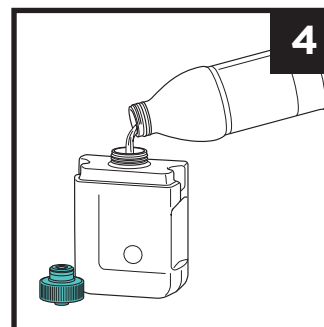
1. Ta bort Deep Clean Pro-behållaren från apparaten. Vänd på behållaren, skruva bort och ta bort locket.



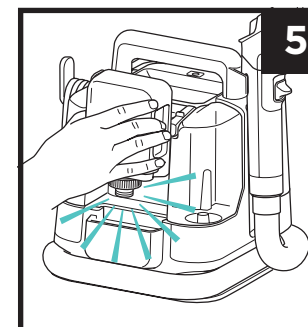
2. Fyll på vatten i Deep Clean Pro-behållaren upp till vattennivåmarkeringen. Fyll därefter på CarpetExpert upp till koncentratnivåmarkeringen.



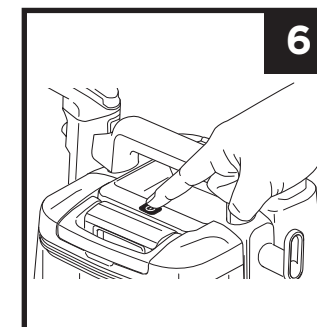
3. Skruva på locket och sätt tillbaka behållaren så att den klickar fast.



4. Lossa StainStriker-behållaren från apparaten och vänd på den. Skruva bort locket och fyll på StainStriker i behållaren.



5. Skruva på locket och sätt tillbaka behållaren så att den klickar fast.



6. Rulla ut strömsladden och koppla in den i ett eluttag. Slå PÅ apparaten för att starta rengöfingen.

* Verktyg som säljs med husdjursmodellen PX200EUT (eller kan beställas separat)

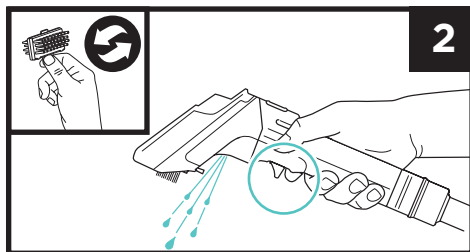
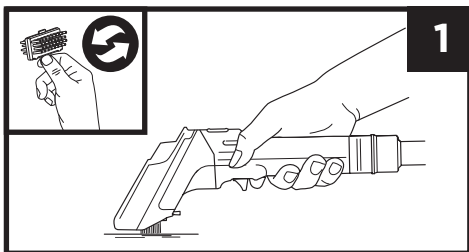
OBS! Alla tillbehör medföljer inte alla apparater. Vilka munstycken som medföljer beror på modell. Fler tillbehör finns att beställa på www.sharkclean.eu

VIKTIGT: Sug upp genom vanlig dammsugning före användning av StainStriker. Använd **ENDAST** rengöringslösningar från Shark, Deep Clean Pro och Oxy Multiplier.

VÅT FLÄCKBORTTAGNING

TORR FLÄCKBORTTAGNING

UNDERHÅLL



1. Se fläckborttagningsguiden för våta fläckar på handhетен. Slå på strömbrytaren och sug upp den våta fläcken. Spruta på fläcken. Skrubba med borstarna och luta handhетен framåt och dra den över fläcken för att ta upp vätskan. Upprepa vid behov. Spruta inte för länge för att undvika längre torktid.

2. Se fläckborttagningsguiden för torra fläckar på handhетен. Slå på apparaten med strömbrytaren. Skrubba på fläcken, spruta och skrubba igen och luta sedan handhетен framåt och dra den över fläcken för att suga upp vätskan. Upprepa vid behov. Spruta inte för länge för att undvika längre torktid.

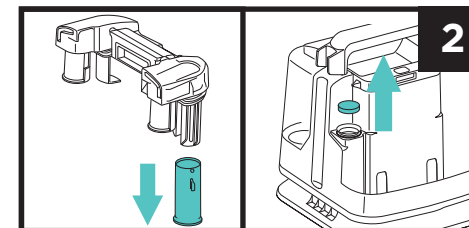
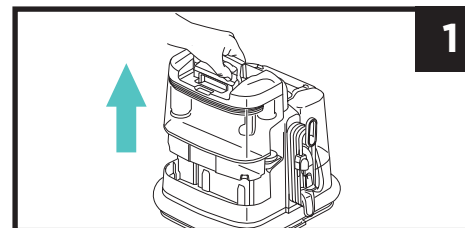
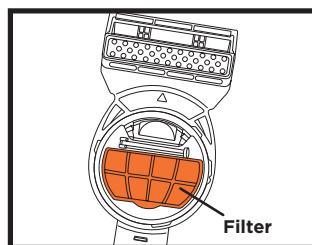
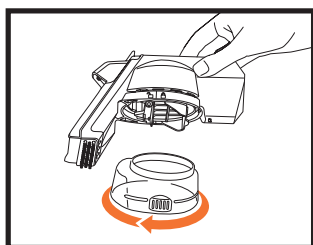
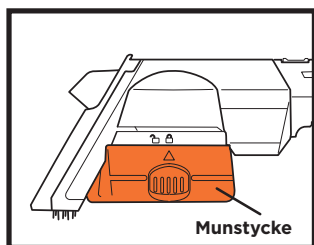
Obs! För svåråtkomliga ställen kan apparaten användas utan att handhетен sätts fast, med bara ett spaltmunstycke.

Tips: Val av borstar - gummborstarna är mest lämpade för rengöring av ömtåliga ytor och stoppmöbler. De styva borsten är idealiska för envisa fläckar på ytor som utsätts för nötning.

MUNSTYCKE FÖR HUSDJURSFLÄCKAR

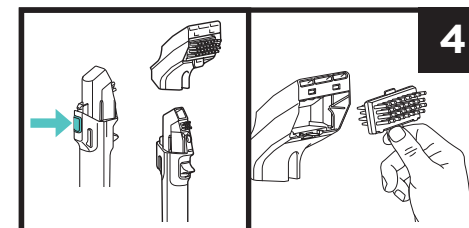
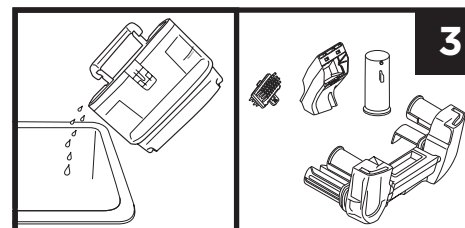
Shark husdjursfläckmunstycke medföljer vissa modeller. Med detta kan ohygienisk smuts fångas upp utan att den fastnar i slangen och inuti apparaten. Använd **INTE** munstycket för att fånga djurhår. Spruta på den våta fläcken och fånga sedan upp den enligt anvisningar ovan. Spruta inte för mycket för att undvika övermättning. Fyll **INTE** på mer än upp till **MAX FILL**-markeringen på husdjursmunstyckets behållare.

Håll munstycket horisontellt utan att luta det för att förhindra att smutsen fastnar i slangen. Stäng av strömbrytaren efter användning av huvudenheten och töm munstyckets behållare efter behov. Rengör behållaren, filtret och resten av munstycket grundligt med diskmedel och vatten efter varje användning.



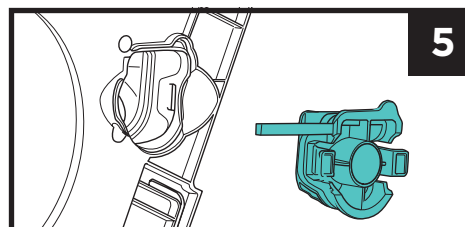
1. Lossa smutsvattenbehållaren, håll den upprätt och placera den på en horisontell yta. Tryck in handtaget helt tills ett klickljud hörs, och lyft sedan av locket.

2. Rengör flöttörventilen och kontrollera att den kan röra sig fritt. Ta bort skumfiltret från apparaten under rengöring.



3. Det kan vara lämpligt att tömma smutsvattentanken för att få ut lös smuts. Rengör handheter, borst, lock och flöttörventil från all smuts. Skölj alla delar noga med diskmedel och låt dem torka helt innan de monteras igen.

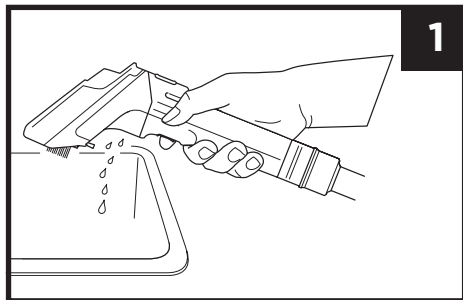
4. Lossa handhетен genom att trycka in lossningsknappen. Ta bort höljet från handhетен och rengör luftkanalen. Skölj av handhетens borst grundligt.



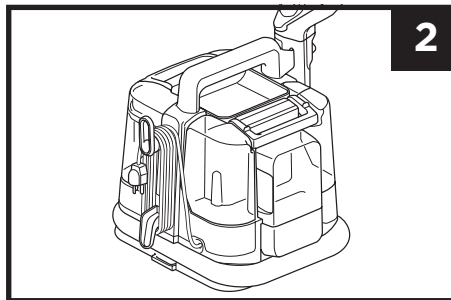
5. Avlägsna från igensättande smuts genom att ta lossa fästclipset på apparatens undersida. Avlägsna all smuts och stäng luckan.

Obs! Rengör apparaten efter varje användning för att undvika dålig lukt, bakterier och mögel.

FÖRVARING



1



2

1. Dra ur apparatens stickkontakt och placera den intill en tvätttho, toalett eller avloppsbrunn för tömning av kvarvarande vätska ur det använda munstycket. Rengör apparaten och alla delar (se "Underhålla").
2. Sätt tillbaka alla munstycken när alla delar har rengjorts och torkat. Rulla upp strömsladden och förvara apparaten med monterat munstycke. Linda upp slangen omkring enhetens fot.

ANVISNINGAR FÖR RENGÖRING OCH TORKNING

RENGÖRING:

- För applicering av rengöringslösning: täck endast fläcken i början av rengöringen. Undvik övermättningsområde och fortsätt sprutning under rengöring.
- För gamla ingrodda fläckar: låt rengöringslösningen verka i 5-20 minuter på fläcken innan den bearbetas.
- Nya fläckar kan rengöras direkt efter sprutning.
- Bearbeta det påverkade området så att fläcken upplöses helt. Borsta i olika riktningar för bästa resultat.
- Var noga med att alltid använda rätt spädning av när apparaten förbereds för rengöring.

TORKNING:

- Vid tillsättning av vätskan, passera över fläcken med en jämn rörelse och ett jämnt tryck över fläcken.
- Vinkla handenheten så att sugöppningarna är parallella med rengöringsytan för optimalt resultat.
- Fortsätt att passera över rengöringsområdet tills vätskan inte längre kommer ut ur handenheten.

För information, skanna QR-koden för att se **INSTRUKTIONSVIDEOR**.



RENGÖRINGSMEDLENS SAMMANSÄTTNING



Shark Deep Clean Pro
För professionell djuprengöring och borttagning av smuts i mattor.



Shark OXY Multiplier
Aggressivt fläckborttagningsmedel för envisa fläckar och dålig lukt.



Skanna QR-koden för att beställa| Shark Deep Clean Pro och Shark OxyMultiplier.

TEKNISKA DATA

PX200-serien: 220-240V~, 50-60Hz, 450W

NOTERA DENNA INFORMATION

Modellnummer: _____

Inköpsdatum: _____
(Spara kvittot)

Inköpsbutik: _____

©2024 SharkNinja Operating LLC.
SharkNinja Europe Limited, 1st/2nd Floor Building 3150, Thorpe Park, Century Way, Leeds, England, LS15 8ZB

www.sharkclean.eu

SharkNinja Germany GmbH, Rotfeder-Ring 9, 60327 Frankfurt am Main, Germany

SHARK och STAINSTRIKER är registrerade varumärken i Europeiska unionen som tillhör SharkNinja Operating LLC. Figurer kan avvika från den verkliga produkten.

Problem	Lösning
Avbruten eller ingen sprutning	Kontrollera fyllningsnivån i båda lösningsbehållarna. Kontrollera att Deep Clean Pro-behållaren är rätt monterad. Kontrollera att apparaten är rätt inkopplad och att den är påslagen.
Låg eller ingen sugeffekt	Kontrollera att smutsvattenbehållaren inte är full och att den är rätt monterad. Kontrollera igensättningsöppningen under apparaten och avlägsna all smuts som har fångats i änden av slangen. Se alltid till att ett munstycke som monteras är rätt monterat. Ta bort all smuts från rengöringstillbehör.
Apparaten startar inte	Kontrollera att apparaten är rätt inkopplad. Prova med ett annat eluttag. Kontrollera att strömbrytaren har slagits på.
Vätska läcker från apparaten	Smutsvattenbehållaren kan vara full. Kontrollera att smutsvattenbehållaren och Deep Clean Pro-behållaren är rätt monterade. Kontrollera att smutsvattenbehållarens flottörventil inte är blockerad. Kontrollera att apparaten står på en stabilt horisontellt underlag.
Lösning på läckande behållare	Kontrollera att locken på behållarna är helt täta. Kontrollera att båda behållarna är rätt monterade och att locken är ordentligt påsatta.

När en kund köper en produkt i Europa får de fördelar av juridiska rättigheter som hänför sig till kvaliteten på produkten (dina lagstadgade rättigheter). Du kan driva igenom dessa rättigheter mot din återförsäljare. Vi på Shark® är dock så säkra på våra produkters kvalitet, att vi ger dig en extra fabriksgaranti på upp till tre år (2 år som standard plus 1 år när du registrerar dig). Dessa villkor gäller endast vår fabriksgaranti och dina lagstadgade rättigheter påverkas inte.

Villkoren nedan beskriver förutsättningarna för och omfattningen av vår garanti. De påverkar inte dina lagstadgade rättigheter eller återförsäljarens skyldigheter och ej heller ditt avtal med återförsäljaren.

Shark®-garantier

Din Shark-enhet utgör en stor investering. Din nya fläckrengörare behöver fungera korrekt under en så lång tid som möjligt. Den medföljande garantin återspeglar tillverkarens förtroende för sin produkt och tillverkningskvalitet. Varje apparat från Shark inkluderar garanti för delar och arbete. Du kan också hitta hjälp online på sharkclean.eu

Hur registrerar jag mig för Shark-garanti?

Du kan registrera din garanti online inom 28 dagar från inköp. För att spara tid, ha följande information om din fläckrengörare till hands:

- Datum då du köpte enheten (kvitto eller leveranskvitto).

VIKTIGT:

- Garantin täcker endast din produkt från inköpsdatumet.
- Spara alltid kvittot. Skulle du behöva använda din garanti behöver vi kvittot för att bekräfta att den information du ger oss är korrekt. Om du inte kan uppvisa ett giltigt kvitto kan det ogiltigförklara din garanti.

Vilka är fördelarna med att registrera den inkluderade Shark-garantin?

När du registrerar din garanti har vi dina uppgifter till hands om vi behöver ta kontakt.

Du kan också få tips och råd om hur du får största möjliga nytta av din Shark-enhet och de senaste nyheterna om nya produkter och lanseringar från Shark®. Om du registrerar din garanti online, får du genast en bekräftelse om att vi har tagit emot dina uppgifter.

Hur länge gäller garantin för din nya Shark-apparat?

Vi är så övertygade om vår produktdesign och kvalitetskontroll att din nya Shark-enhet har en garanti på sammanlagt tre år.

Vad täcks av den inkluderade Shark-garantin?

Reparation eller byte av din Shark-apparat (enligt Sharks gottfinnande), inklusive alla delar och arbete. En Shark-garanti gäller utöver dina lagliga rättigheter som köpare.

Vad täcks inte av den inkluderade Shark-garantin?

När du registrerar din produkt har vi dina uppgifter till hands om vi behöver ta kontakt.

Du kan också få tips och råd om hur du får största möjliga nytta av din Shark-enhet och de senaste nyheterna om nya produkter och lanseringar från Shark®. Om du registrerar din garanti online, får du genast en bekräftelse på att vi har tagit emot dina uppgifter.

1. Normalt slitage på bärbara delar (t.ex. tillbehör). Reservdelar finns att köpa på sharkclean.eu
2. Skada orsakad av felaktig eller olämplig användning, försumlig hantering, underlåtenhet att utföra nödvändigt underhåll eller skada orsakad av felaktig hantering under transport.
3. Skada orsakad av underhåll som inte är godkänd av Shark.

Var kan jag köpa Sharks originalreservdelar och tillbehör?

Sharks reservdelar och tillbehör utvecklas av samma ingenjörer som har utvecklat din Shark-enhet. Du hittar ett fullständigt sortiment av Sharks reservdelar och tillbehör för alla Shark-maskiner på sharkclean.eu

Kom ihåg att skador som orsakas av användning av reservdelar som inte kommer från Shark kanske inte täcks av din garanti.



SHARK and STAINSTRIKER are registered trademarks in the European Union of SharkNinja Operating LLC.

**SharkNinja Europe Limited,
1st/2nd Floor Building 3150,
Thorpe Park, Century Way,
Leeds, England, LS15 8ZB
+44 (0)800 862 0453
www.sharkclean.co.uk**

**SharkNinja Germany GmbH,
Rotfeder-Ring 9,
60327 Frankfurt am Main,
Germany
www.sharkclean.eu**