

Thank you for purchasing this product.
For optimum performance and safety, please read these instructions carefully.
Please keep this manual for future reference.

Wir möchten Ihnen dafür danken, dass Sie sich für dieses Gerät entschieden haben.
Um eine optimale Leistung und Sicherheit zu gewährleisten, lesen Sie bitte diese Bedienungsanleitung sorgfältig durch. Bewahren Sie diese Anleitung auf, um sie später zum Nachschlagen griffbereit zu haben.

La ringraziamo per aver acquistato questo prodotto.
Per ottenere le prestazioni migliori e per la sicurezza, leggere attentamente queste istruzioni.
Conservare questo manuale per future consultazioni.

Nous vous remercions pour votre achat de cet appareil.
Pour en obtenir des performances optimales et pour votre sécurité, veuillez lire attentivement le présent manuel.
Conservez ce manuel.

Dank u voor de aankoop van dit product.
Gelieve deze gebruiksaanwijzing aandachtig door te lezen voor een optimale prestatie en een veilig gebruik van het systeem.
Bewaar deze gebruiksaanwijzing.

Tak fordi du har valgt dette produkt.
Læs venligst denne betjeningsvejledning omhyggeligt, således at optimal ydelse og sikkerhed opnås.
Gem vejledningen til senere brug.

Děkujeme za zakoupení tohoto výrobku.
Pro dosažení optimálního výkonu a z bezpečnostních důvodů si pečlivě přečtěte tyto pokyny.
Ušchovejte si prosím tento návod k obsluze.

Tack för valet av denna apparat.
Läs igenom bruksanvisningen noga för bästa resultat och för säkerhets skull.
Spara denna bruksanvisning.

Takk for at du kjøpte dette produktet.
For optimal ytelse og sikkerhet, bør du lese denne bruksanvisningen nøye.
Ta vare på denne bruksanvisningen for fremtidig referanse.

Panasonic®

Operating Instructions
Bedienungsanleitung
Istruzioni per l'uso
Mode d'emploi
Gebruiksaanwijzing
Betjeningsvejledning
Návod k obsluze
Bruksanvisning
Bruksanvisning
DAB-FM Radio
DAB FM-Radio
Radio DAB-FM
Radio DAB-FM
DAB-FM radio
DAB-FM-radio
Rádio DAB-FM
DAB-FM-radio
DAB-FM-radio

Model No. **RF-D10**

EG

RQTN0173

Safety precautions

WARNING!

Unit

- To reduce the risk of fire, electric shock or product damage,
 - Do not expose this unit to rain, moisture, dripping or splashing.
 - Do not place objects filled with liquids, such as vases, on this unit.
 - Use only the recommended accessories.
 - Do not remove covers.
 - Do not repair this unit by yourself. Refer servicing to qualified service personnel.

AC mains lead

- The mains plug is the disconnecting device. Install this unit so that the mains plug can be unplugged from the socket outlet immediately.

CAUTION!

Unit

- This unit may receive radio interference caused by mobile telephones during use. If such interference occurs, please increase separation between this unit and the mobile telephone.

Battery

- Danger of explosion if battery is incorrectly replaced. Replace only with the type recommended by the manufacturer.
- When disposing the batteries, please contact your local authorities or dealer and ask for the correct method of disposal.
- Do not heat or expose to flame.
- Do not leave the battery(ies) in a car exposed to direct sunlight for a long period of time with doors and windows closed.
- Do not break open or short-circuit the battery.
- Do not charge the alkaline or manganese battery.
- Do not use the battery if the cover has peeled off.
- Remove the battery if you do not use the unit for a long period of time or if the unit is to be powered exclusively by AC power. Keep in a cool, dark area.

Small objects

- The knobs (e.g., [VOLUME] knob) can come off when pulled hard. To prevent children from swallowing the knob, do not pull it off.

Supplied accessories

Check and identify the supplied accessories.

- 1 AC mains lead

Table of contents

Safety precautions	2
Supplied accessories	2
Overview of controls	3
Power sources	4
Getting started	4
DAB	4
FM radio	5
System settings	6
Troubleshooting	6
Specifications	7

This product incorporates the following software:

- (1) The software developed independently by or for Panasonic Corporation,
- (2) The software owned by third party and licensed to Panasonic Corporation, and/or
- (3) Open source software

The software categorized as (3) is distributed in the hope that it will be useful, but WITHOUT ANY WARRANTY, without even the implied warranty of MERCHANTABILITY or FITNESS FOR A PARTICULAR PURPOSE. Please refer to the detailed terms and conditions thereof shown below.

This software is copyright 2008 Simon Tatham.

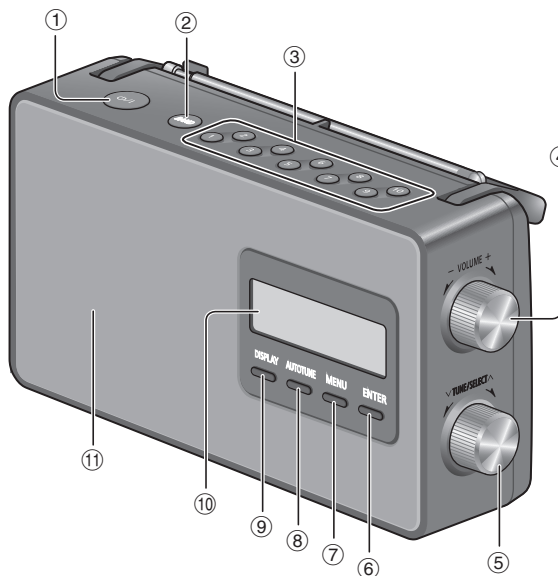
Permission is hereby granted, free of charge, to any person obtaining a copy of this software and associated documentation files (the "Software"), to deal in the Software without restriction, including without limitation the rights to use, copy, modify, merge, publish, distribute, sublicense, and/or sell copies of the Software, and to permit persons to whom the Software is furnished to do so, subject to the following conditions:

The above copyright notice and this permission notice shall be included in all copies or substantial portions of the Software.

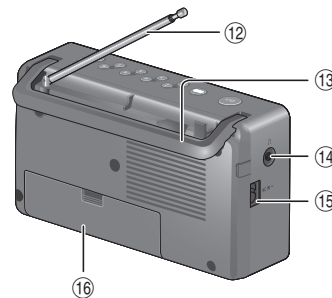
THE SOFTWARE IS PROVIDED "AS IS", WITHOUT WARRANTY OF ANY KIND, EXPRESS OR IMPLIED, INCLUDING BUT NOT LIMITED TO THE WARRANTIES OF MERCHANTABILITY, FITNESS FOR A PARTICULAR PURPOSE AND NONINFRINGEMENT. IN NO EVENT SHALL THE COPYRIGHT HOLDERS BE LIABLE FOR ANY CLAIM, DAMAGES OR OTHER LIABILITY, WHETHER IN AN ACTION OF CONTRACT, TORT OR OTHERWISE, ARISING FROM, OUT OF OR IN CONNECTION WITH THE SOFTWARE OR THE USE OR OTHER DEALINGS IN THE SOFTWARE.

Overview of controls

Front view



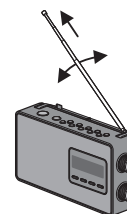
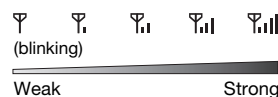
Rear view



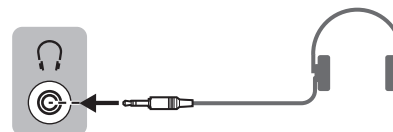
- ① **Standby/on switch** [⏻/⏹]
Press to switch the unit from on to standby mode or vice versa. In standby mode, the unit is still consuming a small amount of power.
- ② Select FM or DAB radio
- ③ Direct preset buttons
- ④ Adjust the volume
- ⑤ Select desired frequency in manual tuning
View available options
- ⑥ Confirm an option
- ⑦ View available menu
- ⑧ Auto tuning for FM stations
- ⑨ View available information
- ⑩ Display panel
- ⑪ **Speaker (monaural)**
The speaker does not have magnetic shielding. Do not put this unit near TVs, PCs or other equipment easily influenced by magnetism.

- ⑫ **Antenna**
Extend the antenna, adjust the length, angle and direction for best reception.

Signal strength indicator



- ⑬ Handle
- ⑭ **Headphones jack**



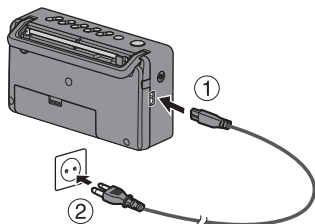
Plug type: Ø 3.5 mm stereo (not supplied)
 - Excessive sound pressure from earphones and headphones can cause hearing loss.
 - Listening at full volume for long periods may damage the user's ears.

- ⑮ AC IN terminal
- ⑯ Battery compartment

Power sources

Using the household mains socket

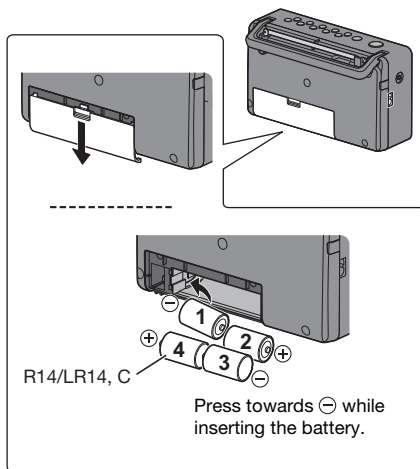
Connect the AC mains lead firmly to the unit and the household mains socket.



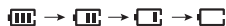
Note:

- Do not use an AC mains lead from other equipment.
- This unit consumes a small amount of power when it is in standby mode. Disconnect the power supply if you do not use the unit.

Using the batteries (not supplied)



Use alkaline or manganese batteries. Install the batteries so that the poles (+ and -) align with those in the unit. This unit will use the batteries as the power source when you disconnect the AC mains lead. The battery indicator will light up. The battery indicator shows the battery levels.



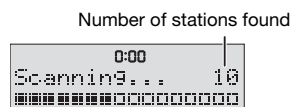
Note:

- The unit switches on after you insert the batteries.
- When the battery indicator "☐" begins flashing, replace all 4 of the batteries.
- After the battery indicator flashes for 10 seconds, the unit will switch off automatically.

Getting started

- 1 Extend the antenna.
- 2 Press [⏻/⏺] to switch on the unit.

The first time you switch on the unit, it will enter DAB mode and automatically scan for stations. It sets the time and date (if data is available) and starts playing the first station it finds.



Note:

In standby mode, the unit shows the time and date (only when the unit is powered by AC).

DAB

DAB (Digital Audio Broadcasting) is a procedure of broadcasting the radio digitally. It gives less interference and better sound quality.

This unit supports DAB in "BAND III" bands.

DAB operation

The first time you enter DAB mode, or if the station list is empty, the unit will start the full scan and memorise the stations.

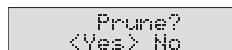
You can perform the full scan procedure when there is a new station or a station becomes available.

- 1 Press [BAND] to select "DAB".
- 2 Press [MENU] to select "Full scan" and then press [ENTER] to start full scan. To cancel, press [MENU].

Remove unavailable listed stations

This unit indicates those stations that are closed or no longer available with a question mark in front of the station name. You can remove these stations from the station list.

- 1 Press [MENU] and then turn [V TUNE/SELECT ^] to select "Prune".
- 2 Press [ENTER].
- 3 Turn [V TUNE/SELECT ^] to select "Yes" and then press [ENTER]. To cancel, select "No".




ENGLISH

Listening to a station

- 1 Turn [V TUNE/SELECT ^] to select a station from the station list.
- 2 Press [ENTER] to tune to the selected station.

Note:

“

Presetting stations

You can preset up to 10 stations into the direct preset buttons.

- 1 While listening to a station, press and hold the desired direct preset button ([1] to [10]).
Example: press and hold [2] to store current station into preset 2.



- 2 Press [ENTER] to preset the station.

Listening to a preset station

Press the direct preset button ([1] to [10]) to listen to the preset station.

Manual tuning

You can perform manual tuning to a particular channel or frequency. This can be useful when you are adjusting the antenna to achieve the best possible reception and scanning a particular channel to update the station list.

- 1 Press [MENU].
- 2 Turn [V TUNE/SELECT ^] to select “Manual tune” and then press [ENTER].
- 3 Turn [V TUNE/SELECT ^] to select a frequency or channel and then press [ENTER].
The display shows the received signal strength of the selected frequency. Adjust the antenna to achieve the best reception.



threshold indicator

Adjust the antenna so that the received signal strength (solid rectangles) exceeds the threshold indicator.

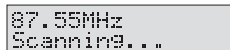
Viewing available information

You can view various information about the DAB broadcast such as dynamic label information (if available), signal strength, program type, ensemble name, channel number, bit rate, DAB variant and date.

Press [DISPLAY] to view available information.
Press and hold [DISPLAY] to show the default display.

FM radio

- 1 Press [BAND] to select “FM”.
- 2 Press [AUTOTUNE] to tune to a station.



The unit stops tuning when it finds a station. Press [AUTOTUNE] again to tune to the next station.

Manual tuning

Turn [V TUNE/SELECT ^] to tune to the required station.

Presetting stations

You can preset up to 10 stations into the direct preset buttons. The first five stations are preset with a default frequency for your convenience.

- 1 While listening to a station, press and hold the desired direct preset button ([1] to [10]).
- 2 Press [ENTER] to preset the station.

Listening to a preset station

Press the direct preset button ([1] to [10]) to listen to the preset station.

Viewing available information

You can view the information of the radio station such as RDS text (available in some areas), frequency and date.

Press [DISPLAY].

Note:
RDS may not be available if reception is poor.

System settings

To view the System menu

When in DAB mode

- 1 Press [MENU].
- 2 Turn [V TUNE/SELECT ^] to select "System" and then press [ENTER].

When in FM mode

Press [MENU].

To navigate around the menu

Turn [V TUNE/SELECT ^] to select an item or option. Press [ENTER] to confirm.

Example: Backlight setting displays



Indicates current setting

Alarm	<p>The Alarm Wizard is shown.</p> <ul style="list-style-type: none"> • Alarm: On, Off Select "On" to switch on the alarm. • On time: Set the hours and minutes of start time. • Source: Buzzer, DAB, FM Set the audio source. If FM or DAB is set, select the last station you tuned in to ("Last listened") or a preset station as the audio source. • Set the volume The alarm starts at a low volume and increases gradually to the preset level. "Ⓜ" is shown after you set the alarm. <p>Note:</p> <ul style="list-style-type: none"> • The alarm does not work when the unit is powered by batteries. • Check that the date and time are set correctly, or else the alarm may not work as desired. • The alarm will come on at the set time every day for a duration of 90 minutes. Press any button or turn any knob to stop the alarm. • You need to set the alarm again every time you disconnect and connect the AC power or after you remove the batteries.
Sleep	<p>The sleep timer switches off the unit after the set time (in minutes). Sleep Off, 30 minutes, 60 minutes, 90 minutes, 120 minutes "SLEEP" is shown.</p>
Equaliser	<p>Flat, Heavy, Soft, Clear, Vocal "EQ" is shown.</p>

Time	<p>The time and date information are updated automatically with the DAB/RDS broadcast (if available). You can also set the time and date manually with the Time menu. This is a 24 hour clock.</p> <ul style="list-style-type: none"> • Set time: Set the hours and minutes. • Set date: Set the day, month and year.
Backlight	<ul style="list-style-type: none"> • 10 sec: The backlight switches off after 10 seconds of inactivity. • On: The backlight is always on.
Language	<p>You can change the language for the display panel. English, Italiano, Deutsch, Français</p>
Factory Reset	<p>Yes, No Select "Yes" to reset the unit to factory default setting.</p>

Troubleshooting

General

Sound is distorted or no sound.

- Adjust the volume.
- Check and adjust the antenna.
- Move the unit to another location and do a full scan again.
- An AC mains lead or fluorescent light is near the cables. Keep other appliances and cords away from the cables of this unit.

Reception is poor or beat sound is heard.

- Keep the antenna away from computers, TVs, other cables and cords. Move mobile telephones away from the unit if the interference is apparent.

Messages

"Service not available"

- No DAB reception.

"No DAB station"

- No DAB station available.
- Check the antenna.
- Move the unit to another location and do a full scan again.

"Time Not saved"

- The changes made to the time was not saved, the changes will be lost.

"Alarm Not saved"

- The changes made to the alarm was not saved, the changes will be lost.

Specifications

Power supply
 AC AC 230 V, 50 Hz
 Battery DC 6 V (4 x R14/LR14, C)

Power consumption 7 W

Frequency range
 FM 87.50 MHz to 108.00 MHz (50 kHz steps)
 DAB/DAB+ BAND III
 5A to 13F (174.928 MHz to 239.200 MHz)

Terminal
 Headphones Stereo, 3.5 mm (16 Ω)

Speaker
 Full range 10 cm (4 Ω)

Output power 2 W (RMS 10% THD)

Battery life

Power source	Manganese R14 battery	Alkaline LR14 battery
FM	Approx. 9 H	Approx. 30 H
DAB/DAB+	Approx. 12 H	Approx. 40 H

Dimensions (W x H x D) 251 mm x 138 mm x 91 mm

Mass
 With batteries 1.3 kg
 Without batteries 1.0 kg


Operating temperature range 0°C to +40°C


Operating humidity range
 35% to 80% RH (no condensation)


Power consumption in standby mode 0.6 W (approximate)

Note:
 Specifications are subject to change without notice. Mass and dimensions are approximate.

Disposal of Old Equipment and Batteries Only for European Union and countries with recycling systems

 These symbols on the products, packaging, and/or accompanying documents mean that used electrical and electronic products and batteries must not be mixed with general household waste.

 For proper treatment, recovery and recycling of old products and used batteries, please take them to applicable collection points in accordance with your national legislation. By disposing of them correctly, you will help to save valuable resources and prevent any potential negative effects on human health and the environment. For more information about collection and recycling, please contact your local municipality. Penalties may be applicable for incorrect disposal of this waste, in accordance with national legislation.

 **Note for the battery symbol (bottom symbol):**
 This symbol might be used in combination with a chemical symbol. In this case it complies with the requirement set by the Directive for the chemical involved.

Sicherheitsmaßnahmen

WARNUNG!

Gerät

- Zur Reduzierung der Gefahr von Brand, elektrischem Schlag und Beschädigung:
 - Dieses Gerät sorgfältig vor Nässe, Feuchtigkeit, Spritz- und Tropfwasser schützen.
 - Blumenvasen und andere mit Flüssigkeiten gefüllte Behälter dürfen nicht auf dieses Gerät gestellt werden.
 - Ausschließlich das empfohlene Zubehör verwenden.
 - Auf keinen Fall die Abdeckung entfernen.
 - Versuchen Sie nie, dieses Gerät selbst zu reparieren. Reparaturarbeiten sind grundsätzlich dem Kundendienstpersonal zu überlassen.

Netzkabel

- Das Netzkabel ist das trennende Gerät. Installieren Sie dieses Gerät so, dass das Netzkabel sofort aus der Steckdose gezogen werden kann, wenn irgendwelche Probleme auftreten.

VORSICHT!

Gerät

- Dieses Gerät kann beim Betrieb Hochfrequenzstörungen auffangen, die von einem in der Nähe verwendeten Handy verursacht werden. Falls eine solche Störbeeinflussung festgestellt wird, sollte das Handy in größerer Entfernung von diesem Gerät betrieben werden.

Batterie

- Explosionsgefahr bei falschem Einlegen der Batterie. Nur mit einem vom Hersteller empfohlenen Typ ersetzen.
- Was die Entsorgung der Batterien betrifft, erfragen Sie bitte bei den örtlichen Behörden oder Ihrem Händler, welches die ordnungsgemäße Entsorgungsmethode ist.
- Niemals starker Wärme oder offenen Flammen aussetzen.
- Die Batterie(n) nicht über längere Zeit bei geschlossenen Türen und Fenstern in direktem Sonnenlicht im Auto liegen lassen.
- Die Batterie niemals zerlegen oder kurzschließen.
- Die Alkali- oder Mangan-Batterie niemals wieder aufladen.
- Niemals eine Batterie mit abgelöster Umhüllung benutzen.
- Nehmen Sie die Batterie heraus, wenn Sie das Gerät für längere Zeit nicht benutzen oder wenn das Gerät ausschließlich über Netzstrom betrieben wird. Bewahren Sie sie an einem kühlen, dunklen Ort auf.

Kleinteile

- Die Knöpfe (z. B. der [VOLUME]-Knopf) können sich lösen, wenn zu stark daran gezogen wird. Ziehen Sie Knöpfe nicht ab, um zu vermeiden, dass diese von Kindern verschluckt werden.

Inhaltsverzeichnis

Sicherheitsmaßnahmen	2
Mitgeliefertes Zubehör	2
Liste der Bedienelemente	3
Stromquellen	4
Erste Schritte	4
DAB	4
FM (UKW)-Radio	5
Systemeinstellungen	6
Fehlersuchanleitung	6
Technische Daten	7

Dieses Produkt ist mit der folgenden Software ausgerüstet.

- (1) Software, die auf unabhängige Weise von bzw. für die Panasonic Corporation entwickelt wurde,
- (2) Software, die Eigentum einer dritten Partei ist und für die die Panasonic Corporation eine Lizenz erworben hat und/oder
- (3) Open Source-Software

Die im Punkt (3) genannte Software, die KEINER GARANTIE unterliegt und für die auch weder MARKTFÄHIGKEIT noch EIGNUNG FÜR EINEN BESTIMMTEN ZWECK garantiert werden kann, wird in der Hoffnung bereitgestellt, dass sie sich als nützlich erweist. Siehe diesbezüglich auch die relevanten detaillierten Geschäftsbedingungen unten.

This software is copyright 2008 Simon Tatham.

Permission is hereby granted, free of charge, to any person obtaining a copy of this software and associated documentation files (the "Software"), to deal in the Software without restriction, including without limitation the rights to use, copy, modify, merge, publish, distribute, sublicense, and/or sell copies of the Software, and to permit persons to whom the Software is furnished to do so, subject to the following conditions:

The above copyright notice and this permission notice shall be included in all copies or substantial portions of the Software.

THE SOFTWARE IS PROVIDED "AS IS", WITHOUT WARRANTY OF ANY KIND, EXPRESS OR IMPLIED, INCLUDING BUT NOT LIMITED TO THE WARRANTIES OF MERCHANTABILITY, FITNESS FOR A PARTICULAR PURPOSE AND NONINFRINGEMENT. IN NO EVENT SHALL THE COPYRIGHT HOLDERS BE LIABLE FOR ANY CLAIM, DAMAGES OR OTHER LIABILITY, WHETHER IN AN ACTION OF CONTRACT, TORT OR OTHERWISE, ARISING FROM, OUT OF OR IN CONNECTION WITH THE SOFTWARE OR THE USE OR OTHER DEALINGS IN THE SOFTWARE.

Mitgeliefertes Zubehör

Kontrollieren Sie bitte das mitgelieferte Zubehör.

- 1 Netzkabel

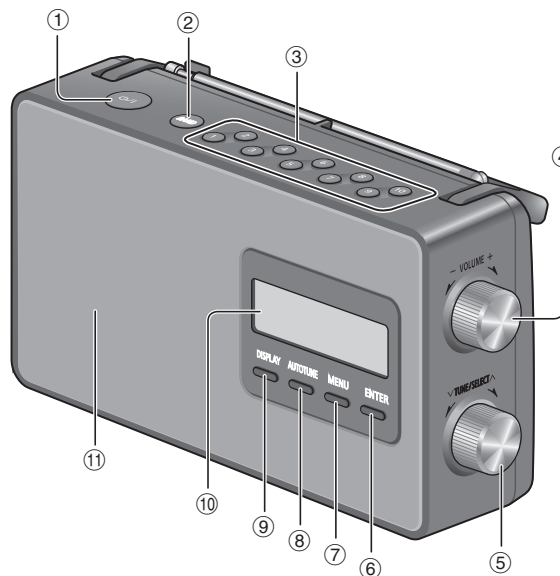
ROTND173

2

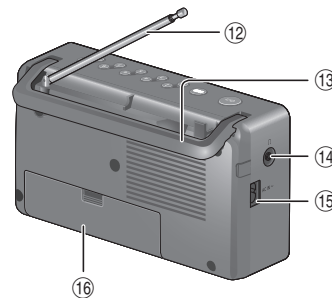
©

Liste der Bedienelemente

Vorderansicht



Rückansicht

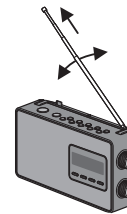
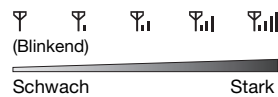


DEUTSCH

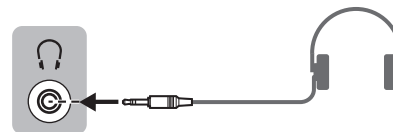
- ① **Bereitschafts-/Ein-Schalter** [⏻/⏻]
Mit diesem Schalter wird das Gerät aus der elektrischen Betriebsbereitschaft heraus eingeschaltet. Auch im Bereitschaftszustand nimmt das Gerät eine geringe Menge Strom auf.
- ② Wählen Sie FM (UKW) oder DAB-Radio
- ③ Direktvoreinstellungstasten
- ④ Lautstärke einstellen
- ⑤ Wählen Sie die gewünschte Frequenz per manueller Abstimmung
Verfügbare Optionen anzeigen
- ⑥ Bestätigen Sie die Option
- ⑦ Verfügbares Menü anzeigen
- ⑧ Automatische Abstimmungsfunktion für FM (UKW)-Sender
- ⑨ Verfügbare Informationen anzeigen
- ⑩ Anzeigebereich
- ⑪ **Lautsprecher (mono)**
Der Lautsprecher ist nicht mit einer magnetischen Abschirmung ausgestattet. Stellen Sie dieses Gerät daher nicht in der Nähe von Fernsehgeräten, PCs oder anderen Geräten auf, die für magnetische Einstrahlungen empfindlich sind.

- ⑫ **Antenne**
Verlängern Sie die Antenne und passen Sie Länge, Winkel und Richtung für einen optimalen Empfang an.

Signalstärke-Anzeiger



- ⑬ Griff
- ⑭ **Kopfhörerbuchse**



Steckerausführung: Ø 3,5 mm Stereostecker (nicht mitgeliefert)

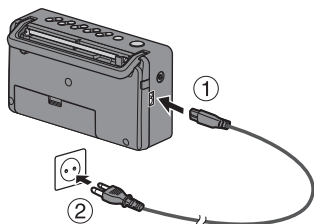
- Ein übermäßiger Schalldruckpegel von Ohr- und Kopfhörern kann Hörverlust verursachen.
- Ein Betrieb in voller Lautstärke über längere Zeit kann das Gehör schädigen.

- ⑮ AC IN-Anschluss
- ⑯ Batteriefach

Stromquellen

Anschluss an das Netzsteckdose

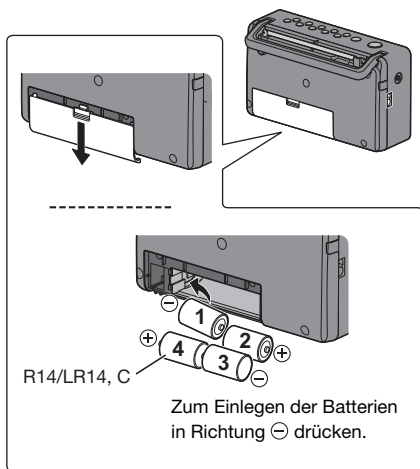
Verbinden Sie das Netzkabel fest mit dem Gerät und der Netzsteckdose.



Hinweis:

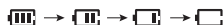
- Kein Netzkabel eines anderen Gerätes verwenden.
- Dieses Gerät verbraucht eine geringe Menge an Strom, wenn es sich im Standby-Modus befindet. Bei Nichtverwendung empfehlen wir, das Gerät von der Stromversorgung zu trennen.

Batteriebetrieb (nicht mitgeliefert)

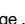


Benutzen Sie Alkali- oder Mangan-Batterien. Legen Sie die Batterien so ein, dass die Pole (+ und -) mit denen im Gerät übereinstimmen. Dieses Gerät verwendet als Stromquelle die Batterien, wenn Sie das Netzkabel abziehen. Die Batterieanzeige leuchtet auf.

Die Batterieanzeige zeigt die Akkukapazität an.



Hinweis:

- Das Gerät schaltet sich ein, nachdem Sie die Batterien eingelegt haben.
- Wenn die Batterieanzeige „“ zu blinken beginnt, alle 4 Batterien auswechseln.
- Nachdem die Batterieanzeige 10 Sekunden lang geblinkt hat, schaltet sich das Gerät automatisch aus.

Erste Schritte

- 1 Verlängern Sie die Antenne.
- 2 Drücken Sie [ON], um das Gerät einzuschalten.

Beim erstmaligen Einschalten des Geräts wechselt dieses in den DAB-Modus und scannt automatisch nach Sendern. Es stellt Zeit und Datum ein (sofern Daten verfügbar sind) und startet mit der Wiedergabe des ersten gefundenen Senders.

Siehe „Systemeinstellungen“ auf Seite 6. Gehen Sie zum Menü „Language“ (Sprache), um die Sprache für die Anzeige auf „Deutsch“ zu ändern.

Anzahl der gefundenen Sender



Hinweis:

Im Standby-Modus zeigt das Gerät Zeit und Datum an (nur wenn das Gerät über Netzstrom betrieben wird).

DAB

DAB (Digital Audio Broadcasting) ist ein Verfahren zur Ausstrahlung von Digital-Radio. Es ist weniger störanfällig und bietet eine bessere Tonqualität. Dieses Gerät unterstützt DAB in „BAND III“-Bändern.

DAB-Betrieb

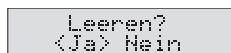
Beim erstmaligen Aufrufen des DAB-Modus, oder wenn die Senderliste leer ist, startet das Gerät den vollständigen Suchlauf und speichert die gefundenen Sender. Sie können den vollständigen Suchlauf ausführen, wenn ein neuer Sender hinzukommt bzw. ein neuer Sender verfügbar ist.

- 1 Drücken Sie [BAND] um „DAB“ auszuwählen.
- 2 Drücken Sie [MENU], um „Vollständiger Suchlauf“ auszuwählen, und dann [ENTER], um den vollständigen Suchlauf zu starten. Um die Funktion abzuschalten, [MENU] drücken.

Entfernen von nicht verfügbaren aufgeführten Sendern

Dieses Gerät zeigt Sender, die geschlossen wurden oder nicht mehr verfügbar sind, mit einem Fragezeichen vor dem Sendernamen an. Sie können diese Sender aus der Senderliste entfernen.


- 1 Drücken Sie [MENU] und drehen Sie dann [V TUNE/SELECT ^], um „Leeren“ auszuwählen.
- 2 Drücken Sie [ENTER].
- 3 Drücken Sie [V TUNE/SELECT ^], um „Ja“ auszuwählen, und drücken Sie dann [ENTER]. Um die Funktion abzuschalten, wählen Sie „Nein“.



Einen Sender hören

- 1 Drehen Sie [V TUNE/SELECT ^], um einen Sender aus der Senderliste auszuwählen.
- 2 Drücken Sie [ENTER], um den ausgewählten Sender einzustellen.

Hinweis:

„“ zeigt an, dass es sich um einen sekundären Servicesender handelt. Sekundäre Servicesender werden in der Senderliste immer neben dem entsprechenden Primärsender aufgeführt.

Voreinstellen von Sendern

Mithilfe der Direktvoreinstellungstasten können Sie bis zu 10 Sender speichern.

- 1 Halten Sie die gewünschte Direktvoreinstellungstaste ([1] bis [10]) gedrückt, während Sie einen Sender anhören.
Beispiel: Halten Sie [2] gedrückt, um den aktuellen Sender auf Speicherplatz 2 zu speichern.

Drücken Sie ENTE
Programm 2

- 2 Drücken Sie [ENTER], um den Sender zu speichern.


Anhören eines voreingestellten Senders

Drücken Sie die Direktvoreinstellungstaste ([1] bis [10]), um den gespeicherten Sender anzuhören.

Manuelle Abstimmung

Mithilfe der manuellen Abstimmung können Sie einen bestimmten Kanal bzw. eine Frequenz einstellen. Dies kann hilfreich sein, wenn Sie die Antenne einstellen, um den bestmöglichen Empfang zu erhalten, und wenn Sie nach einem bestimmten Kanal suchen, um die Senderliste zu aktualisieren.

- 1 Drücken Sie [MENU].
- 2 Drücken Sie [V TUNE/SELECT ^], um „Manuell einstellen“ auszuwählen, und drücken Sie dann [ENTER].
- 3 Drücken Sie [V TUNE/SELECT ^], um eine Frequenz oder einen Kanal auszuwählen, und drücken Sie dann [ENTER].
In der Anzeige wird die empfangene Signalstärke der ausgewählten Frequenz eingeblendet. Stellen Sie die Antenne ein, um den bestmöglichen Empfang zu erhalten.

5A 174.928MHz


Grenzwertanzeige

Stellen Sie die Antenne so ein, dass die empfangene Signalstärke (ausgefüllte Rechtecke) über der Grenzwertanzeige liegen.

Verfügbare Informationen anzeigen

Sie können verschiedene Informationen über den DAB-Sender einsehen, wie z. B. Dynamic Label-Daten (sofern verfügbar), Signalstärke, Programmtyp, Ensemblename, Kanalnummer, Bitrate, DAB-Variante und das Datum.

Drücken Sie [DISPLAY], um verfügbare Informationen anzuzeigen.

Halten Sie [DISPLAY] gedrückt, um die Standardanzeige einzublenden.

FM (UKW)-Radio

- 1 Drücken Sie [BAND] um „FM“ (UKW) auszuwählen.
- 2 Drücken Sie [AUTOTUNE], um einen Sender einzustellen.

87.55MHz
Suchlauf...

Das Gerät stoppt den Suchlauf, sobald ein Sender gefunden wurde.

Drücken Sie [AUTOTUNE] noch einmal, um den nächsten Sender einzustellen.

Manuelle Abstimmung

Drücken Sie [V TUNE/SELECT ^], um den gewünschten Sender einzustellen.

Voreinstellen von Sendern

Mithilfe der Direktvoreinstellungstasten können Sie bis zu 10 Sender speichern.

Die ersten fünf Sender sind für Sie mit Standardfrequenzen voreingestellt.

- 1 Halten Sie die gewünschte Direktvoreinstellungstaste ([1] bis [10]) gedrückt, während Sie einen Sender anhören.
- 2 Drücken Sie [ENTER], um den Sender zu speichern.

Anhören eines voreingestellten Senders

Drücken Sie die Direktvoreinstellungstaste ([1] bis [10]), um den gespeicherten Sender anzuhören.

Verfügbare Informationen anzeigen

Sie können die Informationen über den Radiosender ansehen, wie RDS-Text (in einigen Regionen verfügbar), Frequenz und Datum.

Drücken Sie [DISPLAY].

Hinweis:

Bei ungünstigen Empfangsbedingungen erscheinen u. U. keine RDS-Anzeigen.

Systemeinstellungen

Zur Anzeige des Systemmenüs

Im DAB-Modus

- 1 Drücken Sie [MENU].
- 2 Drücken Sie [V TUNE/SELECT ^], um „System“ auszuwählen, und drücken Sie dann [ENTER].

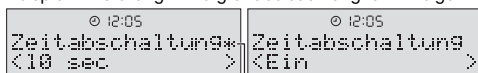
Im FM-Modus

Drücken Sie [MENU].

Zum Navigieren im Menü

Drehen Sie [V TUNE/SELECT ^], um einen Menüpunkt oder eine Option auszuwählen. Drücken Sie [ENTER], um zu bestätigen.

Beispiel: Einstellung Hintergrundbeleuchtung für Anzeigen



Zeigt die aktuelle Einstellung an

Wecker	<p>Der Wecker Assistent wird angezeigt.</p> <ul style="list-style-type: none"> • Wecker: Ein, Aus Wählen Sie „Ein“, um den Weckruf einzuschalten. • Zt. Ein: Stellen Sie Stunden und Minuten für die Startzeit ein. • Quelle: Summer, DAB, FM Stellen Sie die Audioquelle ein. Wenn Sie FM (UKW) oder DAB einstellen, wählen Sie den Sender, den Sie zuletzt gehört haben („Zuletzt gehört“), oder einen voreingestellten Sender als Audioquelle. • Stellen Sie die Lautstärke ein Der Weckruf beginnt mit einer niedrigen Lautstärke und wird sich nach und nach bis zum voreingestellten Pegel erhöhen. „☺“ wird angezeigt, nachdem Sie den Alarm eingestellt haben. <p>Hinweis:</p> <ul style="list-style-type: none"> • Der Weckruf funktioniert nicht, wenn das Gerät mit Batterien betrieben wird. • Überprüfen Sie, dass das Datum und die Uhrzeit richtig eingestellt sind, andernfalls wird der Alarm nicht wie gewünscht funktionieren. • Der Weckruf wird jeden Tag zur eingestellten Zeit und für eine Dauer von 90 Minuten aktiviert. Um den Weckruf zu stoppen, drücken Sie eine beliebige Taste oder drehen einen beliebigen Knopf. • Sie müssen den Alarm nach jedem Trennen von der Stromversorgung sowie nach einem Batteriewechsel erneut einstellen.
Sleep	<p>Der Einschlaf timer schaltet das Gerät nach der festgelegten Zeit (in Minuten) aus. Aus, 30 Minuten, 60 Minuten, 90 Minuten, 120 Minuten „SLEEP“ wird angezeigt.</p>
Equaliser	<p>Flach, Klangvoll, Weich, Klar, Gesang „EQ“ wird angezeigt.</p>

POTN0173
6
12

Uhrzeit	<p>Die Zeit- und Datumsinformationen werden über den DAB/RDS-Sender (sofern verfügbar) automatisch aktualisiert. Im Menü Zeit können Sie Zeit und Datum auch manuell einstellen. Dies ist eine 24-Stunden-Uhr.</p> <ul style="list-style-type: none"> • Zeit einstellen: Stellen Sie Stunden und Minuten ein. • Datum einstellen: Stellen Sie Tag, Monat und Jahr ein.
Beleuchtung	<ul style="list-style-type: none"> • 10 sec: Die Hintergrundbeleuchtung schaltet nach 10 Sekunden Inaktivität aus. • Ein: Die Hintergrundbeleuchtung ist immer aktiviert.
Sprache	<p>Sie können die Sprache für die Anzeige ändern. English, Italiano, Deutsch, Français</p>
Werkseinstellung	<p>Ja, Nein Wählen Sie „Ja“, um das Gerät in die Standard-Werkseinstellungen zurückzusetzen.</p>

Fehlersuchanleitung

Allgemeine Daten

Verzerrter bzw. kein Ton.

- Lautstärke einstellen.
- Prüfen Sie die Antenne und stellen Sie sie ein.
- Platzieren Sie das Gerät an einem anderen Standort und führen Sie erneut einen vollständigen Suchlauf aus.
- Das System befindet sich in der Nähe von Netzkabeln oder Leuchtstofflampen. Halten Sie andere Geräte und Kabel von den Kabeln dieses Geräts fern.

Empfang ist schlecht oder es sind Klopfgeräusche zu hören.

- Halten Sie die Antenne von Computern, Fernsehgeräten und anderen Kabeln fern. Wenn Interferenzen auftreten, entfernen Sie Mobiltelefone aus der Nähe des Gerätes.

Meldungen

„Dienst nicht verfügbar“

- Kein DAB-Empfang.

„Kein DAB-Sender“

- Kein DAB-Sender verfügbar.
- Prüfen Sie die Antenne.
- Platzieren Sie das Gerät an einem anderen Standort und führen Sie erneut einen vollständigen Suchlauf aus.

„Uhrzeit Nicht gesichert“

- Die Änderungen an der Zeit wurden nicht gespeichert und werden verloren gehen.

„Wecker nicht gespeichert“

- Die Änderungen am Weckruf wurden nicht gespeichert und werden verloren gehen.

Technische Daten

Stromversorgung	
AC	230 V Wechselstrom, 50 Hz
Batterie	6 V Gleichstrom (4 x R14/LR14, C)
Leistungsaufnahme 7 W	
Frequenzbereich	
FM (UKW)	87,50 MHz bis 108,00 MHz (50-kHz-Schritte)
DAB/DAB+ BAND III	5A bis 13F (174,928 MHz bis 239,200 MHz)
Anschluss	
Kopfhörer	Stereo, 3,5 mm (16 Ω)
Lautsprecher	
Gesamter Bereich	10 cm (4 Ω)
Ausgangsleistung 2 W (RMS 10% THD)	
Batterie-Lebensdauer	

Stromquelle	Mangan-Batterie R14	Alkali-Batterie LR14
FM	Ca. 9 Stunden	Ca. 30 Stunden
DAB/DAB+	Ca. 12 Stunden	Ca. 40 Stunden

Abmessungen (B x H x T)	251 mm x 138 mm x 91 mm
Masse	
Mit Batterien	1,3 kg
Ohne Batterien	1,0 kg
Betriebstemperaturbereich	0°C bis +40°C
Betriebsluftfeuchtigkeitsbereich	35% bis 80% rel. Feuchte (ohne Kondensatbildung)

Leistungsaufnahme im Bereitschaftszustand	0,6 W (ca.)
--	-------------

Hinweis:
 Änderungen der technischen Daten sind jederzeit vorbehalten.
 Die angegebenen Masse- und Abmessungsdaten sind ungefähre Werte.

Entsorgung von veralteten Geräten und benutzten Batterien Nur für EU und Länder mit Recycling-Systemen



Diese Symbole auf den Produkten, Verpackungen und/oder Begleiddokumenten bedeuten, dass benutzte elektrische und elektronische Produkte und Batterien nicht in den allgemeinen Hausmüll gegeben werden dürfen.

Bitte bringen Sie diese alten Produkte und Batterien zur Behandlung, Aufarbeitung bzw. zum Recycling gemäß Ihrer Landesgesetzgebung zu Ihren zuständigen Sammelpunkten.

Indem Sie sie ordnungsgemäß entsorgen, helfen Sie dabei, wertvolle Ressourcen zu schützen und eventuelle negative Auswirkungen auf die menschliche Gesundheit und die Umwelt zu vermeiden.

Wenn Sie ausführlichere Informationen zur Sammlung und zum Recycling wünschen, wenden Sie sich bitte an Ihre örtlichen Verwaltungsbehörden.

Gemäß Landesvorschriften können wegen nicht ordnungsgemäßer Entsorgung dieses Abfalls Strafgebühren verhängt werden.



Hinweis zum Batteriesymbol (unteres Symbol):

Dieses Symbol kann in Kombination mit einem chemischen Symbol verwendet werden. In diesem Fall erfüllt es die Anforderungen derjenigen Richtlinie, die für die betreffende Chemikalie erlassen wurde.

DEUTSCH

Precauzioni per la sicurezza

AVVERTENZA!

Unità

- Per ridurre il rischio d'incendio, scosse elettriche o danni al prodotto,
 - Non esporlo alla pioggia, umidità, gocciolamenti o spruzzi.
 - Evitare di mettervi sopra oggetti pieni di liquidi, come vasi.
 - Usare soltanto gli accessori consigliati.
 - Non aprire i coperchi.
 - Non tentare di riparare questa unità da soli. Per le riparazioni, rivolgersi al personale di assistenza qualificato.

Cavo di alimentazione CA

- La spina di alimentazione è il dispositivo di interruzione. Installare questa unità in modo che la spina di alimentazione possa essere scollegata immediatamente dalla presa di corrente.

ATTENZIONE!

Unità

- Durante l'uso, questa unità potrebbe essere soggetta alle interferenze radio causate dal cellulare. Se si dovesse verificare tale interferenza, aumentare la distanza tra questa unità e il cellulare.

Batteria

- Se la batteria non è sostituita correttamente, potrebbe verificarsi un'esplosione. Per la sostituzione utilizzare solo batterie di tipo consigliato dal produttore.
- Durante lo smaltimento delle batterie, vi preghiamo di contattare le autorità locali od il rivenditore ed informarvi sulle modalità per un corretto smaltimento.
- Non riscaldare o esporre alle fiamme.
- Non lasciare la (le) batteria(e) in un'automobile esposta alla luce diretta del sole e con sportelli e finestrini chiusi per un periodo di tempo prolungato.
- Non smontare o cortocircuitare la batteria.
- Non caricare la batteria alcalina o al manganese.
- Non usare la batteria se il coperchio è stato rimosso.
- Rimuovere la batteria se non si usa l'unità per un periodo di tempo prolungato o se l'unità deve essere alimentata solo da alimentazione CA. Conservare in un luogo fresco e al buio.

Piccoli oggetti

- Le manopole (ad esempio, la manopola [VOLUME]) possono fuoriuscire se tirate con forza. Per evitare che i bambini ingeriscano la manopola, non estrarla.

Accessori in dotazione

Controllare e identificare gli accessori in dotazione.

- 1 Cavo di alimentazione CA

Indice

Precauzioni per la sicurezza	2
Accessori in dotazione	2
Panoramica dei comandi	3
Fonti di alimentazione	4
Per iniziare	4
DAB	4
Radio FM	5
Impostazioni di sistema	6
Risoluzione dei problemi	6
Dati tecnici	7

Questo prodotto dispone del seguente software integrato:

- (1) Il software sviluppato in modo indipendente da o per Panasonic Corporation,
- (2) Il software di proprietà di terzi e concesso in licenza a Panasonic Corporation, e/o
- (3) Software open source

Il software classificato come (3) è distribuito nella speranza che sia utile, ma **SENZA ALCUNA GARANZIA**, neppure la garanzia implicita di **COMMERCIALIZZABILITÀ** o **IDONEITÀ PER UN PARTICOLARE SCOPO**. Consultare i termini e le condizioni riportati di seguito nei dettagli.

This software is copyright 2008 Simon Tatham.

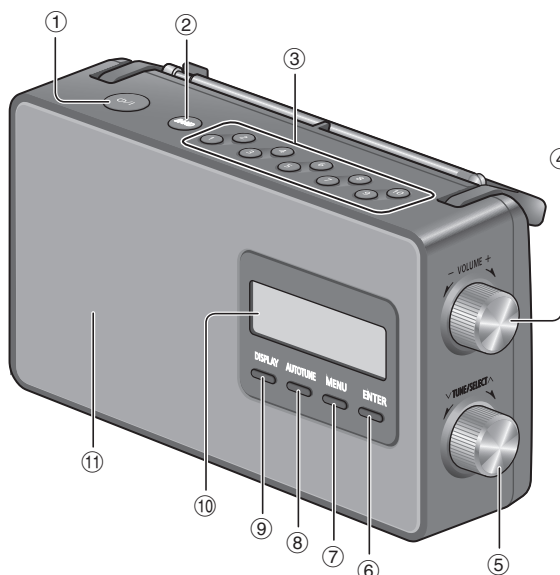
Permission is hereby granted, free of charge, to any person obtaining a copy of this software and associated documentation files (the "Software"), to deal in the Software without restriction, including without limitation the rights to use, copy, modify, merge, publish, distribute, sublicense, and/or sell copies of the Software, and to permit persons to whom the Software is furnished to do so, subject to the following conditions:

The above copyright notice and this permission notice shall be included in all copies or substantial portions of the Software.

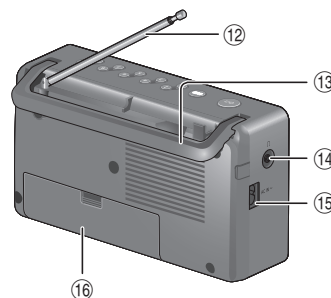
THE SOFTWARE IS PROVIDED "AS IS", WITHOUT WARRANTY OF ANY KIND, EXPRESS OR IMPLIED, INCLUDING BUT NOT LIMITED TO THE WARRANTIES OF MERCHANTABILITY, FITNESS FOR A PARTICULAR PURPOSE AND NONINFRINGEMENT. IN NO EVENT SHALL THE COPYRIGHT HOLDERS BE LIABLE FOR ANY CLAIM, DAMAGES OR OTHER LIABILITY, WHETHER IN AN ACTION OF CONTRACT, TORT OR OTHERWISE, ARISING FROM, OUT OF OR IN CONNECTION WITH THE SOFTWARE OR THE USE OR OTHER DEALINGS IN THE SOFTWARE.

Panoramica dei comandi

Vista frontale



Vista posteriore

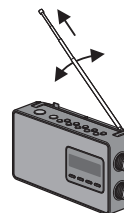
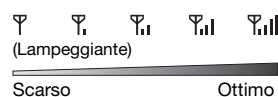


ITALIANO

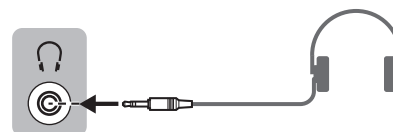
- ① **Interruttore di attesa/accensione** [⏻/⏻]
Premerlo per disporre l'apparecchio nella modalità di attesa o per accenderlo. Durante la modalità di attesa, l'apparecchio continua a consumare una piccola quantità di corrente.
- ② Selezionare radio FM o DAB
- ③ Pulsanti di preselezione diretta
- ④ Regolare il volume
- ⑤ Selezionare la frequenza desiderata in sintonizzazione manuale
Visualizzare le opzioni disponibili
- ⑥ Confermare un'opzione
- ⑦ Visualizzare il menu disponibile
- ⑧ Sintonizzazione automatica delle stazioni FM
- ⑨ Visualizzare le informazioni disponibili
- ⑩ Pannello del display
- ⑪ **Diffusore (mono)**
Il diffusore non ha la schermatura magnetica. Non posizionare l'unità accanto a televisori, PC o altri apparecchi facilmente influenzati dal magnetismo.

- ⑫ **Antenna**
Estende l'antenna, regolare lunghezza, angolo e direzione per una ricezione ottimale.

Indicatore di intensità del segnale



- ⑬ Maniglia
- ⑭ **Presca cuffie**



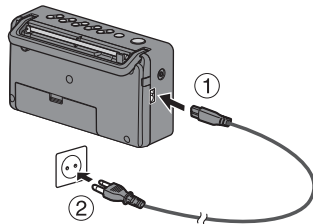
Tipo di spina: Ø 3,5 mm stereo (non fornita)
 - Una pressione sonora eccessiva negli auricolari e nelle cuffie potrebbe causare perdite dell'udito.
 - L'ascolto a pieno volume per lunghi periodi può danneggiare l'udito dell'utente.

- ⑮ Terminale AC IN
- ⑯ Vano batterie

Fonti di alimentazione

Uso della presa di corrente domestica

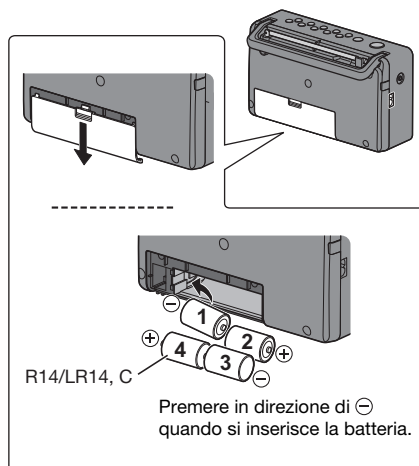
Collegare firmamente il cavo di alimentazione CA all'unità e alla presa di corrente domestica.



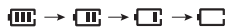
Nota:

- Non usare un cavo di alimentazione CA di altri apparecchi.
- Questa unità consuma poca corrente in modalità di attesa. Scollegare l'alimentazione se non si utilizza l'unità.

Uso delle batterie (non fornite)



Usare batterie alcaline o al manganese. Installare le batterie in modo che le polarità (+ e -) siano allineate con quelle dell'unità. L'unità utilizza le batterie come fonte di alimentazione quando si scollega il cavo di alimentazione CA. L'indicatore delle batterie si accende. L'indicatore delle batterie mostra il livello di carica delle batterie.



Nota:

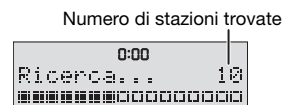
- L'unità si accende quando si inseriscono le batterie.
- Quando l'indicatore delle batterie "☐" comincia a lampeggiare, sostituire tutte le 4 batterie.
- Dopo che l'indicatore delle batterie lampeggia per 10 secondi, l'unità si spegne automaticamente.

Per iniziare

- 1 Allungare l'antenna.
- 2 Premere [⏻] per accendere l'unità.

La prima volta che si accende l'unità, entra in modalità DAB e ricerca automaticamente stazioni. Imposta l'ora e la data (se la data è disponibile) e inizia a riprodurre la prima stazione che trova.

Fare riferimento a "Impostazioni di sistema" a pagina 6. Accedere al menu "Language" (Lingua) per cambiare la lingua del pannello del display in "Italiano".



Nota:

In modalità di attesa, l'unità mostra l'ora e la data (solamente quando l'unità è alimentata da corrente CA).

DAB

DAB (Digital Audio Broadcasting) è una procedura di trasmissione digitale della radio. Garantisce meno interferenze e una migliore qualità audio. Questa unità supporta bande DAB in "BAND III".

Funzionamento DAB

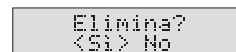
La prima volta che si entra in modalità DAB, oppure se l'elenco delle stazioni è vuoto, l'unità avvia la ricerca completa e memorizza le stazioni. È possibile effettuare una procedura di ricerca completa quando si trova una nuova stazione o si rende disponibile una stazione.

- 1 Premere [BAND] per selezionare "DAB".
- 2 Premere [MENU] per selezionare "Ricerca completa", quindi premere [ENTER] per avviare la ricerca completa. Per annullare, premere [MENU].

Rimuovere le stazioni elencate non disponibili

L'unità indica le stazioni chiuse o non più disponibili con un punto interrogativo davanti al nome della stazione. È possibile rimuovere queste stazioni dall'elenco.

- 1 Premere [MENU], quindi girare [V TUNE/SELECT ^] per selezionare "Elimina".
- 2 Premere [ENTER].
- 3 Girare [V TUNE/SELECT ^] per selezionare "Sì", quindi premere [ENTER]. Per annullare, selezionare "No".



Impostazioni di sistema

Per visualizzare il menu System

In modalità DAB

- 1 Premere [MENU].
- 2 Girare [V TUNE/SELECT ^] per selezionare "Sistema", quindi premere [ENTER].

In modalità FM

Premere [MENU].

Per navigare tra i menu

Girare [V TUNE/SELECT ^] per selezionare una voce o un'opzione. Premere [ENTER] per confermare.

Esempio: Display di impostazione della retroilluminazione



Indica l'impostazione attuale

Sveglia	<p>Viene visualizzato Alarm Impost. guidata.</p> <ul style="list-style-type: none"> • Sveglia: On, Off Selezionare "On" per accendere la sveglia. • In orario: Impostare ore e minuti dell'ora di inizio. • Fonte: Buzzer, DAB, FM Impostare la sorgente audio. Se si imposta FM o DAB, selezionare l'ultima stazione su cui ci si è sintonizzati ("Ultimo ascolto") o una stazione preselezionata come sorgente audio. • Impostare il volume La sveglia si avvia a basso volume e aumenta gradualmente fino al livello preimpostato. <p>"O" viene visualizzato dopo aver impostato la sveglia.</p> <p>Nota:</p> <ul style="list-style-type: none"> • La sveglia non funziona se l'unità viene alimentata da batterie. • Verificare di aver impostato correttamente la data e l'ora. In caso contrario, la sveglia potrebbe non funzionare come desiderato. • La sveglia si attiva all'ora impostata per una durata di 90 minuti. Premere un pulsante o ruotare la manopola per arrestare la sveglia. • È necessario impostare di nuovo l'allarme ogni volta che si disconnette o connette l'alimentazione CA o dopo aver sostituito le batterie.
Sleep	<p>Il timer di sospensione spegne l'unità una volta trascorso il tempo impostato (in minuti).</p> <p>OFF, 30 Minuti, 60 Minuti, 90 Minuti, 120 Minuti</p> <p>Viene visualizzato "SLEEP".</p>
Equalizzatore	<p>Piatto, Intenso, Morbido, Pulito, Vocale</p> <p>Viene visualizzato "EQ".</p>

Orario	<p>Le informazioni relative a ora e data vengono aggiornate automaticamente con la trasmissione DAB/RDS (se disponibile). È inoltre possibile impostare manualmente ora e data con il menu Time.</p> <p>Questo è un orologio con formato a 24 ore.</p> <ul style="list-style-type: none"> • Impost. orario: Imposta le ore e i minuti. • Impost. data: Imposta giorno, mese e anno.
Retroilluminazione	<ul style="list-style-type: none"> • 10 sec: La retroilluminazione si spegne dopo 10 secondi di inattività. • On: La retroilluminazione è sempre accesa.
Lingua	<p>È possibile modificare la lingua per il pannello del display.</p> <p>English, Italiano, Deutsch, Français</p>
Ripristino valori di default	<p>Sì, No</p> <p>Selezionare "Sì" per ripristinare le impostazioni predefinite dell'unità.</p>

Risoluzione dei problemi

Dati generali

Suono distorto o nessun suono.

- Regolare il volume.
- Controllare e regolare l'antenna.
- Spostare l'unità in un altro luogo ed effettuare di nuovo la ricerca completa.
- Cavo di alimentazione CA o lampada a fluorescenza vicini ai cavi. Tenere gli altri apparecchi e cavi lontano dai cavi di questa unità.

La ricezione è scarsa o si sentono dei rumori tipo battiti.

- Allontanare l'antenna da computer, TV e altri cavi.
- Allontanare i telefoni cellulari dall'unità in caso di interferenza.

Messaggi

"Servizio non disp."

- Nessuna ricezione DAB.

"Ness. staz. DAB"

- Nessuna stazione DAB disponibile.
- Controllare l'antenna.
- Spostare l'unità in un altro luogo ed effettuare di nuovo la ricerca completa.

"Orario non memorizzato"

- Le modifiche apportate all'ora non sono state salvate e andranno perse.

"Sveglia non memorizzato"

- Le modifiche apportate alla sveglia non sono state salvate e andranno perse.

Dati tecnici

Alimentazione

CA CA 230 V, 50 Hz

Batteria CC 6 V (4 x R14/LR14, C)

Consumo di corrente 7 W

Gamma di frequenza

FM Da 87,50 MHz a 108,00 MHz (intervalli da 50 kHz)

DAB/DAB+ BAND III Da 5A a 13F (174,928 MHz a 239,200 MHz)

Terminale

Cuffie Stereo, 3,5 mm (16 Ω)

Diffusore

Gamma completa 10 cm (4 Ω)

Potenza d'uscita

2 W
(RMS 10% distorsione armonica totale)

Durata batteria

Fonti di alimentazione	Batteria R14 al manganese	Batteria LR14 alcalina
FM	Circa 9 ore	Circa 30 ore
DAB/DAB+	Circa 12 ore	Circa 40 ore

Dimensioni (L x A x P) 251 mm x 138 mm x 91 mm

Peso

Con batterie 1,3 kg

Senza batterie 1,0 kg

Intervallo di temperatura durante il funzionamento

Da 0°C a +40°C

Intervallo di umidità durante il funzionamento

Dal 35% all'80% di umidità relativa (senza condensa)

Consumo di corrente nella modalità di attesa
0,6 W (circa)

Nota:

I dati tecnici sono soggetti a modifiche senza preavviso. Il peso e le dimensioni indicati sono approssimativi.

Smaltimento di vecchie apparecchiature e batterie Solo per l'Unione Europea e Paesi con sistema di riciclaggio



Questi simboli sui prodotti, sull'imballaggio, e/o sulle documentazioni o manuali accompagnanti i prodotti indicano che i prodotti elettrici, elettronici e le batterie usate non devono essere buttati nei rifiuti domestici generici.

Per un trattamento adeguato, recupero e riciclaggio di vecchi prodotti e batterie usate, vi preghiamo di portarli negli appositi punti di raccolta, secondo la legislazione vigente nel vostro Paese.

Smaltendoli correttamente, contribuirete a salvare importanti risorse e ad evitare i potenziali effetti negativi sulla salute umana e sull'ambiente.

Per ulteriori informazioni sulla raccolta e sul riciclaggio, vi preghiamo di contattare il vostro comune.

Sono previste e potrebbero essere applicate sanzioni qualora questi rifiuti non siano stati smaltiti in modo corretto ed in accordo con la legislazione nazionale.



Nota per il simbolo delle batterie (simbolo sotto):

Questo simbolo può essere usato in combinazione con un simbolo chimico; In questo caso è conforme ai requisiti indicati dalla Direttiva per il prodotto chimico in questione.

ITALIANO

Précautions de sécurité

AVERTISSEMENT !

Appareil

- Pour réduire les risques d'incendie, d'électrocution ou de dommages au produit :
 - Ne pas exposer cet appareil à la pluie, à l'humidité, à la chute de gouttes ou à des éclaboussures.
 - Ne placer aucun récipient contenant un liquide, tel qu'un vase, sur l'appareil.
 - N'utiliser que les accessoires recommandés.
 - Ne pas retirer les couvercles.
 - Ne pas réparer cet appareil soi-même. Pour toute intervention, faire appel à un technicien qualifié.

Cordon d'alimentation secteur

- La fiche d'alimentation est ce qui permet de déconnecter l'appareil. Installer cet appareil de telle sorte que la fiche d'alimentation puisse être débranchée immédiatement de la prise de courant.

ATTENTION !

Appareil

- Cet appareil peut être perturbé par les ondes radio des téléphones mobiles pendant l'utilisation. Si vous constatez de telles interférences, éloignez le téléphone mobile de l'appareil.

Pile

- L'utilisation d'une pile de rechange incorrecte peut entraîner des risques d'explosion. N'utiliser qu'une pile identique ou le type de pile recommandé par le fabricant.
- Lors de la mise au rebut des piles, contacter les autorités locales ou le revendeur pour connaître la méthode de mise au rebut appropriée.
- Ne pas chauffer ni exposer à une flamme.
- Ne pas laisser la/les pile(s) dans un véhicule exposé à la lumière directe du soleil, portes et vitres fermées pendant une longue période.
- Ne pas démonter ou court-circuiter les piles.
- Ne pas charger la pile alcaline ou au manganèse.
- Ne pas utiliser de piles dont l'enveloppe a été retirée.
- Retirer les piles l'appareil est inutilisé pendant une longue période ou si l'appareil est exclusivement alimenté par alimentation secteur. Ranger dans un endroit frais et sombre.

Petits objets

- Les boutons (par ex. le bouton [VOLUME]) peuvent sortir de leur logement si on les arrache. Pour éviter aux enfants d'avaler le bouton, ne l'arrachez pas.

Accessoires fournis

Vérifier que tous les accessoires fournis sont présents.

- 1 Cordon d'alimentation secteur

Table des matières

Précautions de sécurité	2
Accessoires fournis	2
Présentation des commandes	3
Sources d'alimentation	4
Démarrage	4
DAB	4
Radio FM	5
Réglages système	6
Guide de dépannage	6
Spécifications	7

Ce produit intègre le logiciel suivant :

- (1) Le logiciel développé indépendamment par ou pour Panasonic Corporation,
- (2) Le logiciel détenu par un tiers et sous licence de Panasonic Corporation, et/ou
- (3) Logiciel Open source

Le logiciel catégorisé en tant que (3) est distribué dans l'espoir qu'il sera utile, mais SANS AUCUNE GARANTIE, sans même garantie implicite de COMMERCIALISABILITÉ ou d'ADÉQUATION À UN OBJECTIF PARTICULIER. Veuillez vous référer aux modalités et conditions détaillées ci-dessous.

This software is copyright 2008 Simon Tatham.

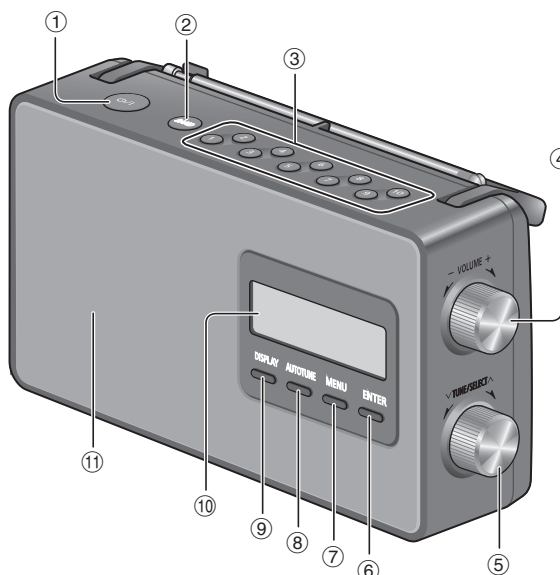
Permission is hereby granted, free of charge, to any person obtaining a copy of this software and associated documentation files (the "Software"), to deal in the Software without restriction, including without limitation the rights to use, copy, modify, merge, publish, distribute, sublicense, and/or sell copies of the Software, and to permit persons to whom the Software is furnished to do so, subject to the following conditions:

The above copyright notice and this permission notice shall be included in all copies or substantial portions of the Software.

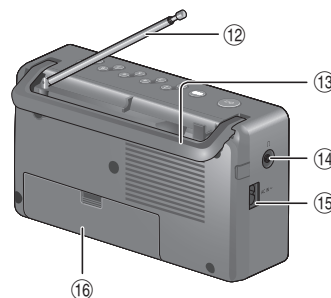
THE SOFTWARE IS PROVIDED "AS IS", WITHOUT WARRANTY OF ANY KIND, EXPRESS OR IMPLIED, INCLUDING BUT NOT LIMITED TO THE WARRANTIES OF MERCHANTABILITY, FITNESS FOR A PARTICULAR PURPOSE AND NONINFRINGEMENT. IN NO EVENT SHALL THE COPYRIGHT HOLDERS BE LIABLE FOR ANY CLAIM, DAMAGES OR OTHER LIABILITY, WHETHER IN AN ACTION OF CONTRACT, TORT OR OTHERWISE, ARISING FROM, OUT OF OR IN CONNECTION WITH THE SOFTWARE OR THE USE OR OTHER DEALINGS IN THE SOFTWARE.

Présentation des commandes

Vue de face



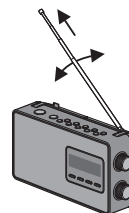
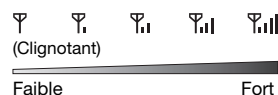
Vue arrière



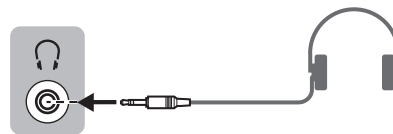
- ① **Interrupteur de veille/marche [ON/OFF]**
Appuyer sur cet interrupteur pour faire basculer l'appareil du mode de marche au mode de veille, et vice versa. En mode de veille, l'appareil continue de consommer une petite quantité de courant.
- ② Sélectionner la radio FM ou DAB
- ③ Touches de pré-réglage directes
- ④ Régler le volume
- ⑤ Sélectionner la fréquence souhaitée en réglage manuel
Voir les options disponibles
- ⑥ Confirmer une option
- ⑦ Voir le menu disponible
- ⑧ Syntonisation automatique des stations FM
- ⑨ Voir les informations disponibles
- ⑩ Afficheur
- ⑪ **Enceinte (mono)**
L'enceinte n'a pas de blindage magnétique. Ne pas placer cet appareil près de téléviseurs, d'ordinateurs ou d'autres appareils facilement influencés par le magnétisme.

- ⑫ **Antenne**
Allonger l'antenne, ajuster la longueur, l'angle et l'orientation pour obtenir la meilleure réception possible.

Indicateur de force du signal



- ⑬ Poignée
- ⑭ **Prise pour casque**



Type de fiche : Ø 3,5 mm stéréo (non fournie)
 – Une pression excessive du son provenant des écouteurs et haut parleurs peut entraîner une perte de l'ouïe.
 – A pleine puissance, l'écoute prolongée du baladeur peut endommager l'oreille de l'utilisateur.

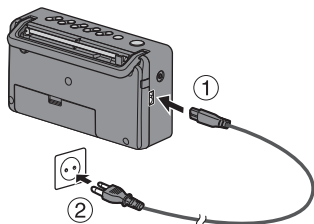
- ⑮ Borne AC IN
- ⑯ Logement pour les piles

FRANÇAIS

Sources d'alimentation

Utilisation des prises secteur domestique

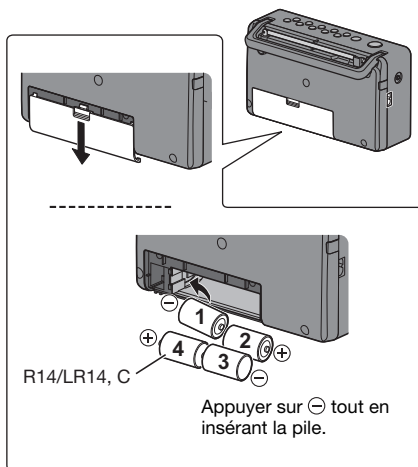
Raccorder fermement le cordon d'alimentation secteur à l'appareil et à la prise secteur domestique.



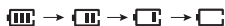
Remarque :

- Ne pas utiliser le cordon d'alimentation secteur d'un autre appareil.
- L'appareil consomme une petite quantité d'électricité quand il est en mode veille. Débrancher l'alimentation si vous n'utilisez pas l'appareil.

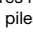
Utilisation des piles (non fournies)



Utiliser des piles alcalines ou au manganèse. Installer les piles de sorte que les pôles (+ et -) soient alignés avec ceux de l'appareil. Cet appareil utilisera les piles comme source d'alimentation si le cordon d'alimentation secteur sera débranché. Le voyant des piles s'allume alors. Le voyant des piles montre les niveaux des piles.



Remarque :

- L'appareil s'allume après l'insertion des piles.
- Lorsque le voyant des piles «  » se met à clignoter, remplacer les 4 piles.
- Le voyant des piles clignote pendant 10 secondes, puis l'appareil s'éteint automatiquement.

RF01N0173
4
22

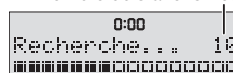
Démarrage

- 1 Allonger l'antenne.
- 2 Appuyer sur [ON] pour mettre l'appareil sous tension.

À la première mise en route, l'appareil entre en mode DAB et balaye automatiquement les stations. Il règle l'heure et la date (si les données sont disponibles) et commence à diffuser la première station trouvée.

Se référer à « Réglages système » en page 6. Accéder au menu « Language » (Langue) pour changer la langue du panneau d'affichage en « Français ».

Nombre de stations trouvées



Remarque :

En mode de veille, l'appareil affiche la date et l'heure (seulement lorsque l'appareil est alimenté par le secteur).

DAB

DAB (Digital Audio Broadcasting) est un protocole numérique de diffusion radio. Il génère moins d'interférences et offre une meilleure qualité sonore. Cet appareil prend en charge le DAB dans les bandes « BAND III ».

Fonctionnement DAB

À la première entrée en mode DAB, ou si la liste des stations est vide, l'appareil lance le balayage complet et mémorise les stations.

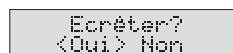
Il est possible d'exécuter la procédure de balayage complète lorsqu'une nouvelle station ou une station devient disponible.

- 1 Appuyer sur [BAND] pour sélectionner « DAB ».
- 2 Appuyer sur [MENU] pour sélectionner « Recherche totale » et appuyer sur [ENTER] pour lancer le balayage complet. Pour annuler, appuyer sur [MENU].

Supprimer les stations répertoriées indisponibles

Cet appareil indique que ces stations sont fermées ou plus disponibles en ajoutant un point d'interrogation devant le nom de la station. Ces stations peuvent être supprimées de la liste des stations.


- 1 Appuyer sur [MENU] puis tourner le bouton [V TUNE/SELECT ^] pour sélectionner « Ecrêter ».
- 2 Appuyer sur [ENTER].
- 3 Tourner le bouton [V TUNE/SELECT ^] pour sélectionner « Oui » puis appuyer sur [ENTER]. Pour annuler, sélectionner « Non ».



Écouter une station

- 1 Tourner le bouton [V TUNE/SELECT ^] pour sélectionner une station dans la liste des stations.
- 2 Appuyer sur [ENTER] pour syntoniser la station sélectionnée.

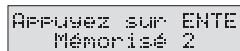
Remarque :

«  » indique une station de service secondaire. Les stations de service secondaires sont toujours placées après leur station primaire dans la liste des stations.

Préréglage des stations

Il est possible de préréglager jusqu'à 10 stations dans les touches de préréglage directes.

- 1 Pendant l'écoute d'une station, maintenir la touche de préréglage directe souhaitée enfoncée ([1] à [10]).
Exemple : maintenir [2] enfoncé pour mémoriser la station en cours dans le préréglage 2.



- 2 Appuyer sur [ENTER] pour préréglager la station.

Écouter une station préréglée

Appuyer sur la touche de préréglage directe ([1] à [10]) pour écouter la station préréglée.

Réglage manuel

Il est possible de syntoniser manuellement un canal ou une fréquence en particulier. Ceci peut être utile pendant l'ajustement de l'antenne pour obtenir la meilleure réception possible et pendant le balayage d'un canal en particulier pour mettre à jour la liste des stations.

- 1 Appuyer sur [MENU].
- 2 Tourner le bouton [V TUNE/SELECT ^] pour sélectionner « Réglage manuel » puis appuyer sur [ENTER].
- 3 Tourner le bouton [V TUNE/SELECT ^] pour sélectionner une fréquence ou un canal puis appuyer sur [ENTER].
L'écran affiche la force du signal reçu pour la fréquence sélectionnée. Ajuster l'antenne pour obtenir la meilleure réception possible.



Indicateur de seuil

Ajuster l'antenne de manière à ce que la force du signal reçu (rectangles pleins) dépasse l'indicateur de seuil.

Affichage des informations disponibles

Il est possible de voir diverses informations sur la diffusion DAB, telles que les informations d'étiquette dynamiques (si disponibles), la force du signal, le type de programme, le nom du groupe, le numéro du canal, le débit binaire, la variante DAB et la date.

Appuyer sur [DISPLAY] pour voir les informations disponibles.

Maintenir la touche [DISPLAY] enfoncée pour afficher l'écran par défaut.

Radio FM

- 1 Appuyer sur [BAND] pour sélectionner « FM ».
- 2 Appuyer sur [AUTOTUNE] pour syntoniser une station.



L'appareil arrête la syntonisation dès qu'il trouve une station.

Appuyer de nouveau sur [AUTOTUNE] pour syntoniser la station suivante.

Réglage manuel

Tourner le bouton [V TUNE/SELECT ^] pour syntoniser la station souhaitée.

Préréglage des stations

Il est possible de préréglager jusqu'à 10 stations dans les touches de préréglage directes.

Pour vous faciliter la tâche, les cinq premières stations sont préréglées sur une fréquence par défaut.

- 1 Pendant l'écoute d'une station, maintenir la touche de préréglage directe souhaitée enfoncée ([1] à [10]).
- 2 Appuyer sur [ENTER] pour préréglager la station.

Écouter une station préréglée

Appuyer sur la touche de préréglage directe ([1] à [10]) pour écouter la station préréglée.

Affichage des informations disponibles

Il est possible d'afficher les informations sur la station de radio telles que le texte RDS (disponible dans certaines régions), la fréquence et la date.

Appuyer sur [DISPLAY].

Remarque :

Il est possible que le système RDS ne soit pas disponible si la réception n'est pas bonne.

Réglages système

Pour voir le menu Système

En mode DAB

- 1 Appuyer sur [MENU].
- 2 Tourner le bouton [V TUNE/SELECT ^] pour sélectionner « Système » puis appuyer sur [ENTER].

En mode FM

Appuyer sur [MENU].

Pour naviguer dans le menu

Tourner le bouton [V TUNE/SELECT ^] pour sélectionner une rubrique ou une option. Appuyer sur [ENTER] pour confirmer.

Exemple : Le réglage du rétroéclairage s'affiche



Indique le réglage actuel

Réveils	<p>L'Assistant alarme est affiché.</p> <ul style="list-style-type: none"> • Réveils : Marche, Arrêt Sélectionner « Marche » pour activer l'alarme. • H.M.che : Règle les heures et les minutes de l'heure de démarrage. • Source : Buzzer, DAB, FM Régler la source audio. Si le réglage est FM ou DAB, sélectionner la dernière station syntonisée (« Dernière écoute ») ou une station pré-réglée comme source audio. • Régler le volume L'alarme démarre à un volume faible et augmente progressivement jusqu'au niveau prédéfini. « » s'affiche une fois que vous avez réglé l'alarme. <p>Remarque :</p> <ul style="list-style-type: none"> • L'alarme ne fonctionne pas lorsque l'appareil est alimenté par des piles. • Vérifiez que la date et l'heure sont bien réglées, ou bien l'alarme ne pourra pas fonctionner comme vous le désirez. • L'alarme retentira chaque jour à l'heure définie pendant une durée de 90 minutes. Appuyer sur n'importe quelle touche ou tourner n'importe quel bouton pour arrêter l'alarme. • Vous devez régler l'alarme à nouveau chaque fois que vous déconnectez et connectez l'alimentation CA, ou après le remplacement des piles.
Sommeil	<p>La minuterie de veille éteint l'appareil après l'heure réglée (en minutes). Arr.mode sommeil, 30 Minutes, 60 Minutes, 90 Minutes, 120 Minutes « SLEEP » s'affiche.</p>
Égaliseur	<p>Plat, De manière sonore, Léger, Clair, Vocal « » s'affiche.</p>

Heure	<p>Les informations d'heure et de date sont mises à jour automatiquement avec la diffusion DAB/RDS (si disponible). Il est également possible de régler l'heure et la date manuellement avec le menu Heure. Cette horloge fonctionne avec un cycle horaire de 24 heures.</p> <ul style="list-style-type: none"> • Réglage heure : Régler les heures et les minutes. • Réglage date : Régler le jour, le mois et l'année.
Rétroéclairage	<ul style="list-style-type: none"> • 10 sec : Le rétroéclairage apparaît au bout de 10 secondes d'inactivité. • Marche : Le rétroéclairage est toujours activé.
Langue	<p>Il est possible de changer la langue du panneau d'affichage. English, Italiano, Deutsch, Français</p>
Régl. en usine	<p>Oui, Non Sélectionner « Oui » pour réinitialiser l'appareil selon les réglages d'usine par défaut.</p>

Guide de dépannage

Données générales

Le son est déformé ou il n'y a pas de son.

- Régler le volume.
- Contrôler et ajuster l'antenne.
- Déplacer l'appareil vers un autre emplacement et relancer un balayage complet.
- Un cordon d'alimentation secteur CA ou une lampe fluorescente se trouve à proximité des câbles. Éloigner les autres appareils et câbles des cordons de cet appareil.

La réception est mauvaise ou on entend des battements.

- Éloigner l'antenne des ordinateurs, téléviseurs, des autres câbles et cordons. Éloigner les téléphones mobiles de l'appareil si les interférences sont apparentes.

Messages

« Non disponible »

- Aucune réception DAB.

« Pas de ch. DAB »

- Aucune station DAB disponible.
- Contrôler l'antenne.
- Déplacer l'appareil vers un autre emplacement et relancer un balayage complet.

« Heure Non enregistré »

- Les modifications de l'heure n'ont pas été enregistrées, les modifications seront perdues.

« Réveils Non enregistré »

- Les modifications de l'alarme n'ont pas été enregistrées, les modifications seront perdues.

Spécifications

Alimentation

CA CA 230 V, 50 Hz
Pile DC 6 V (4 x R14/LR14, C)

Consommation 7 W

Plage de fréquence

FM 87,50 MHz à 108,00 MHz (Étapes de 50 kHz)
DAB/DAB+ BAND III
5A à 13F (174,928 MHz à 239,200 MHz)

Borne

Casque Stéréo, 3,5 mm (16 Ω)

Enceinte

Plage complète 10 cm (4 Ω)

Puissance de sortie 2W
(RMS 10% distorsion harmonique totale)

Durée de vie des piles

Source d'alimentation	Pile manganèse R14	Pile alcaline LR14
FM	Environ 9 heures	Environ 30 heures
DAB/DAB+	Environ 12 heures	Environ 40 heures

Dimensions (L x H x P) 251 mm x 138 mm x 91 mm

Poids

Avec piles 1,3 kg
Sans piles 1,0 kg

Plage de température de fonctionnement

0 °C à +40 °C

Plage d'humidité de fonctionnement

35% à 80 % HR (sans condensation)

Consommation en mode de veille	0,6 W (environ)
--------------------------------	-----------------

Remarque :
Spécifications sujettes à modifications sans préavis. Les poids et les dimensions sont approximatifs.

Mise au rebut des piles et des appareils électriques usagés

Uniquement pour l'Union Européenne et les pays dotés de systèmes de recyclage



Apposés sur le produit lui-même, sur son emballage, ou figurant dans la documentation qui l'accompagne, ces pictogrammes indiquent que les piles et appareils électriques et électroniques usagés doivent être séparés des ordures ménagères.

Afin de permettre le traitement, la valorisation et le recyclage adéquats des piles et des appareils usagés, veuillez les porter à l'un des points de collecte prévus, conformément à la législation nationale en vigueur.

En les éliminant correctement, vous contribuez à prévenir le gaspillage de ressources précieuses ainsi qu'à protéger la santé humaine et l'environnement.

Pour de plus amples renseignements sur la collecte et le recyclage, veuillez vous renseigner auprès de votre mairie.

Le non-respect de la réglementation relative à l'élimination des déchets est passible d'une peine d'amende.



Note relative au pictogramme à apposer sur les piles (symbole du bas) :

Le pictogramme représentant une poubelle sur roues barrée d'une croix est conforme à la réglementation. Si ce pictogramme est combiné avec un symbole chimique, il remplit également les exigences posées par la Directive relative au produit chimique concerné.

Veiligheidsmaatregelen

WAARSCHUWING!

Apparaat

- Beperk het risico van brand, elektrische schokken of beschadiging van het product,
 - Stel dit apparaat niet bloot aan regen, vocht, druppels of spetters.
 - Plaats geen voorwerpen waarin een vloeistof zit bovenop het apparaat plaatsen.
 - Gebruik uitsluitend de aanbevolen accessoires.
 - Verwijder niet de afdekking.
 - Probeer nooit zelf reparaties aan het apparaat uit te voeren. Laat onderhoud over aan erkend onderhoudspersoneel.

Netsnoer

- De hoofdstekker schakelt het apparaat uit. Installeer het apparaat op een dergelijke wijze dat de hoofdstekker onmiddellijk uit het stopcontact kan worden getrokken.

VOORZICHTIG!

Apparaat

- Tijdens het gebruik is dit apparaat vatbaar voor radiostoring veroorzaakt door een mobiele telefoon. Wanneer dergelijke storing optreedt, moet u dit apparaat en de mobiele telefoon verder van elkaar vandaan gebruiken.

Batterij

- Explosiegevaar wanneer de batterij op onjuiste wijze vervangen wordt. Vervang alleen door een batterij van het type dat door de fabrikant wordt aanbevolen.
- Informeer bij de lokale autoriteiten of bij uw leverancier naar de juiste manier voor de afvalverwerking van de batterijen.
- Niet verhitten of blootstellen aan vuur.
- Laat de batterij(en) niet gedurende lange tijd achter in een auto die in de zon staat en waarvan de portieren en ramen gesloten zijn.
- Haal de batterij niet uit elkaar en veroorzaak geen kortsluiting tussen de polen.
- Laad de alkaline of mangaan-batterij niet.
- Gebruik niet een batterij waarvan de mantel is losgeraakt.
- Verwijder de batterij als u het apparaat lange tijd niet zult gebruiken of als het apparaat uitsluitend op wisselstroom zal werken. Bewaar de batterijen op een koele, donkere plaats.

Kleine voorwerpen

- De knoppen (bijv., de knop [VOLUME]) kunnen loskomen als er hard aan wordt getrokken. Voorkom dat kinderen de knop kunnen inslikken, trek de knop niet los.

Meegeleverde accessoires

Gelieve te controleren of de volgende accessoires zijn meegeleverd.

- 1 Netsnoer

Inhoud

Veiligheidsmaatregelen	2
Meegeleverde accessoires	2
Overzicht van de bedieningsfuncties	3
Stroombronnen	4
Beginnen	4
DAB	4
FM-radio	5
Systeeminstellingen	6
Verhelpen van storingen	6
Technische gegevens	7

Dit product omvat de volgende software:

- (1) De software die onafhankelijk is ontwikkeld door of voor Panasonic Corporation,
- (2) De software die eigendom is van een derde partij die Panasonic Corporation een licentie heeft verleend, en/of
- (3) Open-source software

De software die is ingedeeld in de categorie (3), wordt gedistribueerd in de hoop dat deze van nut zal zijn, maar **ZONDER ENIGE GARANTIE**, zonder zelfs ook maar de geïmpliceerde garantie van **VERKOOPBAARHEID** of **GESCHIKTHEID VOOR EEN BEPAALD DOEL**. Raadpleeg de gedetailleerde voorwaarden en condities ervan, die hieronder worden getoond.

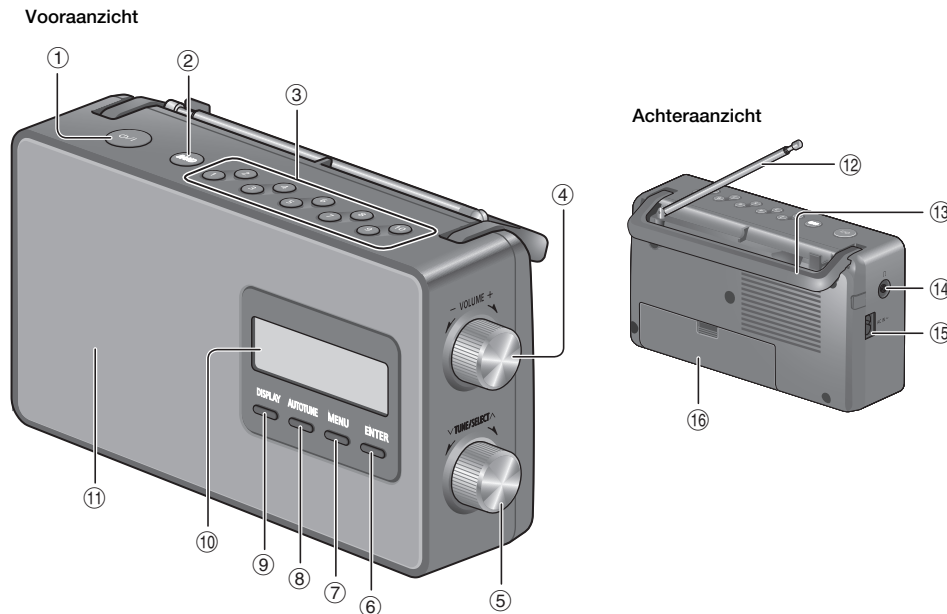
This software is copyright 2008 Simon Tatham.

Permission is hereby granted, free of charge, to any person obtaining a copy of this software and associated documentation files (the "Software"), to deal in the Software without restriction, including without limitation the rights to use, copy, modify, merge, publish, distribute, sublicense, and/or sell copies of the Software, and to permit persons to whom the Software is furnished to do so, subject to the following conditions:

The above copyright notice and this permission notice shall be included in all copies or substantial portions of the Software.

THE SOFTWARE IS PROVIDED "AS IS", WITHOUT WARRANTY OF ANY KIND, EXPRESS OR IMPLIED, INCLUDING BUT NOT LIMITED TO THE WARRANTIES OF MERCHANTABILITY, FITNESS FOR A PARTICULAR PURPOSE AND NONINFRINGEMENT. IN NO EVENT SHALL THE COPYRIGHT HOLDERS BE LIABLE FOR ANY CLAIM, DAMAGES OR OTHER LIABILITY, WHETHER IN AN ACTION OF CONTRACT, TORT OR OTHERWISE, ARISING FROM, OUT OF OR IN CONNECTION WITH THE SOFTWARE OR THE USE OR OTHER DEALINGS IN THE SOFTWARE.

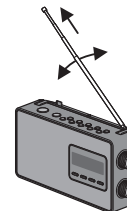
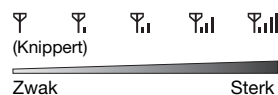
Overzicht van de bedieningsfuncties



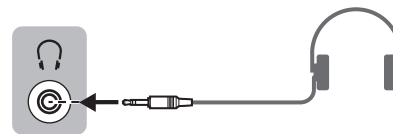
- ① **Stand-by/Aan-schakelaar** [⏻/⏻]
Indrukken om het apparaat aan of uit te schakelen. In de modus Stand-by verbruikt het apparaat nog een geringe hoeveelheid stroom.
- ② Selecteer FM- of DAB-radio
- ③ Knoppen voor directe voorkeuze
- ④ Pas het volume aan
- ⑤ Selecteer de gewenste frequentie met handmatige afstemming
Beschikbare opties bekijken
- ⑥ Een optie bevestigen
- ⑦ Beschikbaar menu bekijken
- ⑧ Automatische afstemming voor FM-zenders
- ⑨ Beschikbare informatie bekijken
- ⑩ Displaypaneel
- ⑪ **Luidspreker (mono)**
De luidspreker is niet voorzien van een magnetische afscherming. Zet dit apparaat niet vlakbij TV-toestellen, PC's of andere apparatuur die makkelijk beïnvloed wordt door magnetisme.

- ⑫ **Antenne**
Verleng de antenne, stel de lengte, de hoek en de richting af voor de beste ontvangst.

Signaalsterkte-indicator



- ⑬ Handgreep
- ⑭ **Hoofdtelefoonbus**



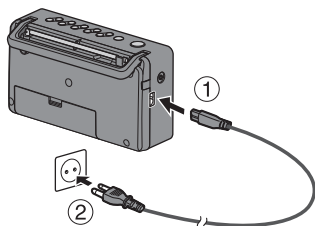
- Stekkertype: Ø 3,5 mm stereo (niet bijgeleverd)
- Overmatig geluidsvolume via oor- en hoofdtelefoon kan gehoorverlies veroorzaken.
 - Lange tijd luisteren op vol volume kan de gebruiker gehoorschade geven.

- ⑮ AC IN-aansluiting
- ⑯ Batterijvak

Stroombronnen

Het stopcontact gebruiken

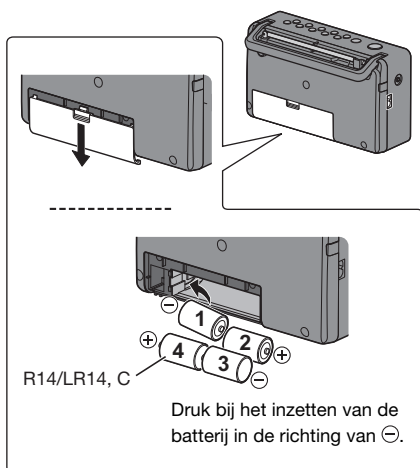
Sluit het netsnoer stevig aan op het apparaat en op het stopcontact.



Opmerking:

- Gebruik niet een netsnoer van een ander apparaat.
- Het apparaat verbruikt in de stand Stand-by een geringe hoeveelheid stroom. Haal de stekker uit het stopcontact, als u het apparaat niet gebruikt.

De batterijen gebruiken (niet bijgeleverd)

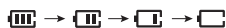


Gebruik alkaline- of mangaan-batterijen.

Installeer de batterijen zo, dat de polen (+ en -) op één lijn staan met de polen in het apparaat.

Dit apparaat gebruikt de batterijen voor de stroomvoorziening wanneer u de stekker van het netsnoer uit het stopcontact trekt. De batterij-indicator licht op.

De batterij-indicator toont het laadniveau van de batterijen.



Opmerking:

- Het apparaat schakelt in nadat u de batterijen hebt geplaatst.
- Wanneer de batterij-indicator "□" begint te knipperen, dient u alle 4 batterijen te vervangen.
- De batterij-indicator knippert gedurende 10 seconden en daarna schakelt het apparaat zichzelf uit.

Beginnen

- 1 Verleng de antenne.
- 2 Schakel het apparaat in door op [ON] te drukken.

De eerste keer dat u het apparaat inschakelt, wordt de DAB-stand geactiveerd en wordt automatisch naar zenders gezocht. De tijd en de datum worden ingesteld (als gegevens beschikbaar zijn) en de eerste zender die wordt gevonden, wordt weergegeven.

Aantal gevonden zenders



Opmerking:

In de stand Stand-by toont het apparaat de tijd en de datum (alleen wanneer het apparaat wordt gevoed door wisselstroom).

DAB

DAB (Digital Audio Broadcasting) is een procedure voor het digitaal uitzenden van radio. DAB geeft minder storing en een betere geluidskwaliteit. Dit apparaat ondersteunt DAB in het "BAND III"-bereik.

DAB-bediening

De eerste keer dat u de DAB-stand activeert, of als de zenderlijst leeg is, begint het apparaat naar zenders te zoeken en zenders in het geheugen op te slaan. U kunt de volledige scanprocedure uitvoeren wanneer er een nieuwe zender is of wanneer er een zender beschikbaar komt.

- 1 Selecteer "DAB" door op [BAND] te drukken.
- 2 Selecteer "Full scan" (Volledige scan) door op [MENU] te drukken en start vervolgens de volledige scan door op [ENTER] te drukken. Druk op [MENU] als u wilt annuleren.

Zenders die niet beschikbaar zijn, uit de lijst verwijderen

Dit apparaat duidt zenders die niet meer in de lucht zijn of niet meer beschikbaar zijn aan met een vraagteken voor de naam van de zender. U kunt deze zenders uit de lijst van zenders verwijderen.

- 1 Druk op [MENU] en selecteer vervolgens "Prune" (Snoeien) door [V TUNE/SELECT ^] te draaien.
- 2 Druk op [ENTER].
- 3 Draai [V TUNE/SELECT ^] en selecteer "Yes" (Ja) en druk vervolgens op [ENTER]. Selecteer "No" (Nee) als u wilt annuleren.



Naar een zender luisteren

- 1** Draai [V TUNE/SELECT ^] als u een zender van de lijst van zenders wilt selecteren.
- 2** Druk op [ENTER] als u op de geselecteerde zender wilt afstemmen.

Opmerking:
 "☐" duidt een secundaire servicezender aan. Secundaire servicezenders worden altijd naast hun primaire zender vermeld in de lijst van zenders.

Voorkeuzezenders instellen

U kunt tot wel 10 zenders onder de knoppen voor directe voorkeuze zetten.

- 1** Houd de gewenste knop voor directe voorkeuze ([1] tot [10]) ingedrukt terwijl u naar een zender luistert. Voorbeeld: houd [2] ingedrukt als u de actuele zender onder voorkeuze 2 wilt opslaan.



- 2** Stel de zender in als voorkeuzezender door op [ENTER] te drukken.

Naar een voorkeuzezender luisteren

Druk op de knop voor directe voorkeuze ([1] tot [10]) als u naar een voorkeuzezender wilt luisteren.

Handmatige afstemming

U kunt handmatig afstemmen op een bepaalde zender of frequentie. Dit kan handig zijn wanneer u de antenne afstelt voor een zo goed mogelijke ontvangst en u een bepaald kanaal scant voor het bijwerken van de lijst van zenders.

- 1** Druk op [MENU].
- 2** Draai [V TUNE/SELECT ^] en selecteer "Manual tune" (Handmatig afstemmen) en druk vervolgens op [ENTER].
- 3** Draai [V TUNE/SELECT ^] en selecteer een frequentie of kanaal en druk vervolgens op [ENTER]. De display toont de sterkte van het op de geselecteerde frequentie ontvangen signaal. Stel de antenne zo af dat de ontvangst optimaal is.



Drempel-indicator

Stel de antenne zo af dat de sterkte van het ontvangen signaal (dichte rechthoeken) boven de drempelindicator uitkomt.

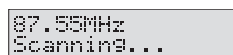
Beschikbare informatie bekijken

U kunt diverse informatie over de DAB-uitzending zien, zoals dynamisch label-informatie (indien beschikbaar), signaalsterkte, programmatype, naam van het ensemble, kanaalnummer, bitfrequentie, DAB-variant en datum.

Druk op [DISPLAY] als u beschikbare informatie wilt bekijken.
 Toon de standaard-display door [DISPLAY] ingedrukt te houden.

FM-radio

- 1** Selecteer "FM" door op [BAND] te drukken.
- 2** Druk op [AUTOTUNE] als u op een zender wilt afstemmen.



Het apparaat stopt het afstemmen wanneer een zender is gevonden.
 Druk weer op [AUTOTUNE] als u op de volgende zender wilt afstemmen.

Handmatige afstemming

Stel het radiostation van uw keuze in door op [V TUNE/SELECT ^] te draaien.

Voorkeuzezenders instellen

U kunt tot wel 10 zenders onder de knoppen voor directe voorkeuze zetten. Om het u gemakkelijk te maken zijn de eerste vijf zenders met een standaardfrequentie vooraf ingesteld.

- 1** Houd de gewenste knop voor directe voorkeuze ([1] tot [10]) ingedrukt terwijl u naar een zender luistert.
- 2** Stel de zender in als voorkeuzezender door op [ENTER] te drukken.

Naar een voorkeuzezender luisteren

Druk op de knop voor directe voorkeuze ([1] tot [10]) als u naar een voorkeuzezender wilt luisteren.

Beschikbare informatie bekijken

U kunt de informatie van het radiostation, zoals RDS-tekst (in sommige gebieden beschikbaar), frequentie en datum, bekijken.

Druk op [DISPLAY].

Opmerking:
 RDS-gegevens zullen soms niet verschijnen als de ontvangst slecht is.

NEDERLANDS

Systeminstellingen

Het Systememenu

In stand DAB

- 1 Druk op [MENU].
- 2 Draai [V TUNE/SELECT ^] en selecteer "System" (Systeem) en druk vervolgens op [ENTER].

In stand FM

Druk op [MENU].

Navigeren door het menu

Draai [V TUNE/SELECT ^] en selecteer een item of optie. Druk op [ENTER] om de invoer te bevestigen.

Voorbeeld: De instelling van de achtergrondverlichting verschijnt



Alarm	<p>De Alarm-Wizard wordt getoond.</p> <ul style="list-style-type: none"> • Alarm: On (Aan), Off (Uit) Schakel het alarm in door "On" te selecteren. • On time (Aan-tijd): Stel de starttijd in in uren en minuten. • Source (Bron): Buzzer (Zoemer), DAB, FM Stel de audiobron in. Als FM of DAB wordt ingesteld, selecteer dan de laatste zender waarop u hebt afgestemd ("Last listened") of een voorkeuzezender als de audiobron. • Stel het volume in De alarm start op een laag volume en neemt geleidelijk toe tot het vooraf ingestelde niveau. <p>"O" wordt weergegeven, nadat u het alarm instelt.</p> <p>Opmerking:</p> <ul style="list-style-type: none"> • Het alarm werkt niet wanneer het apparaat wordt gevoed door batterijen. • Controleer, dat de datum en tijd juist ingesteld zijn of anders kan het alarm niet werken, zoals men wil dat dit werkt. • Het alarm treedt iedere dag 90 minuten lang op de ingestelde tijd in werking. Druk op een knop of draai aan een knop als u het alarm wilt stoppen. • U dient het alarm opnieuw in te stellen, telkens wanneer u de verbinding van de AC-voeding verbreekt en weer aanbrengt of nadat u de batterijen vervangt.
Sleep (Slaap)	<p>De slaaptimer schakelt het apparaat uit na de ingestelde tijd (in minuten). Sleep Off (Slaap Uit), 30 minutes, 60 minutes, 90 minutes, 120 minutes "SLEEP" wordt weergegeven.</p>
Equaliser	<p>Flat (Vlak), Heavy (Zwaar), Soft (Zacht), Clear (Helder), Vocal (Vocaal) "EQ" wordt weergegeven.</p>

Time (Tijd)	<p>De informatie over de tijd en de datum worden automatisch bijgewerkt bij de DAB-/RDS-uitzending (indien beschikbaar). U kunt ook de tijd en de datum handmatig instellen met het menu Time (Tijd). De klok werkt volgens het 24-uursysteem.</p> <ul style="list-style-type: none"> • Set time (Tijd instellen): Het uur en de minuten instellen. • Set date (Datum instellen): De dag, de maand en het jaar instellen.
Backlight (Achtergrondverlichting)	<ul style="list-style-type: none"> • 10 sec: De achtergrondverlichting schakelt zichzelf uit na 10 seconden inactiviteit. • On (Aan): De achtergrondverlichting is altijd aan.
Language (Taal)	<p>U kunt een andere taal voor de display kiezen. English, Italiano, Deutsch, Français</p>
Factory Reset (Reset af-fabriek)	<p>Yes (Ja), No (Nee) Selecteer "Yes" als u het apparaat wilt resetten naar de standaardinstelling af-fabriek.</p>

Verhelpen van storingen

Algemeen

Geluid wordt vervormd of er is geen geluid.

- Pas het volume aan.
- Controleer en stel de antenne af.
- Verplaats het apparaat naar een andere locatie en voer weer een volledig scan uit.
- Er bevindt zich een netsnoer of een fluorescerend licht in de buurt van de kabels. Houd andere apparaten en snoeren uit de buurt van de kabels van dit apparaat.

De ontvangst is zwak en er klinkt een zwevend geluid.

- Houd de antenne uit de buurt van computers, tv-toestellen en andere kabels en snoeren. Verplaats mobiele telefoons van het apparaat weg, als er duidelijk interferentie optreedt.

Berichten

"Service not available" (Service niet beschikbaar)

- Geen DAB-ontvangst.

"No DAB station" (Geen DAB-zender)

- Geen DAB-zender beschikbaar.
- Controleer de antenne.
- Verplaats het apparaat naar een andere locatie en voer weer een volledig scan uit.

"Time Not saved" (De tijd is niet opgeslagen)

- De wijziging van de tijd is niet opgeslagen, de wijziging is verloren gegaan.

"Alarm Not saved" (Het alarm is niet opgeslagen)

- De wijziging van het alarm is niet opgeslagen, de wijziging is verloren gegaan.

Technische gegevens

Voeding

Wisselstroom AC 230 V, 50 Hz
Batterij DC 6 V (4 x R14/LR14, C)

Opgenomen vermogen 7 W

Frequentiebereik

FM 87,50 MHz t/m 108,00 MHz (Stappen van 50 kHz)
DAB/DAB+ BAND III
5A t/m 13F (174,928 MHz t/m 239,200 MHz)

Aansluiting

Hoofdtelefoon Stereo, 3,5 mm (16 Ω)

Luidspreker

Volledig bereik 10 cm (4 Ω)

Uitgangsvermogen 2 W (RMS 10% THD)

Levensduur van de batterijen

Stroombron	Mangaanbatterij R14	Alkalinebatterij LR14
FM	Ongev. 9 uur	Ongev. 30 uur
DAB/DAB+	Ongev. 12 uur	Ongev. 40 uur

Afmetingen (B x H x D) 251 mm x 138 mm x 91 mm

Gewicht

Met batterijen 1,3 kg
Zonder batterijen 1,0 kg

Gebruikstemperatuurbereik 0°C t/m +40°C

Vochtigheidsbereik

35% t/m 80% RV (geen condensatie)

Stroomverbruik in Stand-by stand

0,6 W (ongeveer)

Opmerking:

Specificaties kunnen zonder voorafgaande kennisgeving worden gewijzigd. Gewicht en afmetingen zijn bij benadering.

Het wegdoen van oude apparatuur en batterijen Alleen voor de Europese Unie en landen met recyclingsystemen



Deze symbolen op de producten, verpakking en/of begeleidende documenten betekenen dat gebruikte elektrische en elektronische producten gebruikte en batterijen niet mogen gemend worden met gewoon huishoudelijk afval.

Voor een correcte behandeling, recuperatie en recyclage van oude producten en lege batterijen moeten zij naar de bevoegde verzamelpunten gebracht worden in overeenstemming met uw nationale wetgeving.

Door ze correct te verwijderen draagt u uw steentje bij tot het beschermen van waardevolle middelen en tot de preventie van potentieel negatieve effecten op de gezondheid van de mens en op het milieu.

Voor meer informatie over inzamelen en recycleren, gelieve contact op te nemen met uw plaatselijke gemeente.

Voor een niet-correcte verwijdering van dit afval kunnen boetes opgelegd worden in overeenstemming met de nationale wetgeving.



Opmerking over het batterijensymbool (onderkant symbool):

Dit symbool kan gebruikt worden in verbinding met een chemisch symbool. In dat geval wordt de eis, vastgelegd door de Richtlijn voor de betrokken chemische producten vervuld.

Sikkerhedsforskrifter

ADVARSEL!

Apparatet

- For at mindske risikoen for brand, elektrisk stød eller beskadigelse af produktet:
 - Undlad at udsætte apparatet for regn, fugt, dryp eller tilsprøjtning.
 - Undlad at placere væskefyldte genstande som f.eks. vaser oven på apparatet.
 - Benyt kun anbefalet tilbehør.
 - Undlad at fjerne kabinettet.
 - Forsøg ikke at udføre reparationer selv. Service må kun udføres af autoriseret servicepersonale.

Strømledning

- Strømtikket er frakoblingsenheden. Dette apparat skal installeres således at strømtikket straks kan tages ud af stikkontakten.

FORSIGTIG!

Apparatet

- Dette apparat kan modtage radiointerferens forårsaget af mobiltelefoner under brug. Hvis interferens forekommer, bedes du venligst øge afstanden mellem apparatet og mobiltelefonen.

Batteri

- Fare for eksplosion, hvis batteriet ikke udskiftes korrekt. Udskift kun med den type, der anbefales af fabrikanten.
- Når batterierne skal bortskaffes, bedes du kontakte de lokale myndigheder eller forhandleren for at få oplysninger om den korrekte bortskaffelsesmetode.
- Batteriet må ikke opvarmes eller udsættes for åben ild.
- Undlad at efterlade batteriet/batterierne i en bil i direkte sollys i en længere periode med døre og vinduer lukket.
- Batteriet må ikke åbnes, og det må aldrig kortsluttes.
- Et alkalisk eller mangan-batteri må ikke oplades.
- Anvend ikke batteriet, hvis dækslet er blevet fjernet.
- Fjern batteriet, hvis du ikke bruger enheden i en længere periode, eller hvis enheden udelukkende skal drives af vekselstrøm. Opbevares på et køligt og mørkt sted.

Små genstande

- Drejeknapperne (f.eks. [VOLUME]-knap) kan gå af, når der trækkes hårdt i dem. Undgå at trække knappen af, for at forhindre børn i at sluge den.

Medfølgende tilbehør

Kontrollér og identificer venligst det medfølgende tilbehør.

- 1 Strømledning

Indholdsfortegnelse

Sikkerhedsforskrifter	2
Medfølgende tilbehør	2
Overblik over betjeningsknapper	3
Strømkilder	4
Kom godt i gang	4
DAB	4
FM-radio	5
Systemindstillinger	6
Fejlfinding	6
Specifikationer	7

Dette produkt indeholder følgende software:

- (1) Software, der er udviklet uafhængigt af eller for Panasonic Corporation,
- (2) Software, der ejes af tredjepart og licenseret til Panasonic Corporation, og/eller
- (3) Open source-software

Software, der er kategoriseres som (3) er distribueret i håb om at det vil være nyttigt, men UDEN NOGEN GARANTI, endda uden den underforståede garanti for SALGBARHED eller EGNETHED TIL ET BESTEMT FORMÅL. Der henvises til de nærmere vilkår herfor, som er vist nedenfor.

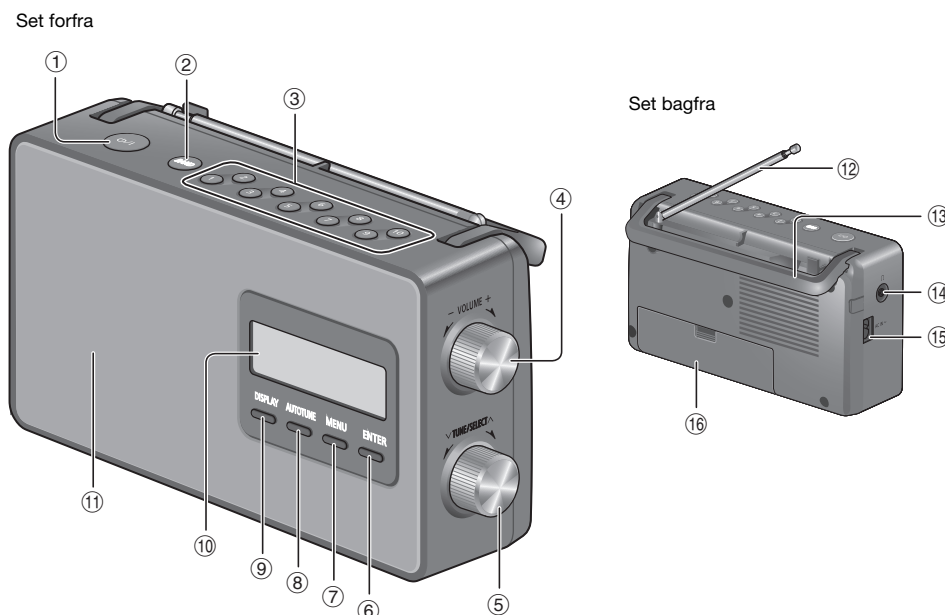
This software is copyright 2008 Simon Tatham.

Permission is hereby granted, free of charge, to any person obtaining a copy of this software and associated documentation files (the "Software"), to deal in the Software without restriction, including without limitation the rights to use, copy, modify, merge, publish, distribute, sublicense, and/or sell copies of the Software, and to permit persons to whom the Software is furnished to do so, subject to the following conditions:

The above copyright notice and this permission notice shall be included in all copies or substantial portions of the Software.

THE SOFTWARE IS PROVIDED "AS IS", WITHOUT WARRANTY OF ANY KIND, EXPRESS OR IMPLIED, INCLUDING BUT NOT LIMITED TO THE WARRANTIES OF MERCHANTABILITY, FITNESS FOR A PARTICULAR PURPOSE AND NONINFRINGEMENT. IN NO EVENT SHALL THE COPYRIGHT HOLDERS BE LIABLE FOR ANY CLAIM, DAMAGES OR OTHER LIABILITY, WHETHER IN AN ACTION OF CONTRACT, TORT OR OTHERWISE, ARISING FROM, OUT OF OR IN CONNECTION WITH THE SOFTWARE OR THE USE OR OTHER DEALINGS IN THE SOFTWARE.

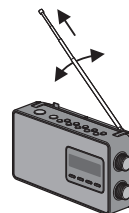
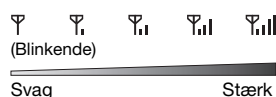
Overblik over betjeningsknapper



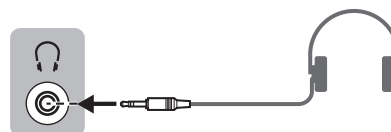
- ① **Standby/Tænd afbryder** [⏻/⏻]
Tryk for at tænde/slukke for apparatet. Der bruges en smule strøm, når apparatet står i standby.
- ② **Vælg FM eller DAB radio**
- ③ **Direkte forindstillede knapper**
- ④ **Indstil lydstyrken**
- ⑤ **Vælg den ønskede frekvens i manuel indstilling**
Vis tilgængelige valgmuligheder
- ⑥ **Bekræft en option**
- ⑦ **Vis tilgængelig menu**
- ⑧ **Automatisk indstilling for FM-stationer**
- ⑨ **Vis tilgængelige oplysninger**
- ⑩ **Displaypanel**
- ⑪ **Højtaler (mono)**
Højtaleren er ikke magnetisk afskærmet. Denne enhed må ikke placeres i nærheden af tv'er, pc'er eller andet udstyr, som let bliver påvirket af magnetisme.

- ⑫ **Antenne**
Forlæng antennen, justér længden, vinklen og retningen for at få den bedste modtagelse.

Signalstyrkeindikator



- ⑬ **Håndtag**
- ⑭ **Stik til hovedtelefoner**



- Stiktype: Ø 3,5 mm stereo (medfølger ikke)
- Kraftigt lydtryk fra høretelefoner og hovedtelefoner kan medføre tab af hørelsen.
 - Det kan give høreskader at lytte for fuld styrke i længere tid.

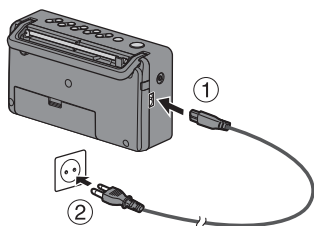
- ⑮ **AC IN-terminal**
- ⑯ **Batterium**

DANSK

Strømkilder

Anvendelse af den stikkontakt

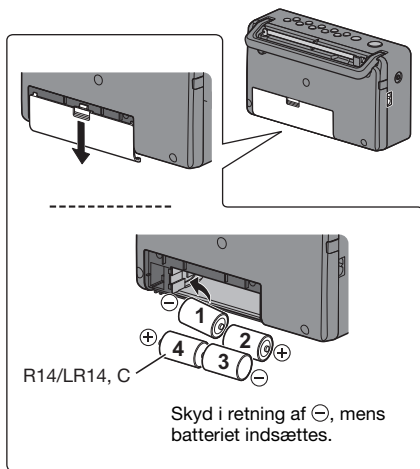
Sæt strømledningen godt fast i enheden samt i stikkontakten.



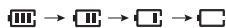
Bemærk:

- Undlad at anvende strømledning fra andet udstyr.
- Denne enhed bruger en lille mængde strøm, når den er i standbytilstand. Hvis du ikke bruger enheden, skal du koble strømforsyningen fra.

Brug af batterier (medfølger ikke)



Brug alkaline- eller manganbatterier. Isæt batterierne, så polerne (+ og -) passer med dem i enheden. Denne enhed bruger batterierne som strømkilde når du tager strømledningen ud af lysnettet. Batteriets indikator lyser. Batteriindikatoren viser batteriniveauerne.



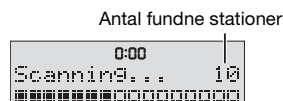
Bemærk:

- Enheden tændes, når du indsætter batterierne.
- Skift alle 4 batterier ud, når batteriindikatoren "□" begynder at blinke.
- Når batteriindikatoren har blinket i 10 sekunder, slukkes enheden automatisk.

Kom godt i gang

- 1 Forlæng antennen.
- 2 Tryk på [P/I] for at tænde enheden.

Den første gang du tænder enheden, går den i DAB-tilstand, og scanner automatisk efter stationer. Den indstiller tid og dato (hvis data er tilgængelig) og begynder at afspille den første station, den finder.



Bemærk:

I standbytilstand viser enheden tid og dato (kun når enheden kører på strøm).

DAB

DAB (Digital Audio Broadcasting) er en procedure der udsender radioen digitalt. Den giver mindre interferens og en bedre lyd kvalitet. Denne enhed understøtter DAB i "BAND III"-bånd.

DAB-funktion

Den første gang du går i DAB-tilstand, eller hvis listen over stationer er tom, starter enheden en fuldstændig scan og gemmer stationerne i hukommelsen. Du kan udføre fuld scanningsprocedure, når der er en ny station eller en station bliver tilgængelig.

- 1 Tryk på [BAND] for at vælge "DAB".
- 2 Tryk på [MENU] for at vælge "Full scan" (Fuld scanning), og tryk derefter på [ENTER] for at starte en fuld scanning. For at annullere, tryk på [MENU].

Fjern utilgængelige stationer der ikke er anførte

Denne enhed viser de stationer der er lukkede eller ikke længere tilgængelige med et spørgsmålstegn foran stationens navn. Du kan fjerne disse stationer fra listen over stationer.

- 1 Tryk på [MENU], og drej derefter [V TUNE/SELECT ^] for at vælge "Prune" (Begræns).
- 2 Tryk på [ENTER].
- 3 Drej [V TUNE/SELECT ^] for at vælge "Yes" (Ja), og tryk derefter på [ENTER]. For at annullere, vælg "No" (Nej).



Lyt til en station

- 1** Drej [V TUNE/SELECT ^] for at vælge en station fra listen over stationer.
- 2** Tryk på [ENTER] for at stille ind på den valgte station.

Bemærk:
"☑" angiver en sekundær servicestation. Sekundære servicestationer er altid opført ved siden af deres primære station på listen over stationer.

Forudindstilling af stationer

Du kan forudindstille op til 10 stationer i de direkte forudindstillede knapper.

- 1** Mens du lytter til en station, skal du trykke på og holde den ønskede direkte forudindstillede knap ([1] til [10]) nede.
Eksempel: Tryk på og hold [2] nede for at gemme den aktuelle station i forudindstilling 2.



Press ENTER key
Preset 2

- 2** Tryk på [ENTER] for at forudindstille stationen.

Lyt til en forudindstillet station

Tryk på den direkte forudindstillede knap ([1] til [10]) for at lytte til den forudindstillede station.

Manuel indstilling af stationer

Du kan udføre manuel indstilling til en bestemt kanal eller frekvens. Dette kan være nyttigt, når du justerer antennen for at opnå den bedst mulige modtagelse og scanner efter en bestemt kanal for at opdatere listen over stationer.

- 1** Tryk på [MENU].
- 2** Drej [V TUNE/SELECT ^] for at vælge "Manual tune" (Manuel indstilling), og tryk derefter på [ENTER].
- 3** Drej [V TUNE/SELECT ^] for at vælge en frekvens eller kanal, og tryk derefter på [ENTER].
Displayet viser den modtagne signalstyrke for den valgte frekvens. Juster antennen for at opnå den bedste modtagelse.



5A 174.928MHz

Tærskelindikator

Justér antennen således at den modtagne signalstyrke (massive rektangler) overstiger tærskelværtdiindikatoren.

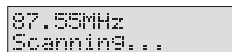
Visning af tilgængelige oplysninger

Du kan få vist forskellige oplysninger om DAB-udsendelsen, såsom dynamisk betegnelse (hvis tilgængelig), signalstyrke, programtype, ensemble navn, kanalnummer, bithastighed, DAB-variant og dato.

Tryk på [DISPLAY] for at se tilgængelige oplysninger. Tryk på og hold [DISPLAY] nede for at vise standarddisplayet.

FM-radio

- 1** Tryk på [BAND] for at vælge "FM".
- 2** Tryk på [AUTOTUNE] for at stille ind på en station.



87.55MHz
Scanning...

Enheden stopper indstillingen, når den finder en station.

Tryk på [AUTOTUNE] igen for at stille ind på den næste station.

Manuel indstilling af stationer

Drej [V TUNE/SELECT ^] for at stille ind på den ønskede station.

Forudindstilling af stationer

Du kan forudindstille op til 10 stationer i de direkte forudindstillede knapper.

De første fem stationer er forudindstillet med en standardfrekvens for din bekvemmelighed.

- 1** Mens du lytter til en station, skal du trykke på og holde den ønskede direkte forudindstillede knap ([1] til [10]) nede.
- 2** Tryk på [ENTER] for at forudindstille stationen.

Lyt til en forudindstillet station

Tryk på den direkte forudindstillede knap ([1] til [10]) for at lytte til den forudindstillede station.

Visning af tilgængelige oplysninger

Du kan se oplysninger om radiostationen, såsom RDS-tekst (tilgængelig i nogle områder), frekvens og dato.

Tryk på [DISPLAY].

Bemærk:
Det er ikke sikkert, at RDS er tilgængelig, hvis modtagelsen er dårlig.

Systemindstillinger

For at se systemmenuen

Når du er i DAB-tilstand

- 1 Tryk på [MENU].
- 2 Drej [V TUNE/SELECT Λ] for at vælge "System", og tryk derefter på [ENTER].

Når du er i FM-tilstand

Tryk på [MENU].

For at navigere rundt i menuen

Drej [V TUNE/SELECT Λ] for at vælge et punkt eller en funktion. Tryk på [ENTER] for at bekræfte.

Eksempel: Baglydsindstilling vises



Angiver aktuelle indstilling

Alarm	<p>Alarmsguiden vises.</p> <ul style="list-style-type: none"> • Alarm: On (Tændt), Off (Fra) Vælg "On" for at tænde for alarmen. • On time (Til-tid): Indstil timer og minutter for starttidspunktet. • Source (Kilde): Buzzer, DAB, FM Indstil lydkilden. <p>Hvis FM eller DAB er indstillet, skal du vælge den sidste station, du stillede ind på ("Last listened"), eller en forudindstillet station som lydkilde.</p> <ul style="list-style-type: none"> • Indstil lydstyrken Alarmen starter ved en lav lydstyrke og den stiger gradvist til det forindstillede niveau. <p>"☹" vises når du indstiller alarmen.</p> <p>Bemærk:</p> <ul style="list-style-type: none"> • Alarmen virker ikke, når enheden er drevet af batterier. • Kontrollér om datoen og tiden er indstillet korrekt, ellers fungerer alarmen muligvis ikke som ønsket. • Alarmen tændes på det indstillede tidspunkt hver dag med en varighed på 90 minutter. Tryk på en vilkårlig knap eller drej en hvilket som helst drejeknap for at stoppe alarmen. • Du skal indstille alarmen igen hver gang du afbryder og frakobler vekselstrømmen, eller når du har udskiftet batterierne.
Sleep	<p>Sleeptimeren slukker for enheden efter den indstillede tid (i minutter). Sleep Off (Sleep Fra), 30 minutes, 60 minutes, 90 minutes, 120 minutes "SLEEP" vises.</p>
Equaliser	<p>Flat (Flad), Heavy (tung), Soft (blød), Clear (klar), Vocal (vokal) "EQ" vises.</p>

Time (Tid)	<p>Tid og dato opdateres automatisk med DAB-/RDS-udsendelser (hvis tilgængelig). Du kan også indstille tid og dato manuelt med menuen Tid. Dette system er udstyret med et 24-timers digitalur.</p> <ul style="list-style-type: none"> • Set time (Indstil tid): Indstil timer og minutter. • Set date (Indstil dato): Indstil dag, måned og år.
Backlight (Baglys)	<ul style="list-style-type: none"> • 10 sec (10 sek): Bagbelysningen slukker efter 10 sekunders inaktivitet. • On (Tændt): Bagbelysningen er altid tændt.
Language (Sprog)	<p>Du kan ændre sproget for displayet. English, Italiano, Deutsch, Français</p>
Factory Reset (Fabrikstilstilling)	<p>Yes (Ja), No (Nej) Vælg "Yes" for at nulstille enheden til standardindstilling.</p>

Fejlfinding

Generelt

Lyden er forvrænget, eller der er ingen lyd.

- Indstil lydstyrken.
- Kontrollér og justér antennen.
- Flyt enheden til et andet sted og udfør en fuld scanning igen.
- Der er en strømledning eller et lysstofrør i nærheden af kablerne. Hold andet udstyr og ledninger væk fra denne enheds kabler.

Modtagelsen er dårlig eller der høres en hyletone.

- Hold antennen væk fra computere, tv'et, andre kabler og ledninger. Hvis der forekommer interferens, skal du flytte mobiltelefoner væk fra enheden.

Meddelelser

"Service not available" (Tjenesten er ikke tilgængelig)

- Ingen DAB-modtagelse.

"No DAB station" (Ingen DAB-station)

- Ingen DAB-station er tilgængelig.
- Kontrollér antennen.
- Flyt enheden til et andet sted og udfør en fuld scanning igen.

"Time Not saved" (Tiden er ikke gemt)

- Ændringerne for tiden blev ikke gemt. Ændringerne går tabt.

"Alarm Not saved" (Alarm ikke gemt)

- Ændringerne for alarmen blev ikke gemt. Ændringerne går tabt.

Specifikationer

Strømforsyning
 AC AC 230 V, 50 Hz
 Batteri DC 6 V (4 x R14/LR14, C)

Strømforbrug 7 W

Frekvensområde
 FM 87,50 MHz til 108,00 MHz (50 kHz trin)
 DAB/DAB+ BAND III
 5A til 13F (174,928 MHz til 239,200 MHz)

Terminal
 Hovedtelefoner Stereo, 3,5 mm (16 Ω)

Højtaler
 Fuldt område 10 cm (4 Ω)

Udgangseffekt 2 W (RMS 10% THD)

Batterilevetid

Strømkilde	R14- manganbatteri	LR14- alkalinebatteri
FM	Ca. 9 t.	Ca. 30 t.
DAB/DAB+	Ca. 12 t.	Ca. 40 t.

Mål (B x H x D) 251 mm x 138 mm x 91 mm

Vægt
 Med batterier 1,3 kg
 Uden batterier 1,0 kg

Driftstemperaturområde 0°C til +40°C

Driftsluftfugtighedsområde
 35% til 80 % RH (ingen kondensering)

Strømforbrug i standby-tilstand	0,6 W (ca.)
--	--------------------

Bemærk:
 Specifikationerne kan ændres uden varsel. Vægt og mål er omtrentlige.

Bortskaffelse af gammelt udstyr og batterier Kun for europæiske lande og lande med recycling-systemer



Disse symboler på produkter, emballage og/eller ledsagedokumenter betyder, at brugte elektriske og elektroniske produkter og batterier ikke må blandes med almindeligt husholdningsaffald.

Sådanne gamle produkter og batterier skal indleveres til behandling, genvinding resp. recycling i henhold til gældende nationale bestemmelser.

Ved at bortskaffe af dem korrekt, hjælper du til med at beskytte værdifulde ressourcer og hindrer de negative påvirkninger af det menneskelige helbred og miljøet.

For yderligere information om indsamling og recycling, kan du henvende dig til din kommune.

Usagkyndig bortskaffelse af elektronikskrot og batterier kan eventuelt udløse bødeforlæg.



Information om batterisymbol (nederste symbol):

Dette symbol kan optræde sammen med et kemisk symbol. I så fald opfylder det kravene for det direktiv, som er blevet fastlagt for det pågældende kemikalie.

Bezpečnostní upozornění

VAROVÁNÍ!

Přístroj

- Abyste snížili nebezpečí vzniku požáru, úrazu elektrickým proudem nebo poškození přístroje:
 - Nevystavujte tento přístroj dešti, nadměrné vlhkosti, kapající vodě a postříkání.
 - Na přístroj by neměly být umísťovány žádné objekty naplněné vodou, jako jsou například vázy.
 - Používejte pouze doporučené příslušenství.
 - Neodstraňujte kryt přístroje.
 - Nepokoušejte se přístroj opravit sami. Opravy přenechejte kvalifikovaným pracovníkům servisu.

Kabel síťového napájení (AC)

- Zástrčka je zařízení k odpojení. Tento přístroj nainstalujte tak, aby bylo možné napájecí kabel okamžitě vypojit ze zásuvky.

POZOR!

Přístroj

- Tento přístroj může být během používání rušen rádiovou interferencí, která je způsobena mobilním telefonem. Jestliže k takovéto interferenci dojde, zajistěte větší vzdálenost mezi tímto přístrojem a mobilním telefonem.

Baterie

- V případě nesprávné výměny baterie hrozí nebezpečí výbuchu. Vyměňujte pouze za typ baterie, který doporučuje výrobce.
- Při likvidaci baterií se obraťte na místní úřady nebo na prodejce a informujte se o správném způsobu likvidace.
- Nevystavujte baterie teplu nebo ohni.
- Nenechávejte baterie v automobilu vystavené přímému slunečnímu světlu po delší dobu, když jsou zavřené dveře a okna.
- Nerozebírejte ani nezkratujte baterie.
- Nedobíjejte alkalické nebo manganové baterie.
- Nepoužívejte baterie, u nichž se loupe obal.
- Jestliže přístroj nebudete používat delší dobu nebo ho budete napájet výhradně z elektrické sítě, vyjměte z něj baterie. Skladujte na chladném a tmavém místě.

Malé předměty

- Knoflíky (např. knoflík [VOLUME]) mohou z přístroje vypadnout, když za ně silně zatáhnete. Proto je nevytahujte, aby je děti nemohly spolknout.

Dodávané příslušenství

Zkontrolujte si dodávané příslušenství.

- 1 kabel síťového napájení (AC)

Obsah

Bezpečnostní upozornění	2
Dodávané příslušenství	2
Přehled ovládání	3
Zdroje napájení	4
První spuštění	4
DAB	4
Rádio FM	5
Nastavení systému	6
Odstraňování závad	6
Specifikace	7

V tomto produktu je obsažen následující software:

- software vyvinutý nezávisle společností Panasonic Corporation nebo na její objednávku.
- software ve vlastnictví třetí strany a podléhající licenci společnosti Panasonic Corporation, a/nebo
- software s otevřeným zdrojovým kódem

Software spadající do kategorie (3) je distribuován ve víře, že bude užitečný, avšak **BEZ JAKÉKOLI ŽÁRUKY**, včetně odvozené záruky **PRODEJNOSTI** nebo **VHODNOSTI PRO URČITÝ ÚČEL**. Přečtěte si podrobné smluvní podmínky uvedené níže.

This software is copyright 2008 Simon Tatham.

Permission is hereby granted, free of charge, to any person obtaining a copy of this software and associated documentation files (the "Software"), to deal in the Software without restriction, including without limitation the rights to use, copy, modify, merge, publish, distribute, sublicense, and/or sell copies of the Software, and to permit persons to whom the Software is furnished to do so, subject to the following conditions:

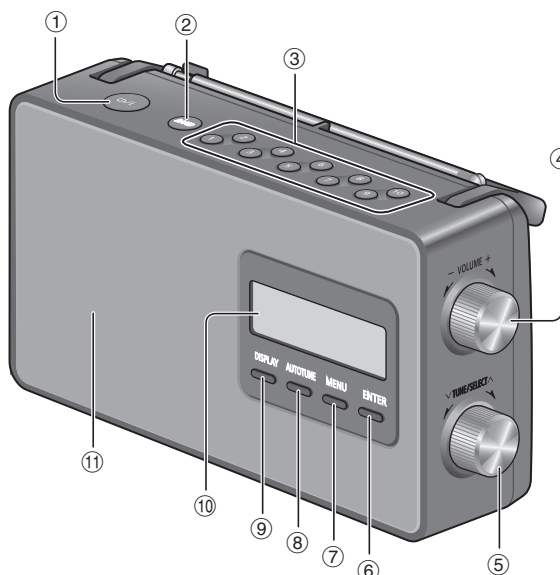
The above copyright notice and this permission notice shall be included in all copies or substantial portions of the Software.

THE SOFTWARE IS PROVIDED "AS IS", WITHOUT WARRANTY OF ANY KIND, EXPRESS OR IMPLIED, INCLUDING BUT NOT LIMITED TO THE WARRANTIES OF MERCHANTABILITY, FITNESS FOR A PARTICULAR PURPOSE AND NONINFRINGEMENT. IN NO EVENT SHALL THE COPYRIGHT HOLDERS BE LIABLE FOR ANY CLAIM, DAMAGES OR OTHER LIABILITY, WHETHER IN AN ACTION OF CONTRACT, TORT OR OTHERWISE, ARISING FROM, OUT OF OR IN CONNECTION WITH THE SOFTWARE OR THE USE OR OTHER DEALINGS IN THE SOFTWARE.

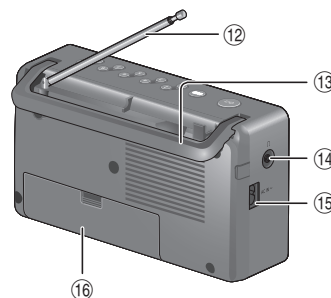
Přehled ovládání

ČESKY

Pohled zepředu



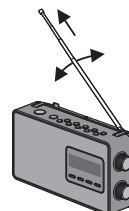
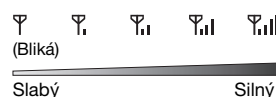
Pohled zezadu



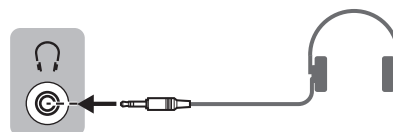
- ① **Tlačítko přepnutí do pohotovostního režimu/zapnutí [P/I]**
Stisknutím tohoto tlačítka se přístroj zapíná z pohotovostního režimu, nebo naopak vypíná. V pohotovostním režimu přístroj stále spotřebovává malé množství el. proudu.
- ② Vyberte rádio FM nebo DAB
- ③ Přímá tlačítka předvoleb
- ④ Nastavte hlasitost
- ⑤ Pomocí ručního ladění vyberte požadovanou frekvenci
Zobrazit dostupné možnosti
- ⑥ Potvrdit možnost
- ⑦ Zobrazit dostupnou nabídku
- ⑧ Automatické ladění FM stanic
- ⑨ Zobrazit dostupné informace
- ⑩ Panel displeje
- ⑪ **Reproduktor (monofonní)**
Reproduktor nemá magnetické stínění. Neumísťujte tento přístroj do blízkosti TV, PC nebo jiného zařízení snadno ovlivnitelného magnetismem.

- ⑫ **Anténa**
K dosažení lepšího příjmu rozšířte nebo změňte délku / úhel / směr antény.

Indikátor síly signálu



- ⑬ Rukojeť
- ⑭ **Konektor pro sluchátka**



Typ konektoru: stereofonní, souosý o průměru \varnothing 3,5 mm (není v příslušenství)

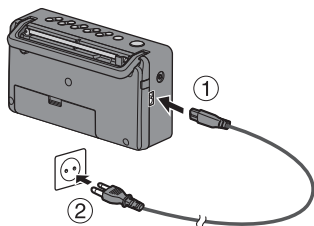
- Příliš hlasitá reprodukce ze sluchátek může způsobit ztrátu sluchu.
- Dlouhodobý poslech na maximální hlasitost může poškodit sluch uživatele.

- ⑮ Zdiřka AC IN
- ⑯ Příhrádka na baterie

Zdroje napájení

Používání domovní zásuvky

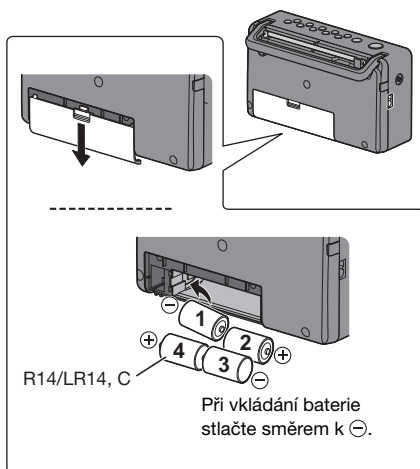
Připojte síťový přívod pevně k přístroji a do zásuvky.



Poznámka:

- Nepoužívejte kabely síťového napájení (AC) z jiných zařízení.
- Tento přístroj v pohotovostním režimu spotřebovává malé množství energie. Jestliže přístroj nepoužíváte, napájení odpojte.

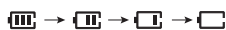
Používání baterií (nejsou v příslušenství)



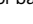
Použijte alkalické nebo manganové baterie. Vložte baterie tak, aby se póly (+ a -) shodovaly s těmi v přístroji.

Tento přístroj použije baterie jako zdroj napájení, když dojde k odpojení kabelu síťového napájení. Indikátor baterií se rozsvítí.

Indikátor baterií zobrazuje úroveň jejich kapacity.



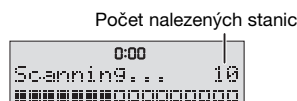
Poznámka:

- Přístroj se zapne, jakmile vložíte baterie.
- Jakmile začne indikátor baterií „“ blikat, vyměňte všech 4 baterií.
- Indikátor baterie bude 10 sekund blikat a potom se přístroj automaticky vypne.

První spuštění

- 1 Vysuňte externí anténu.
- 2 Pro zapnutí přístroje stiskněte [ON].

Při prvním zapnutí přístroje se spustí režim DAB a automaticky se vyhledají dostupné stanice. Nastaví se čas a datum (budou-li k dispozici data) a spustí se přehrávání první vyhledané stanice.



Poznámka:

V pohotovostním režimu přístroj zobrazuje čas a datum (pouze při síťovém napájení).

DAB

DAB (Digital Audio Broadcasting) je digitální rozhlasová technologie. Vyznačuje se menšími interferencemi a lepší kvalitou zvuku.

Tento přístroj podporuje DAB v pásmech „BAND III“.

Ovládání DAB

Při prvním spuštění režimu DAB nebo když je seznam stanic prázdný, přístroj spustí úplné vyhledávání a uložení stanic do paměti.

Úplné vyhledávání můžete spustit, když je k dispozici nová stanice.

- 1 Stiskněte [BAND] pro výběr „DAB“.
- 2 Stiskněte [MENU] pro výběr „Full scan“ (Úplné vyhledávání) a potom stiskněte [ENTER] pro jeho zahájení.
Pro zrušení stiskněte [MENU].

Odebrání nedostupných stanic ze seznamu

Tento přístroj označí uzavřené nebo již nedostupné stanice pomocí otázníku před názvem stanice. Tyto stanice můžete odebrat ze seznamu stanic.

- 1 Stiskněte [MENU] a potom otočením [V TUNE/SELECT \wedge] vyberte „Prune“ (Prořezávat).
- 2 Stiskněte [ENTER].
- 3 Otočením [V TUNE/SELECT \wedge] vyberte „Yes“ (Ano) a potom stiskněte [ENTER].
Pro zrušení vyberte „No“ (Ne).



Nastavení systému

Zobrazení systémové nabídky

V režimu DAB

- 1 Stiskněte [MENU].
- 2 Otočením [V TUNE/SELECT ^] vyberte „System“ (Systém) a potom stiskněte [ENTER].

V režimu FM

Stiskněte [MENU].

Procházení nabídek

Otočením [V TUNE/SELECT ^] vyberte položku nebo možnost. Stiskněte [ENTER] pro potvrzení.

Příklad: Zobrazí se nastavení podsvícení

⊙ 12:05 Timeout <10 sec >	⊙ 12:05 Timeout <On >
---------------------------------	-----------------------------

Označuje aktuální nastavení

Alarm (Budíku)	<p>Zobrazí se průvodce nastavením budíku.</p> <ul style="list-style-type: none"> • Alarm (Budíku): On (Zapnuto), Off (Vypnuto) Vyberte „On“ pro zapnutí budíku. • On time (Přesně): Nastavte hodiny a minuty času zapnutí. • Source (Zdroj): Buzzer (Bzučák), DAB, FM Nastavte zdroj zvuku. Při nastaveném režimu FM nebo DAB vyberte poslední naladěnou stanici („Last listened“) nebo předvolenou stanici jako zdroj zvuku. • Nastavení hlasitosti Budík spustí přehrávání s nízkou hlasitostí, která se bude postupně zvyšovat na nastavenou úroveň. Po nastavení budíku se zobrazí „O“. <p>Poznámka:</p> <ul style="list-style-type: none"> • Budík nefunguje, když je přístroj napájen bateriemi. • Zkontrolujte správnost nastavení data a času, jinak budík nemusí fungovat podle vašich představ. • Budík se spustí každý den v nastavený čas a bude trvat 90 minut. Budík zastavíte stiskem libovolného tlačítka nebo otočením knoflíku. • Při každém odpojení, resp. připojení síťového napájení (AC) nebo po výměně baterií je budík zapotřebí znovu nastavit.
Sleep (Spánek)	<p>Časovač vypnutí vypne přístroj po uplynutí nastavené doby (v minutách). Sleep Off (Funkce vypnuta), 30 minutes, 60 minutes, 90 minutes, 120 minutes Zobrazí se „SLEEP“.</p>
Equaliser (Ekvalizér)	<p>Flat (Plochý), Heavy (Výrazný), Soft (Měkký), Clear (Jasný), Vocal (Vokální) Zobrazí se „EQ“.</p>

Time (Čas)	<p>Čas a datum se aktualizují automaticky prostřednictvím vysílání DAB/RDS (je-li k dispozici). Čas a datum můžete rovněž nastavit ručně v nabídce času. Přístroj ukazuje čas ve formátu 24 hodin.</p> <ul style="list-style-type: none"> • Set time (Nastavte čas): Nastavte hodiny a minuty. • Set date (Nastavení data): Nastavte den, měsíc a rok.
Backlight (Podsvícení)	<ul style="list-style-type: none"> • 10 sec (10 s): Podsvícení se vypne po 10 sekundách nečinnosti. • On (Zapnuto): Podsvícení je vždy zapnuté.
Language (Jazyk)	<p>Můžete změnit jazyk zobrazovaný na panelu displeje. English, Italiano, Deutsch, Français</p>
Factory Reset (Tovární resetování)	<p>Yes (Ano), No (Ne) Vyberte „Yes“ pro resetování přístroje na výchozí tovární nastavení.</p>

Odstraňování závad

Všeobecně

Zvuk je nevyvážený nebo se neozývá žádný zvuk.

- Nastavte hlasitost.
- Zkontrolujte a upravte nastavení antény.
- Přesuňte přístroj na jiné místo a znovu proveďte úplné vyhledávání.
- V blízkosti kabely je vedení síťového napájení (AC) nebo zářivkové osvětlení. Udržujte ostatní zařízení a kabely v dostatečné vzdálenosti od kabelů tohoto přístroje.

Příjem signálu je slabý nebo je slyšet dunění.

- Neumístujte anténu do blízkosti počítačů, televizorů a jiných kabelů. Dochází-li k zjevnému rušení, umístěte mobilní telefony na jiné místo.

Zprávy

- „Service not available“ (Služba není k dispozici)
- Žádný příjem DAB.

„No DAB station“ (Žádná stanice DAB)

- Není k dispozici žádná stanice DAB.
- Zkontrolujte anténu.
- Přesuňte přístroj na jiné místo a znovu proveďte úplné vyhledávání.

„Time Not saved“ (Čas neuložen)

- Změny času nebyly uloženy, provedené změny budou ztraceny.

„Alarm Not saved“ (Budík neuložen)

- Změny budíku nebyly uloženy, provedené změny budou ztraceny.

Specifikace

Napájení	
Síť	AC 230 V, 50 Hz
Baterie	DC 6 V (4 x R14/LR14, C)
Spotřeba	7 W
Frekvenční rozsah	
FM	87,50 MHz až 108,00 MHz (Kroky po 50 kHz)
DAB/DAB+ BAND III	5A až 13F (174,928 MHz až 239,200 MHz)

Výstup	
Sluchátka	Stereo, 3,5 mm (16 Ω)

Reproduktor	
Plný rozsah	10 cm (4 Ω)

Výstupní výkon	2 W (Efektivní hodnota 10% THD)
-----------------------	---------------------------------

Životnost baterie

Zdroj napájení	Manganová baterie R14	Alkalická baterie LR14
FM	cca 9 hod	cca 30 hod
DAB/DAB+	cca 12 hod	cca 40 hod

Rozměry (Š x V x H)	251 mm x 138 mm x 91 mm
----------------------------	-------------------------

Hmotnost	
S bateriemi	1,3 kg
Bez baterií	1,0 kg

Rozsah provozních teplot	0°C až +40°C
---------------------------------	--------------

Rozsah provozní vlhkosti	35% až 80% relativní (bez kondenzace)
---------------------------------	---------------------------------------

Spotřeba v pohotovostním režimu	0,6 W (přibližně)
--	-------------------

Poznámka:
Technické údaje podléhají změnám bez předchozího upozornění. Hmotnost a rozměry jsou přibližné.

Likvidace odpadu z elektrických a elektronických zařízení a baterií Platí pouze pro Evropskou unii a země se zavedenými recyklačními systémy



Tyto symboly na výrobcích, obalech nebo v průvodní dokumentaci znamenají, že použitá elektrická a elektronická zařízení a baterie nepatří do běžného domácího odpadu. Správná likvidace, recyklace a opětovné použití jsou možné, jen pokud odevzdáte stará zařízení a použité baterie na sběrných místech v souladu s platnými národními předpisy.

Správnou likvidací pomůžete šetřit cenné zdroje a předcházet možným negativním účinkům na lidské zdraví a na životní prostředí.

Další informace o sběru a recyklaci vám poskytnou místní úřady.

Při nesprávné likvidaci odpadu vám hrozí pokuta v souladu s národní legislativou a místními předpisy.



Poznámka k symbolu baterie (symbol dole):
Tento symbol může být použit v kombinaci s chemickým symbolem. V tomto případě splňuje tento symbol legislativní požadavky, které jsou předepsány pro chemickou látku obsaženou v baterii.

ČESKY

Säkerhetsföreskrifter

VARNING!

Enhet

- För att reducera risken för brand, elektrisk stöt eller produktskada:
 - Utsätt inte den här apparaten för regn, fukt, droppar eller skvätt.
 - Placera inga föremål fyllda med vätska, som t.ex. vaser, på denna enhet.
 - Använd endast rekommenderade tillbehör.
 - Avlägsna inte höljen.
 - Försök inte reparera denna enhet på egen hand. Låt utbildad servicepersonal utföra service och reparationer.

AC-strömsladd

- Strömkontakten är urkopplingsenheten. Installera denna enhet så att strömkontakten kan kopplas ur från uttaget direkt.

FÖRSIKTIGHET!

Enhet

- Det kan inträffa att den här enheten under användningen tar emot radiostörningar, orsakade av mobiltelefoner. Öka avståndet mellan enheten och mobiltelefonen om störningarna är uppenbara.

Batteri

- Explosionsrisk förekommer om batteriet inte sätts i korrekt. Ersätt endast med sort som rekommenderas av tillverkaren.
- När du gör dig av med batterierna, var god kontakta dina lokala myndigheter eller din lokala återförsäljare och fråga efter rätt metod för avfallshandling.
- Värm inte upp och utsätt inte batteriet för öppen eld.
- Lämna inte batteriet(/erna) i en bil som utsätts för direkt solljus under en längre period med dörrar och fönster stängda.
- Bryt inte upp och kortslut inte batteriet.
- Återuppladda inte alkaliskt batteri eller brunstens-batteri.
- Använd inte batteriet om höljet skalats av.
- Avlägsna batteriet om du inte använder enheten under en längre period eller om enheten ska drivas av endast AC-ström. Förvara på en sval, mörk plats.

Små föremål

- Rattarna (t.ex. [VOLUME]-ratten) kan lossna om den dras hårt. För att förhindra barn från att svälja ratten, dra inte av den.

Medföljande tillbehör

Var god kontrollera och pricka av de medföljande tillbehören.

- 1 AC-strömsladd

Innehållsförteckning

Säkerhetsföreskrifter	2
Medföljande tillbehör	2
Beskrivning av kontrollerna	3
Strömkällor	4
Komma igång	4
DAB	4
FM-radio	5
Systeminställningar	6
Felsökningsschema	6
Specifikationer	7

Denna produkt innefattar följande programvara:

- (1) Programvaran utvecklad oberoende av eller för Panasonic Corporation,
- (2) Programvaran ägd av tredje part och licensierad till Panasonic Corporation, och/eller
- (3) Open source-programvara

Programvaran kategoriserad som (3) distribueras i hopp om att den ska bli användbar, men UTAN NÅGON GARANTI, utan ens indirekt garanti för SÄLJBARHET eller LÄMPLIGHET FÖR ETT SÄRSKILT ÄNDAMÅL. Var god se de detaljerade villkoren kring detta nedan.

This software is copyright 2008 Simon Tatham.

Permission is hereby granted, free of charge, to any person obtaining a copy of this software and associated documentation files (the "Software"), to deal in the Software without restriction, including without limitation the rights to use, copy, modify, merge, publish, distribute, sublicense, and/or sell copies of the Software, and to permit persons to whom the Software is furnished to do so, subject to the following conditions:

The above copyright notice and this permission notice shall be included in all copies or substantial portions of the Software.

THE SOFTWARE IS PROVIDED "AS IS", WITHOUT WARRANTY OF ANY KIND, EXPRESS OR IMPLIED, INCLUDING BUT NOT LIMITED TO THE WARRANTIES OF MERCHANTABILITY, FITNESS FOR A PARTICULAR PURPOSE AND NONINFRINGEMENT. IN NO EVENT SHALL THE COPYRIGHT HOLDERS BE LIABLE FOR ANY CLAIM, DAMAGES OR OTHER LIABILITY, WHETHER IN AN ACTION OF CONTRACT, TORT OR OTHERWISE, ARISING FROM, OUT OF OR IN CONNECTION WITH THE SOFTWARE OR THE USE OR OTHER DEALINGS IN THE SOFTWARE.

Beskrivning av kontrollerna

Bild framifrån

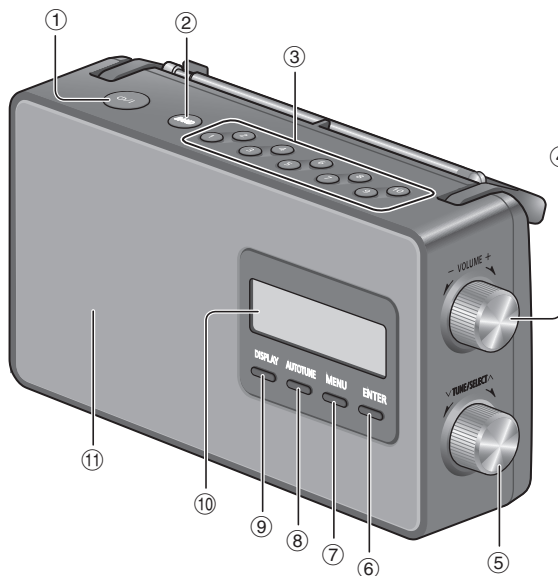
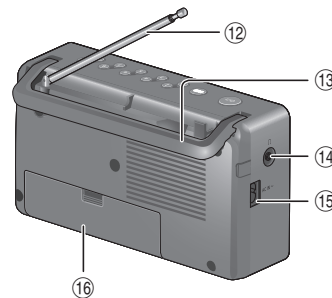


Bild bakifrån

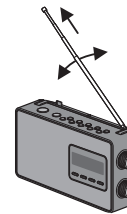
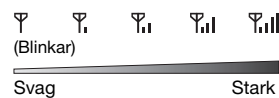


SVENSKA

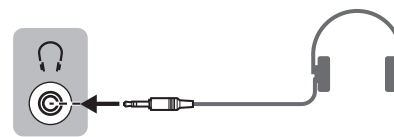
- ① **Strömställare standbyläge/på** [⏻/⏻]
Tryck på knappen för att ställa apparaten i standbyläge då den är på, eller tvärtom. Apparaten förbrukar en aning ström även när den står i standbyläge.
- ② Välj FM- eller DAB-radio
- ③ Direktförvalsknappar
- ④ Justera volymen
- ⑤ Välj önskad frekvens i manuell inställning
Visa tillgängliga alternativ
- ⑥ Bekräfta ett alternativ
- ⑦ Visa tillgänglig meny
- ⑧ Automatisk inställning för FM-stationer
- ⑨ Visa tillgänglig information
- ⑩ Displaypanel
- ⑪ **Högtalare (mono)**
Högtalaren är inte magnetiskt avskärmad. Placera inte denna enhet nära TV-apparater, datorer eller andra apparater som lätt påverkas av magnetism.

- ⑫ **Antenn**
Förläng antennen, justera längden, vinkeln och riktningen för bästa mottagning.

Signalstyrkeindikator



- ⑬ Handtag
- ⑭ **Hörlursuttag**



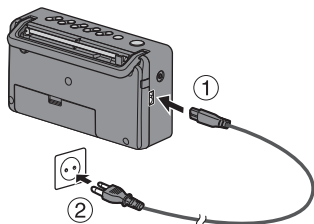
Typ av kontaktplugg: Ø 3,5 mm stereo (medföljer ej)
 - För starkt ljudtryck från öronsnäckor och hörlurar kan orsaka hörselskador.
 - Lyssning på full volym under längre perioder kan skada användarens öron.

- ⑮ AC IN-uttag
- ⑯ Batterifack

Strömkällor

Använda hushållet nätuttaget

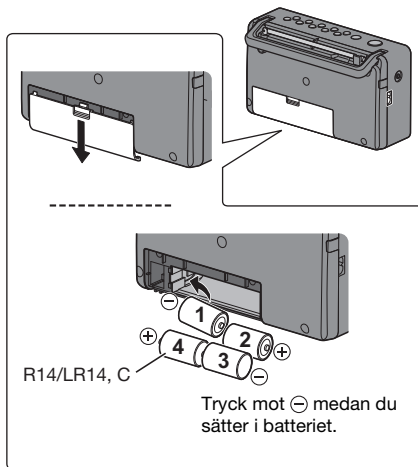
Anslut AC-strömssladden ordentligt i enheten och nätuttaget.



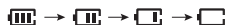
Observera:

- Använd inte en AC-strömssladd från någon annan utrustning.
- Denna enhet förbrukar en liten mängd ström när den är i standbyläge. Koppla ur strömförsörjningen om du inte använder enheten.

Att använda batterierna (medföljer ej)



Använd alkaliska eller brunstens-batterier. Sätt i batterierna så att polerna (+ och -) är riktade med dem i enheten. I denna enhet används batterier som strömkälla om du kopplar ur AC-strömssladden. Batteriindikatorn tänds. Batteriindikatorn visar batterinivåerna.



Observera:

- Enheten sätts på efter att du satt i batterierna.
- När batteriindikatorn "☐" börjar blinka ska alla 4 batterierna bytas ut.
- Efter att batteriindikatorn blinkat i 10 sekunder stängs enheten av automatiskt.

Komma igång

- 1 Förlänga antennen.
- 2 Tryck på [ON] för att sätta på enheten.

Första gången du sätter på enheten går den in i DAB-läge och söker automatiskt efter stationer. Den ställer in tiden och datumet (om data finns tillgängliga) och börjar spela upp den första stationen den hittar.



Observera:

I standbyläge visar enheten tiden och datumet (endast när enheten drivs med AC-ström).

DAB

DAB (Digital Audio Broadcasting) är en procedur för att sända radion digitalt. Det ger mindre störningar och bättre ljudkvalitet.

Denna enhet stöder DAB i "BAND III"-band.

DAB-användning

Första gången du går in i DAB-läge, eller om stationslistan är tom, börjar enheten den fulla sökningen och minneslagrar stationerna.

Du kan göra den fulla sökningsproceduren om det finns en ny station eller om en station blir tillgänglig.

- 1 Tryck på [BAND] för att välja "DAB".
- 2 Tryck på [MENU] för att välja "Full scan" (Full sökning) och tryck sedan på [ENTER] för att starta full sökning. För att avbryta, tryck på [MENU].

Ta bort otillgängliga listade stationer

Denna enhet indikerar de stationer som är stängda eller inte längre tillgängliga med ett frågetecken framför stationsnamnet. Du kan ta bort dessa stationer från stationslistan.

- 1 Tryck på [MENU] och vrid sedan [V TUNE/SELECT ^] för att välja "Prune" (Beskär).
- 2 Tryck på [ENTER].
- 3 Vrid [V TUNE/SELECT ^] för att välja "Yes" (Ja) och tryck sedan på [ENTER]. För att avbryta, välj "No" (Nej).



Systeminställningar

För att visa systemmenyn

I DAB-läge

- 1 Tryck på [MENU].
- 2 Vrid [V TUNE/SELECT Λ] för att välja "System" och tryck sedan på [ENTER].

I FM-läge

Tryck på [MENU].

För att navigera runt i menyn

Vrid [V TUNE/SELECT Λ] för att välja en post eller ett alternativ. Tryck på [ENTER] för att bekräfta.

Exempel: Inställningsdisplayer för bakgrundsbelysning



Indikerar aktuell inställning

Alarm	<p>Alarmsguiden visas.</p> <ul style="list-style-type: none"> • Alarm: On (På), Off (av) Välj "On" för att sätta på alarmet. • On time (Påtid): Ställ in timmarna och minuterna för starttid. • Source (Källa): Buzzer (Summer), DAB, FM Ställ in ljudkälla. Om FM eller DAB är inställt, välj den senaste stationen du sökte upp ("Last listened") eller en förvaldsstation som ljudkällan. • Ställ in volym Alarmet startar på en låg volym och höjs gradvis till den förinställda nivån. <p>"⊖" visas efter att du ställt in alarmet.</p> <p>Observera:</p> <ul style="list-style-type: none"> • Alarmet fungerar inte om enheten drivs av batterier. • Kontrollera så att datumet och tiden är korrekt inställda, då alarmet annars kanske inte fungerar så som önskas. • Alarmet sätts på vid den inställda tiden varje dag under en 90-minutersperiod. Tryck på vilken knapp som helst eller vrid vilket jogreglage som helst för att stoppa alarmet. • Du behöver ställa in alarmet igen varje gång du kopplar ur och ansluter AC-strömmen, eller efter att du bytt ut batterierna.
Sleep (Insomning)	<p>Insomningstimern stänger av enheten efter den inställda tiden (i minuter). Sleep Off (Insomning av), 30 minutes, 60 minutes, 90 minutes, 120 minutes "SLEEP" visas.</p>
Equaliser (Equalizer)	<p>Flat (Platt), Heavy (tung), Soft (mjuk), Clear (klar), Vocal (röst) "EQ" visas.</p>

Time (Tid)	<p>Tid- och datuminformationen uppdateras automatiskt med DAB-/RDS-sändningen (om tillgängligt). Du kan även ställa in tiden och datumet manuellt med tidsmenyn. Klockan har 24-timmarsvisning.</p> <ul style="list-style-type: none"> • Set time (Ställ in tiden): Ställ in timmarna och minuterna. • Set date (Ställ in datumet): Ställ in dag, månad och år.
Backlight (Bakgrundsbelysning)	<ul style="list-style-type: none"> • 10 sec (10 sek): Bakgrundsbelysningen stängs av efter 10 sekunders inaktivitet. • On (På): Bakgrundsbelysningen är alltid på.
Language (Språk)	<p>Du kan ändra displaypanelens språk. English, Italiano, Deutsch, Français</p>
Factory Reset (Fabriksåterställning)	<p>Yes (Ja), No (Nej) Välj "Yes" för att återställa enheten till fabriksinställning.</p>

Felsökningsschema

Allmänt

Ljudet förvrängs eller inget ljud hörs.

- Justera volymen.
- Kontrollera och justera antennen.
- Flytta enheten till en annan plats och gör en full sökning igen.
- En AC-strömsladd eller ett fluorescerande ljus finns i närheten av kablarna. Håll andra apparater och sladdar på avstånd från denna enhets kablar.

Mottagningen är svag eller ett dunkande ljud hörs.

- Håll antennen borta från datorer, TV-apparater, andra kablar och sladdar. Flytta på mobiltelefoner så att de befinner sig borta från enheten om störningar uppstår.

Meddelanden

"Service not available" (Tjänst ej tillgänglig)

- Ingen DAB-mottagning.

"No DAB station" (Ingen DAB-station)

- Ingen DAB-station tillgänglig.
- Kontrollera antennen.
- Flytta enheten till en annan plats och gör en full sökning igen.

"Time Not saved" (Tiden är inte sparad)

- Ändringarna som gjorts för tiden sparades inte, så ändringarna kommer att förloras.

"Alarm Not saved" (Alarmet är inte sparad)

- Ändringarna som gjorts för alarmet sparades inte, så ändringarna kommer att förloras.

Specifikationer

Nätdel

Växelström Växelström 230 V, 50 Hz
Batteri Likström 6 V (4 x R14/LR14, C)

Effektförbrukning 7 W

Frekvensomfång

FM 87,50 MHz till 108,00 MHz (50 kHz-steg)
DAB/DAB+ BAND III
5A till 13F (174,928 MHz till 239,200 MHz)

Uttag

Hörlurar Stereo, 3,5 mm (16 Ω)

Högtalare

Full räckvidd 10 cm (4 Ω)

Spårsystem 2 W (RMS 10% THD)

Batterilivslängd

Strömkälla	Brunstensbatteri R14	Alkaliskt LR14-batteri
FM	Ungefär 9 tim	Ungefär 30 tim
DAB/DAB+	Ungefär 12 tim	Ungefär 40 tim

Yttermått (B x H x D) 251 mm x 138 mm x 91 mm

Vikt

Med batterier 1,3 kg
Utan batterier 1,0 kg

Temperaturområde för drift 0°C till +40°C

Luffuktighetsområde för drift

35% till 80% RH (ingen kondens)

Effektförbrukning i standbyläge

0,6 W (ungefär)

Observera:

Tekniska data kan ändras utan föregående meddelande.
Angivna vikter och mått är ungefärliga.

Avfallshantering av gammal utrustning och batterier Endast för Europeiska Unionen och länder med återvinningssystem



Dessa symboler på produkter, förpackningar och/eller medföljande dokument betyder att man inte får blanda elektriska och elektroniska produkter eller batterier med vanliga hushållssopor.



För att gamla produkter och använda batterier ska hanteras och återvinnas på rätt sätt ska man ta dem till passande uppsamlingsställe i enlighet med nationella bestämmelser.

När du kasserar dem på rätt sätt hjälper du till att spara på värdefulla resurser och förebygga en potentiell negativ inverkan på människors hälsa och på miljön.

För mer information om uppsamling och återvinning var god kontakta din kommun. Olämplig avfallshantering kan beläggas med straff i enlighet med nationella bestämmelser.



Notering till batterisymbolen (bottensymbol):

Denna symbol kan användas i kombination med en kemisk symbol. I detta fall iakttar den de krav som ställs upp i direktivet för den aktuella kemikalien.

SVENSKA

Sikkerhetsanvisninger

ADVARSEL!

Apparat

- For å redusere faren for brann, elektrisk støt eller skade på apparatet:
 - Dette apparatet må ikke utsettes for regn, fuktighet, drypp eller sprut.
 - Ikke plasser objekter som er fylt med væske, som vaser, på apparatet.
 - Bruk kun anbefalt tilbehør.
 - Fjern ikke deksler.
 - Dette apparatet må ikke repareres på egen hånd. Overlat servicearbeider til kvalifisert servicepersonell.

Vekselstrømledning

- Støpselet er frakoblende enhet. Strømuttaket må finne seg i nærheten slik at støpselet lett kan kobles ut fra uttaket umiddelbart.

FORSIKTIG!

Apparat

- Denne enheten kan være utsatt for radiointerferens fra mobiltelefoner under bruk. Dersom det oppstår slik interferens, økes avstanden mellom denne enheten og mobiltelefonen.

Batteri

- Eksplosjonsfare dersom batteriet settes inn på feil måte. Bytt bare ut med samme eller tilsvarende type, anbefalt av produsenten.
- Ved kassasjon av batterier kontaktes lokale myndigheter eller forhandler for å spørre om korrekt kassasjonsmåte.
- Må ikke varmes eller utsettes for åpen ild.
- Batteriet/batteriene må ikke forlates i en bil som utsettes for direkte sollys i lengre perioder når dører og vinduer er lukket.
- Batteriet må ikke åpnes eller kortsluttes.
- Alkaliske eller mangan-batterier må ikke lades.
- Batteriet må ikke brukes dersom dekselet er falt av.
- Fjern batteriet dersom du ikke skal bruke apparatet i en lengre periode eller dersom apparatet bare skal brukes med vekselstrøm. Oppbevares i et kjølig, mørkt område.

Små objekter

- Knottene (eksempelvis [VOLUME] -knotten) kan løse hvis man trekker hardt i den. For å forhindre at barn svelger knotten, ikke dra den av.

Medfølgende tilbehør

Kontroller og identifiser medfølgende tilbehør.

- 1 Vekselstrømledning

Innholdsfortegnelse

Sikkerhetsanvisninger	2
Medfølgende tilbehør	2
Oversikt over betjeningselementer	3
Strømkilder	4
Komme i gang	4
DAB	4
FM-radio	5
Systeminnstillinger	6
Feilsøking	6
Spesifikasjoner	7

Dette produktet inneholder følgende programvare:

- (1) Programvaren utviklet uavhengig av eller for Panasonic Corporation,
- (2) Programvaren eid av tredjepart og lisensiert til Panasonic Corporation, og/eller
- (3) Programvare med åpen kildekode

Programvaren kategorisert som (3) er distribuert i håp om at den vil være nyttig, men UTEN NOEN GARANTI, ikke engang implisitt garanti om SALGBARHET eller EGNETHET FOR ET BESTEMT FORMÅL. Se de detaljerte vilkår og betingelser derav vist nedenfor.

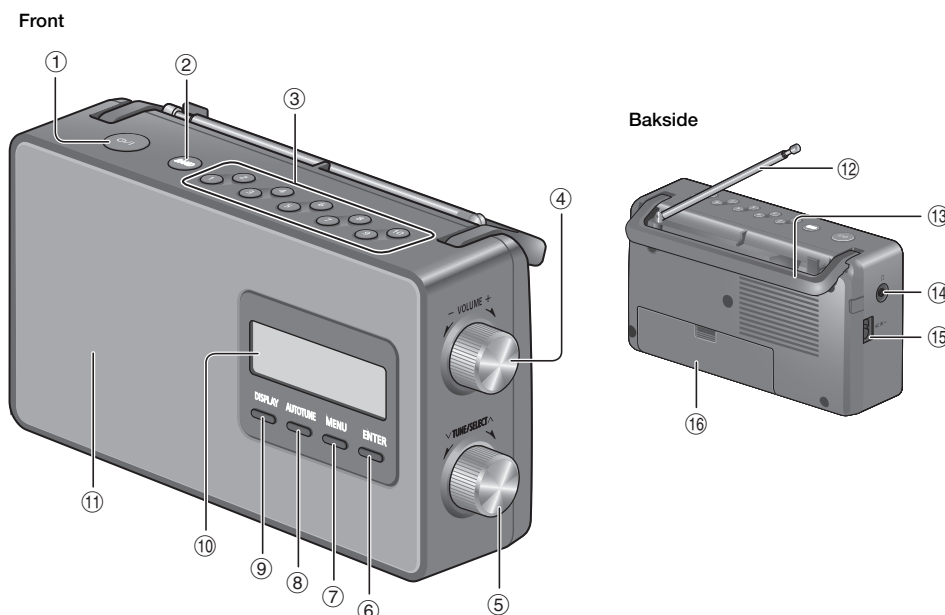
This software is copyright 2008 Simon Tatham.

Permission is hereby granted, free of charge, to any person obtaining a copy of this software and associated documentation files (the "Software"), to deal in the Software without restriction, including without limitation the rights to use, copy, modify, merge, publish, distribute, sublicense, and/or sell copies of the Software, and to permit persons to whom the Software is furnished to do so, subject to the following conditions:

The above copyright notice and this permission notice shall be included in all copies or substantial portions of the Software.

THE SOFTWARE IS PROVIDED "AS IS", WITHOUT WARRANTY OF ANY KIND, EXPRESS OR IMPLIED, INCLUDING BUT NOT LIMITED TO THE WARRANTIES OF MERCHANTABILITY, FITNESS FOR A PARTICULAR PURPOSE AND NONINFRINGEMENT. IN NO EVENT SHALL THE COPYRIGHT HOLDERS BE LIABLE FOR ANY CLAIM, DAMAGES OR OTHER LIABILITY, WHETHER IN AN ACTION OF CONTRACT, TORT OR OTHERWISE, ARISING FROM, OUT OF OR IN CONNECTION WITH THE SOFTWARE OR THE USE OR OTHER DEALINGS IN THE SOFTWARE.

Oversikt over betjeningselementer

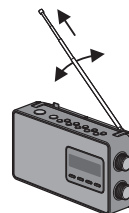
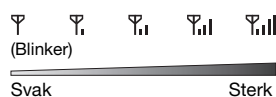


NORSK

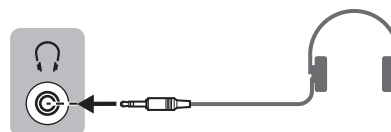
- ① **Bryter standby/på [⏻/⏻]**
Trykk for å veksle apparatet fra på til standby-modus eller omvendt. I standby-modus bruker apparatet fortsatt en liten mengde strøm.
- ② Velg FM- eller DAB-radio
- ③ Direktevalg-knapper
- ④ Juster volumet
- ⑤ Velg ønsket frekvens ved manuell innstilling
Vis tilgjengelige alternativer
- ⑥ Bekreft et alternativ
- ⑦ Vis tilgjengelig meny
- ⑧ Automatisk innstilling for FM-stasjoner
- ⑨ Vis tilgjengelig informasjon
- ⑩ Display
- ⑪ **Høytaler (mono)**
Høytaleren har ikke magnetisk skjerming. Dette apparatet må ikke plasseres i nærheten av TV-er, PC-er eller annet utstyr som påvirkes lett av magnetisme.

- ⑫ **Antenne**
Trekk ut antennen, juster lengden, vinkelen og retningen for best mulig mottak.

Signalstyrke-indikator



- ⑬ Håndtak
- ⑭ **Plugg for hodetelefoner**



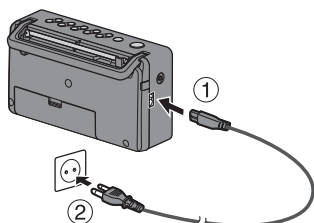
- Pluggtype: Ø 3,5 mm stereo (medfølger ikke)
- For høyt lydnivå fra øretelefoner og hodetelefoner kan forårsake hørselsskade.
- Bruk av fullt volum i lengre perioder kan skade brukerens hørsel.

- ⑮ AC IN tilkoblingspunkt
- ⑯ Batterirom

Strømkilder

Bruke elektrisk kontakt i huset

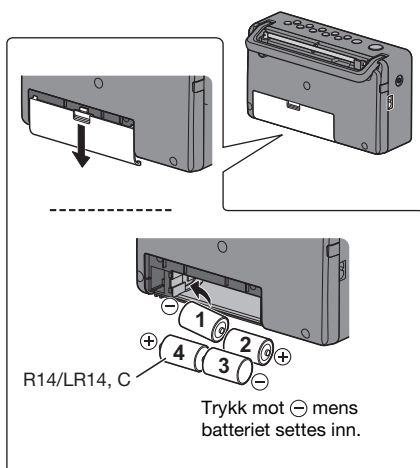
Sett vekselstrømledningen helt inn i apparatet og i den elektriske kontakten i huset.



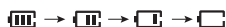
Merknad:

- Det må ikke brukes vekselstrømledninger fra annet utstyr.
- Apparatet bruker litt strøm når det er i standby-modus. Koble fra strømtilførselen når apparatet ikke er i bruk.

Bruke batterier (medfølger ikke)



Bruk alkaliske eller mangan-batterier. Monter batteriene slik at polene (+ og -) stemmer med polene på apparatet. Dette apparatet bruker batteriene som strømkilde når du kobler fra vekselstrømledningen. Batteriindikatoren tennes. Batteriindikatoren viser batterinivåene.



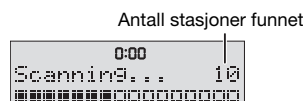
Merknad:

- Enheten slår seg på etter at du setter i batteriene.
- Når batteriindikatoren "□" begynner å blinke, skiftes alle 4 batteriene.
- Enheten vil slå seg av automatisk etter at batteriindikatoren har blinket i 10 sekunder.

Komme i gang

- 1 Trekk ut antennen.
- 2 Trykk [P/I] for å slå på apparatet.

Den første gangen du slår på apparatet vil det gå i DAB-modus og automatisk skanne for stasjoner. Det innstiller klokkeslett og dato (hvis data er tilgjengelig) og starter aspilling av den første stasjonen den finner.



Merknad:

I standby-modus viser enheten tid og dato (kun når enheten er strømført med AC).

DAB

DAB (Digital Audio Broadcasting) er en prosedyre for digital kringkasting av radiosignaler. Den gir mindre interferens og bedre lyd kvalitet. Dette apparatet støtter DAB i "BAND III"-bånd.

DAB-funksjoner

Den første gangen du går i DAB-modus, eller når stasjonslisten er tom, vil apparatet starte full skanning og lagre stasjonene. Du kan gjennomføre den fulle skanneprosedyren når det kommer en ny stasjon eller når en stasjon blir tilgjengelig.

- 1 Trykk på [BAND] for å velge "DAB".
- 2 Trykk [MENU] for å velge "Full scan" (Full skanning) og trykk deretter [ENTER] for å starte full skanning. Trykk [MENU] for å avbryte.

Fjern utilgjengelige oppførte stasjoner

Dette apparatet viser de stasjonene som er stengt eller som ikke lenger er tilgjengelige med et spørsmålstegn foran stasjonsnavnet. Du kan fjerne disse stasjonene fra stasjonslisten.

- 1 Trykk [MENU] og vri deretter [V TUNE/SELECT ^] for å velge "Prune" (Klippe ut).
- 2 Trykk på [ENTER].
- 3 Vri [V TUNE/SELECT ^] for å velge "Yes" (Ja) og trykk deretter [ENTER]. Velg "No" (Nei) for å avbryte.



Lytting til en stasjon

- 1 Vri [V TUNE/SELECT ^] for å velge en stasjon fra stasjonslisten.
- 2 Trykk [ENTER] for å innstille den valgte stasjonen.

Merknad:

"**V**" viser en sekundær stasjonstjeneste. Sekundære stasjonstjenester er alltid oppført ved siden av sin primærstasjon i stasjonslisten.

Forhåndsinnstilling av stasjoner

Du kan forhåndsinnstille opp til 10 stasjoner i direktevalg-knappene.

- 1 Trykk og hold den ønskede direktevalg-knappen ([1] til [10]) når du hører en stasjon.
Eksempel: Trykk og hold [2] for å lagre den aktuelle stasjonen i forhåndsinnstilling 2.

Press ENTER key
Preset 2

- 2 Trykk [ENTER] for å forhåndsinnstille stasjonen.

Lytting til en forhåndsinnstilt stasjon

Trykk direktevalg-knappen ([1] til [10]) for å høre på den forhåndsinnstilte stasjonen.

Manuell innstilling

Du kan utføre manuell innstilling til en bestemt kanal eller frekvens. Dette kan være nyttig når du skal justere antennen for å motta best mulige signaler og skanne en bestemt kanal for å oppdatere stasjonslisten.

- 1 Trykk på [MENU].
- 2 Vri [V TUNE/SELECT ^] for å velge "Manual tune" (Manuell innstilling) og trykk deretter [ENTER].
- 3 Vri [V TUNE/SELECT ^] for velge en frekvens eller kanal og trykk deretter [ENTER].
Displayet viser den mottatte signalstyrken for den valgte frekvensen. Juster antennen for å oppnå best mulig mottak.

59 174.928MHz
Terskelindikator

Juster antennen slik at den mottatte signalstyrken (fylte firkanter) overstiger terskelindikatoren.

Visning av tilgjengelig informasjon

Du kan se forskjellig informasjon om DAB-kringkasting, som for eksempel dynamisk merkeinformasjon (hvis tilgjengelig), signalstyrke, programtype, artistnavn, kanalnummer, bit-hastighet, DAB-variant og dato.

Trykk på [DISPLAY] for å vise tilgjengelig informasjon. Trykk og hold [DISPLAY] for å vise standard-displayet.

FM-radio

- 1 Trykk [BAND] for å velge "FM".
- 2 Trykk [AUTOTUNE] for å innstille en stasjon.

87.55MHz
Scanning...

Apparatet stanser innstillingen når den finner en stasjon.

Trykk [AUTOTUNE] en gang til for å innstille den neste stasjonen.

Manuell innstilling

Trykk [V TUNE/SELECT ^] for å innstille den ønskede stasjonen.

Forhåndsinnstilling av stasjoner

Du kan forhåndsinnstille opp til 10 stasjoner i direktevalg-knappene.

De fem første stasjonene er forhåndsinnstilt med en standardfrekvens for enkelhets skyld.

- 1 Trykk og hold den ønskede direktevalg-knappen ([1] til [10]) når du hører en stasjon.
- 2 Trykk [ENTER] for å forhåndsinnstille stasjonen.

Lytting til en forhåndsinnstilt stasjon

Trykk direktevalg-knappen ([1] til [10]) for å høre på den forhåndsinnstilte stasjonen.

Visning av tilgjengelig informasjon

Du kan se informasjon om radiostasjonen, som for eksempel RDS-tekst (tilgjengelig i noen områder), frekvens og dato.

Trykk på [DISPLAY].

Merknad:

RDS vil kanskje ikke være tilgjengelig hvis mottaket er dårlig.

Systeminnstillinger

Vise System-menyen

I DAB-modus

- 1 Trykk på [MENU].
- 2 Vri [V TUNE/SELECT ^] for å velge "System" og trykk deretter [ENTER].

I FM-modus

Trykk på [MENU].

For å navigere i menyen

Vri [V TUNE/SELECT ^] for å velge et element eller alternativ. Trykk på [ENTER] for å bekrefte.

Eksempel: Innstilling av bakgrunnslys i display



Viser nåværende innstilling

Alarm	<p>Alarm-veiviseren vises.</p> <ul style="list-style-type: none"> • Alarm: On (På), Off (Av) Velg "On" for å slå på alarmen. • On time (Aktiv tid): Still inn timer og minutter for starttid. • Source (Kilde): Buzzer (Summer), DAB, FM Still inn lydilden. Hvis FM eller DAB er innstilt, velges den sist brukte stasjonen ("Last listened") eller en forhåndsinnstilt stasjon som lydkilde. • Stille inn volumet Alarmen starter med et lavt volum og øker gradvis til det forhåndsinnstilte nivået. <p>"⏏" vises etter du har stilt alarmen.</p> <p>Merknad:</p> <ul style="list-style-type: none"> • Alarmen virker ikke når apparatet brukes med batterier. • Kontroller at datoen og tiden er stilt riktig, ellers kan det hende alarmen ikke fungerer som ønsket. • Alarmen høres på det innstilte klokkeslettet hver dag med en varighet på 90 minutter. Trykk på hvilken som helst knapp eller vri på hvilken som helst knott for å stoppe alarmen. • Du må stille alarmen igjen hver gang du kobler fra og til AC-strømkabelen, eller etter du har byttet ut batteriene.
Sleep (Hvilemodus)	<p>Tidsstyring for hvilemodus slår av apparatet etter den innstilte tiden (i minutter).</p> <p>Sleep Off (Hvilemodus Av), 30 minutes, 60 minutes, 90 minutes, 120 minutes "SLEEP" vises.</p>
Equaliser	<p>Flat (Flat), Heavy (Tung), Soft (Myk), Clear (Klar), Vocal (Stemme) "EQ" vises.</p>

Time (Tid)	<p>Informasjon om klokkeslett og dato oppdateres automatisk med DAB-/RDS-kringkasting (hvis tilgjengelig). Du kan også innstille klokkeslett og dato manuelt med Tid-menyen. Dette er en 24-timers klokke.</p> <ul style="list-style-type: none"> • Set time (Still inn klokkeslett): Still inn timer og minutter. • Set date (Still inn dato): Still inn dag, måned og år.
Backlight (Bakgrunnslys)	<ul style="list-style-type: none"> • 10 sec (10 sek.): Bakgrunnslyset slås av etter 10 sekunder uten aktivitet. • On (På): Bakgrunnslyset er på hele tiden.
Language (Språk)	<p>Du kan endre språket i displayet. English, Italiano, Deutsch, Français</p>
Factory Reset (Tilbakestilling til fabrikkinnstilling)	<p>Yes (Ja), No (Nei) Velg "Yes" for å tilbakestille apparatet til standard fabrikkinnstillinger.</p>

Feilsøking

Generelt

Lyden er forvrengt eller ingen lyd.

- Juster volumet.
- Kontroller og juster antennen.
- Flytt apparatet til et annet sted og gjennomfør en full skanning igjen.
- En vekselstrømledning eller et lysrør er i nærheten av ledningene. Hold utstyr og ledninger borte fra ledningene til dette apparatet.

Dårlig mottak eller bankelyder høres.

- Hold antennen borte fra datamaskiner, TV-er eller kabler og ledninger. Flytt mobiltelefoner vekk fra apparatet dersom det er tydelig interferens.

Meldinger

"Service not available" (Tjenesten er ikke tilgjengelig)

- Ingen DAB-signaler.

"No DAB station" (Ingen DAB-stasjon)

- Ingen DAB-stasjon tilgjengelig.
- Kontroller antennen.
- Flytt apparatet til et annet sted og gjennomfør en full skanning igjen.

"Time Not saved" (Klokkeslettet er ikke lagret)

- Endringene av klokkeslettet er ikke lagret, endringene mistes.

"Alarm Not saved" (Alarm ikke lagret)

- Endringene av alarmen er ikke lagret, endringene mistes.

Spesifikasjoner

Strømtilførsel

AC (vekselstrøm) Vekselstrøm 230 V, 50 Hz
Batteri Likestrøm 6 V (4 x R14/LR14, C)

Strømforbruk 7 W

Frekvensområde

FM 87,50 MHz til 108,00 MHz (50 kHz trinn)
DAB/DAB+ BAND III
5A til 13F (174,928 MHz til 239,200 MHz)

Tilkoblingspunkt

Høretelefoner Stereo, 3,5 mm (16 Ω)

Høytaler

Fullt område 10 cm (4 Ω)

Utgangseffekt 2 W (RMS 10% THD)

Batteritid

Strømkilde	Mangan R14-batteri	Alkaliske LR14-batteri
FM	Omtrent 9 timer	Omtrent 30 timer
DAB/DAB+	Omtrent 12 timer	Omtrent 40 timer

Dimensjoner (B x H x D) 251 mm x 138 mm x 91 mm

Tyngde

Med batterier 1,3 kg
Uten batterier 1,0 kg

Driftstemperaturområde 0°C til +40°C

Fuktighetsområde for drift
35% til 80% RH (ingen kondensering)

Effektforbruk i standby-modus	0,6 W (omtrentlig)
-------------------------------	--------------------

Merknad:

Spesifikasjoner kan endres uten forvarsel. Tyngde og dimensjoner er omtrentlige.

Kassasjon av gammelt utstyr og batterier Gjelder kun den Europeiske Unionen og land med gjenvinningsystemer



Disse symbolene på produktene, emballasje og/eller medfølgende dokumenter betyr at brukte elektriske og elektroniske produkter og batterier ikke må blandes med vanlig husholdningsavfall.



De skal leveres til aktuelle innsamlingspunkter i samsvar med lokale forskrifter for korrekt behandling, gjenvinning og resirkulering av gamle produkter og brukte batterier.

Ved å kassere disse på korrekt måte bidrar du til å ta vare på verdifulle ressurser og hindre mulige negative påvirkninger på helse og miljø.

For mer informasjon om innsamling og resirkulering kontaktes lokale myndigheter. Feil kassasjon av dette avfallet kan være straffbart i henhold til nasjonale forskrifter.



Merknad for batteri-symbolet (nedre symbol):

Dette symbolet kan være brukt sammen med et kjemisk symbol. I dette tilfellet samsvarer det med kravene i direktivet for berørte kjemiske produkter.

NORSK

SUOMI**VAROITUS!****Laite**

- Vähennä tulipalon, sähköiskun tai laitteiston vahingoittumisen vaaraa:
 - Tätä laitetta ei saa altistaa sateelle, kosteudelle, roiskeille tai tippuville nesteille.
 - Älä aseta laitteen päälle nestettä sisältäviä esineitä, kuten maljakoita.
 - Käytä vain suositeltuja lisävarusteita.
 - Älä avaa laitteen koteloä.
 - Älä korjaa laitetta itse. Anna huolto pätevän huoltohenkilön tehtäväksi.

Vaihtovirtajohto

- Virtapistoke on laitteen virrankatkaisumenetelmä. Asenna laite siten, että verkkovirtapistoke voidaan irrottaa pistorasiasta välittömästi.

Manufactured by: Panasonic Corporation
Kadoma, Osaka, Japan
Importer for Europe: Panasonic Marketing Europe GmbH
Panasonic Testing Centre
Winsbergring 15, 22525 Hamburg, Germany

EU



Panasonic Corporation
Web Site: <http://panasonic.net>

(En) (Ge) (It) (Fr) (Du) (Da) (Cz) (Sw) (No)

© Panasonic Corporation 2014

RQTN0173
L0114CH0