

LUT1NE32W
LUT1NE32X



EN	Freezer	User Manual	2
FR	Congélateur	Notice d'utilisation	19
DE	Gefriergerät	Benutzerinformation	37
IT	Congelatore	Istruzioni per l'uso	55
ES	Congelador	Manual de instrucciones	73

CONTENTS

1. SAFETY INFORMATION.....	2
2. SAFETY INSTRUCTIONS.....	4
3. INSTALLATION.....	6
4. OPERATION.....	9
5. DAILY USE.....	11
6. HINTS AND TIPS.....	12
7. CARE AND CLEANING.....	13
8. TROUBLESHOOTING.....	14
9. NOISES.....	17
10. TECHNICAL DATA.....	17
11. INFORMATION FOR TEST INSTITUTES.....	17
12. ENVIRONMENTAL CONCERNS.....	18

WE'RE THINKING OF YOU

Thank you for purchasing an Electrolux appliance. You've chosen a product that brings with it decades of professional experience and innovation. Ingenious and stylish, it has been designed with you in mind. So whenever you use it, you can be safe in the knowledge that you'll get great results every time.

Welcome to Electrolux.

Visit our website to:



Get usage advice, brochures, trouble shooter, service and repair information:
www.electrolux.com/support



Register your product for better service:
www.registerelectrolux.com



Buy Accessories, Consumables and Original spare parts for your appliance:
www.electrolux.com/shop

CUSTOMER CARE AND SERVICE

Always use original spare parts.

When contacting our Authorised Service Centre, ensure that you have the following data available: Model, PNC, Serial Number.

The information can be found on the rating plate.

Warning / Caution-Safety information

General information and tips

Environmental information

Subject to change without notice.

1. SAFETY INFORMATION

Before the installation and use of the appliance, carefully read the supplied instructions. The manufacturer is not responsible for any injuries or damage that are the result

of incorrect installation or usage. Always keep the instructions in a safe and accessible location for future reference.

1.1 Children and vulnerable people safety

- This appliance can be used by children aged from 8 years and above and persons with reduced physical, sensory or mental capabilities or lack of experience and knowledge if they have been given supervision or instruction concerning the use of the appliance in a safe way and understand the hazards involved. Children aged from 3 to 8 years and persons with very extensive and complex disabilities are allowed to load and unload the appliance provided that they have been properly instructed. Children of less than 3 years of age should be kept away from the appliance unless continuously supervised.
- Children should be supervised to ensure that they do not play with the appliance.
- Children shall not carry out cleaning and user maintenance of the appliance without supervision.
- Keep all packaging away from children and dispose of it appropriately.

1.2 General Safety

- This appliance is for storing food and beverages only.
- This appliance is designed for single household domestic use in an indoor environment.
- This appliance may be used in, offices, hotel guest rooms, bed & breakfast guest rooms, farm guest houses and other similar accommodation where such use does not exceed (average) domestic usage levels.
- To avoid contamination of food respect the following instructions:
 - do not open the door for long periods;
 - clean regularly surfaces that can come in contact with food and accessible drainage systems;

- **WARNING:** Keep ventilation openings, in the appliance enclosure or in the built-in structure, clear of obstruction.
- **WARNING:** Do not use mechanical devices or other means to accelerate the defrosting process, other than those recommended by the manufacturer.
- **WARNING:** Do not damage the refrigerant circuit.
- **WARNING:** Do not use electrical appliances inside the food storage compartments of the appliance, unless they are of the type recommended by the manufacturer.
- Do not use water spray and steam to clean the appliance.
- Clean the appliance with a moist soft cloth. Only use neutral detergents. Do not use abrasive products, abrasive cleaning pads, solvents or metal objects.
- When the appliance is empty for long period, switch it off, defrost, clean, dry and leave the door open to prevent mould from developing within the appliance.
- Do not store explosive substances such as aerosol cans with a flammable propellant in this appliance.
- If the supply cord is damaged, it must be replaced by the manufacturer, its Authorised Service Centre or similarly qualified persons in order to avoid a hazard.

2. SAFETY INSTRUCTIONS

2.1 Installation



WARNING!

Only a qualified person must install this appliance.

- Remove all the packaging.
- Do not install or use a damaged appliance.
- Follow the installation instructions supplied with the appliance.
- Always take care when moving the appliance as it is heavy. Always use safety gloves and enclosed footwear.
- Make sure the air can circulate around the appliance.
- At first installation or after reversing the door wait at least 4 hours before connecting the appliance to the power supply. This is to allow the oil to flow back in the compressor.
- Before carrying out any operations on the appliance (e.g. reversing the door), remove the plug from the power socket.
- Do not install the appliance close to radiators or cookers, ovens, or hobs, unless otherwise specified in the installation instructions.
- Do not expose the appliance to the rain.
- Do not install the appliance where there is direct sunlight.
- Do not install this appliance in areas that are too humid or too cold.

- When you move the appliance, lift it by the front edge to avoid scratching the floor.

2.2 Electrical connection



WARNING!
Risk of fire and electric shock.



WARNING!
When positioning the appliance, ensure the supply cord is not trapped or damaged.



WARNING!
Do not use multi-plug adapters and extension cables.

- The appliance must be earthed.
- Make sure that the parameters on the rating plate are compatible with the electrical ratings of the mains power supply.
- Always use a correctly installed shockproof socket.
- Make sure not to cause damage to the electrical components (e.g. mains plug, mains cable, compressor). Contact the Authorised Service Centre or an electrician to change the electrical components.
- The mains cable must stay below the level of the mains plug.
- Connect the mains plug to the mains socket only at the end of the installation. Make sure that there is access to the mains plug after the installation.
- Do not pull the mains cable to disconnect the appliance. Always pull the mains plug.

2.3 Use



WARNING!
Risk of injury, burns, electric shock or fire.



The appliance contains flammable gas, isobutane (R600a), a natural gas with a high level of environmental compatibility. Be careful not to cause

damage to the refrigerant circuit containing isobutane.

- Do not change the specification of this appliance.
- Do not put electrical appliances (e.g. ice cream makers) in the appliance unless they are stated applicable by the manufacturer.
- If damage occurs to the refrigerant circuit, make sure that there are no flames and sources of ignition in the room. Ventilate the room.
- Do not let hot items to touch the plastic parts of the appliance.
- Do not put soft drinks in the freezer compartment. This will create pressure on the drink container.
- Do not store flammable gas and liquid in the appliance.
- Do not put flammable products or items that are wet with flammable products in, near or on the appliance.
- Do not touch the compressor or the condenser. They are hot.
- Do not remove or touch items from the freezer compartment if your hands are wet or damp.
- Do not freeze again food that has been thawed.
- Follow the storage instructions on the packaging of frozen food.
- Wrap the food in any food contact material before putting it in the freezer compartment.
- Do not allow food to come in contact with the inner walls of the appliance compartments.

2.4 Care and cleaning



WARNING!
Risk of injury or damage to the appliance.

- Before maintenance, deactivate the appliance and disconnect the mains plug from the mains socket.
- This appliance contains hydrocarbons in the cooling unit. Only a qualified person must do the maintenance and the recharging of the unit.
- Regularly examine the drain of the appliance and if necessary, clean it. If the drain is blocked, defrosted water collects in the bottom of the appliance.

2.5 Service

- To repair the appliance contact the Authorised Service Centre. Use original spare parts only.
- Please note that self-repair or non-professional repair can have safety consequences and might void the guarantee.
- The following spare parts will be available for 7 years after the model has been discontinued: thermostats, temperature sensors, printed circuit boards, light sources, door handles, door hinges, trays and baskets. Please note that some of these spare parts are only available to professional repairers, and that not all spare parts are relevant for all models.
- Door gaskets will be available for 10 years after the model has been discontinued.

3. INSTALLATION



WARNING!
Refer to Safety chapters.

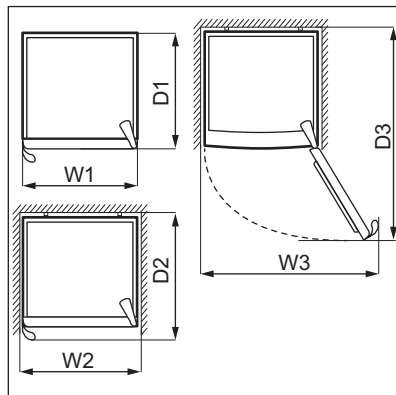
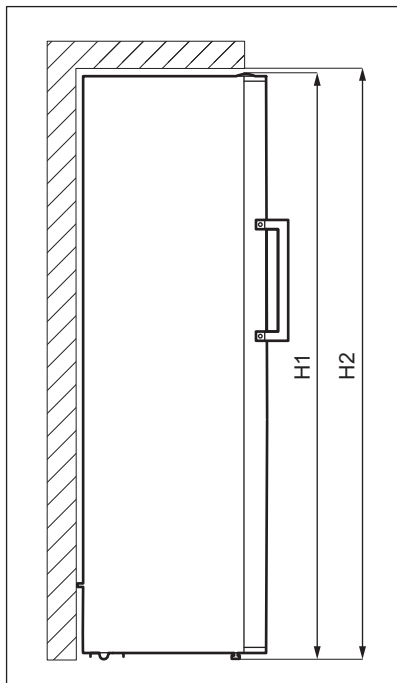
2.6 Disposal



WARNING!
Risk of injury or suffocation.

- Disconnect the appliance from the mains supply.
- Cut off the mains cable and discard it.
- Remove the door to prevent children and pets to be closed inside of the appliance.
- The refrigerant circuit and the insulation materials of this appliance are ozone-friendly.
- The insulation foam contains flammable gas. Contact your municipal authority for information on how to discard the appliance correctly.
- Do not cause damage to the part of the cooling unit that is near the heat exchanger.

3.1 Dimensions



Overall dimensions ¹		
H1*	mm	1550
W1	mm	595
D1	mm	650

¹ the height, width and depth of the appliance without the handle

* including the height of the top hinge (10 mm)

Space required in use ²		
H2	mm	1700
W2	mm	695
D2	mm	753

² the height, width and depth of the appliance including the handle, plus the space necessary for free circulation of the cooling air

Overall space required in use ³		
H2	mm	1700
W3	mm	990
D3	mm	1244

³ the height, width and depth of the appliance including the handle, plus the space necessary for free circulation of the cooling air, plus the space necessary to allow door opening to the minimum angle permitting removal of all internal equipment

3.2 Location

This appliance is not intended to be used as a built-in appliance.

In case of different installation from freestanding respecting space required in use dimensions, the appliance will function correctly but energy consumption might increase slightly.

To ensure appliance's best functionality, you should not install the appliance in the nearby of the heat source (oven, stoves, radiators, cookers or hobs) or in a place with direct sunlight. Make sure that air can circulate freely around the back of the cabinet.

This appliance should be installed in a dry, well ventilated indoor position.

To ensure best performance, if the appliance is positioned below an overhanging wall unit, the minimum distance between the top of the cabinet shall be maintained. Ideally, however, the appliance should not be positioned below overhanging wall units. One or more adjustable feet at the base of the cabinet ensure that the appliance stands level.



CAUTION!

If you position the appliance against the wall, use back spacers provided or keep the minimum distance indicated in the installation instructions.



CAUTION!

If you install the appliance next to a wall, refer to the installation instructions to understand the minimum distance between the wall and the side of the appliance where door hinges are to provide enough space to open the door when the internal equipment is removed (e.g. when cleaning).

This appliance is intended to be used at ambient temperature ranging from 10°C to 43°C.



The correct operation of the appliance can only be guaranteed within the specified temperature range.



If you have any doubts regarding where to install the appliance, please turn to the vendor, to our customer service or to the nearest Authorised Service Centre.



It must be possible to disconnect the appliance from the mains power supply. The plug must therefore be easily accessible after installation.

3.3 Electrical connection

- Before plugging in, ensure that the voltage and frequency shown on the rating plate correspond to your domestic power supply.
- The appliance must be earthed. The power supply cable plug is provided with a contact for this purpose. If the domestic power supply socket is not earthed, connect the appliance to a separate earth in compliance with current regulations, consulting a qualified electrician.
- The manufacturer declines all responsibility if the above safety precautions are not observed.

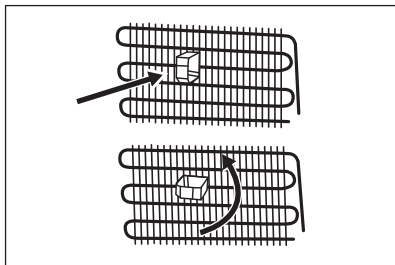
3.4 Levelling

When placing the appliance make sure that it stands level. This can be achieved by two adjustable feet at the bottom in front.

3.5 Rear spacers

In the bag with the documentation, there are two spacers which must be fitted as shown in the figure.

If you position the appliance against a wall in a freestanding installation, install the rear spacers in order to guarantee the minimum distance required for air circulation.



3.6 Door reversibility

Please refer to the separate document with instructions on installation and door reversal.



CAUTION!

At every stage of reversing the door protect the floor from scratching with a durable material.

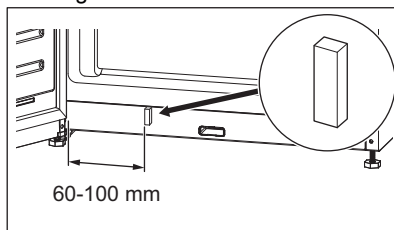
3.7 Easy opening

The cooling air contracts inside the appliance causing suction, making it

difficult to open the door. To make opening the appliance easier, use an adhesive overlay from the bag with documentation.

To install the overlay:

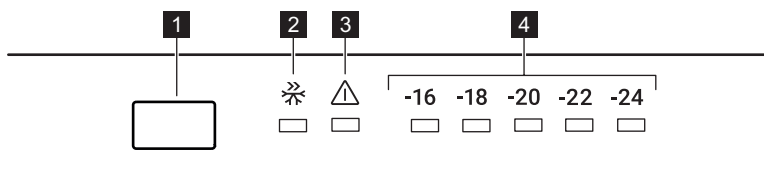
1. Peel off the liner from the back of the overlay.
2. Stick the overlay on the frame at the bottom of the appliance, at a distance of min. 60 mm to 100 mm from the hinge.



Keep the overlay away from children. Hazard of swallowing.

4. OPERATION

4.1 Control panel



- 1 Temperature regulation button
- 2 Super Freeze indicator
- 3 Alarm indicator

- 4 Temperature indicators

4.2 Switching on and off

To switch on the appliance, insert the plug into the wall socket.



To disable all the functions, activate the Standby mode. Refer to the "Standby mode" section.

To switch off the appliance, unplug it.

4.3 Temperature regulation

Recommended set temperature is:

- -18°C for the freezer.

The temperature range may vary between -16°C and -24°C .

To set the temperature of the appliance, press the temperature regulation button repeatedly until you reach the desired temperature of the compartment.

Choose the setting keeping in mind that the temperature inside the appliance depends on:

- room temperature,
- frequency of opening the door,
- quantity of food stored,
- appliance location.

A medium setting is generally the most suitable one.

The temperature indicators show the set temperature.



The set temperature will be reached within 24 hours.

4.4 High temperature alarm



The alarm activates when you plug the appliance for the first time.

The alarm activates when the temperature in the appliance is too high.

During the alarm:

- the alarm indicator flashes,
- the temperature indicator -24 flashes,
- the acoustic alarm beeps.

Turning off the alarm

- Press a key on the control panel to turn off the alarm. The alarm indicator is on until the temperature is restored.
- Alarm beeping turns off automatically after 1 hour. Alarm indicator flashes and temperature indicator -24 flashes.
- If the appliance is back to the set temperature, the alarm beeping and alarm indicator turn off. Check if the food inside is not spoiled or thawed. If yes, refer to the "Thawing" section.



Refer to the "Temperature regulation" section to set the appliance temperature.

4.5 Super Freeze function

The Super Freeze function is used to perform pre-freezing and fast freezing in sequence of freezer compartment. It accelerates the freezing of fresh food and, at the same time, protects foodstuffs already stored from undesirable warming.



To freeze fresh food activate the Super Freeze function at least 24 hours before placing the food to complete pre-freezing.

To activate this function, press repeatedly the temperature regulation button until the Super Freeze indicator appears.

This function stops automatically after 54 hours.

You can deactivate the Super Freeze function before its automatic end by repeating the procedure until the Super Freeze indicator turns off or by selecting a different temperature of the freezer compartment.

4.6 Door open alarm

If the freezer door is left open for approximately 2 minutes, the sound is on and the alarm indicator flashes.

The alarm stops after closing the door.

4.7 Alarm

In case of cooling issues, power interruptions or significant temperature changes inside your appliance, the alarm indicator lights up red and the sound is on.



The alarm may light when you plug the appliance for the first time.

Refer to the "Troubleshooting" chapter for more possible causes of triggering the alarm, and solutions on how to deactivate it.

4.8 Standby mode

Activate the Standby mode to switch off the freezing function and therefore lower the energy consumption of the appliance.

To activate the Standby mode:

1. Set the temperature for -16°C . Refer to the "Temperature regulation" section.
2. Press and hold the temperature regulation button until all temperature indicators blink 3 times.

i If you press the temperature regulation button while the Standby mode is on, all temperature indicators blink 3 times.

You can deactivate the Standby mode by repeating the above procedure.

i During the Standby mode, the temperature inside the appliance may rise above the set -16°C . If that happens after the mode deactivates, the alarm indicator lights and the sound is on. When the appliance automatically lowers the temperature, the alarm indicator and the sound alarm deactivate.

5. DAILY USE

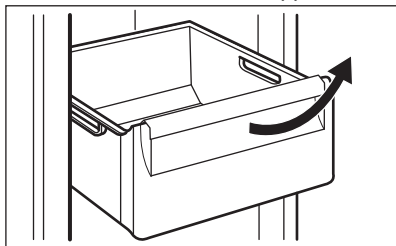
5.1 Movable shelf

The walls of the freezer compartment are equipped with a series of runners so that you can easily remove the shelf.

5.2 Removing and installing the freezer drawers

To remove a drawer from the freezer compartment:

1. Open the freezer door completely.
2. Pull the drawer out until it stops.
3. Lift slightly the front of the drawer and detach it from the appliance.



i To put the drawer back into its initial position, follow the above steps in reverse order.

5.3 Freezing fresh food

The freezer compartment is suitable for freezing fresh food and storing frozen and deep-frozen food for a long time.

To freeze fresh food activate the Super Freeze function at least 24 hours before placing the food to be frozen in the freezer compartment.

Store the fresh food evenly distributed in the first compartment or drawer from the top.

The maximum amount of food that can be frozen without adding other fresh food during 24 hours is specified on the rating plate (a label located inside the appliance).

5.4 Storage of frozen food

When activating an appliance for the first time or after a period out of use, before putting the products in the compartment let the appliance run at least 3 hours with the Super Freeze function switched on.

The freezer drawers ensure that it is quick and easy to find the food package you want. If large quantities of food are to be stored, remove all drawers, except for the bottom drawer which needs to be in place to provide good air circulation.

Keep the food on the shelves no closer than 15 mm from the door.



CAUTION!

In the event of accidental defrosting, for example due to a power failure, if the power has been off for longer than the value shown on rating plate under "rising time", the defrosted food must be consumed quickly or cooked immediately then cooled and then re-frozen.

6. HINTS AND TIPS

6.1 Hints for energy saving

- The internal configuration of the appliance is the one that ensures the most efficient use of energy.
- Do not open the door frequently or leave it open longer than necessary.
- The colder the temperature setting, the higher the energy consumption.
- Ensure a good ventilation. Do not cover the ventilation grilles or holes.
- Make sure that food products inside the appliance allow air circulation through dedicated holes in the rear interior of the appliance.

6.2 Hints for freezing

- Activate Super Freeze function at least 24 hours before placing the food inside the freezer compartment.
- Before freezing wrap and seal fresh food in: aluminium foil, plastic film or bags, airtight containers with lid.
- For more efficient freezing and thawing divide food into small portions.
- It is recommended to put labels and dates on all your frozen food. This will help to identify foods and to know when they should be used before their deterioration.
- The food should be fresh when being frozen to preserve good quality. Especially fruits and vegetables should be frozen after the harvest to preserve all of their nutrients.
- Do not freeze bottles or cans with liquids, in particular drinks containing carbon dioxide - they may explode during freezing.


5.5 Thawing

Deep-frozen or frozen food, prior to being used, can be thawed in the refrigerator or at room temperature, depending on the time available for this operation.

Small pieces may even be cooked still frozen, directly from the freezer: in this case, cooking will take longer.

- Do not put hot food in the freezer compartment. Cool it down at room temperature before placing it inside the compartment.
- To avoid increase in temperature of already frozen food, do not place fresh unfrozen food directly next to it. Place food at room temperature in the part of the freezer compartment where there is no frozen food.
- Do not eat ice cubes, water ices or ice lollies immediately after taking them out of the freezer. Risk of frostbites.
- Do not re-freeze defrosted food. If the food has defrosted, cook it, cool it down and then freeze it.

6.3 Hints for storage of frozen food

- Freezer compartment is the one marked with .
- Good temperature setting that ensures preservation of frozen food products is a temperature less than or equal to -18°C.
- Higher temperature setting inside the appliance may lead to shorter shelf life.
- The whole freezer compartment is suitable for storage of frozen food products.
- Leave enough space around the food to allow air to circulate freely.
- For adequate storage refer to food packaging label to see the shelf life of food.
- It is important to wrap the food in such a way that prevents water, humidity or condensation from getting inside.

6.4 Shopping tips

After grocery shopping:

- Ensure that the packaging is not damaged - the food could be deteriorated. If the package is swollen or wet, it might have not been stored in the optimal conditions and defrosting may have already started.
- To limit the defrosting process buy frozen goods at the end of your grocery shopping and transport them in a thermal and insulated cool bag.
- Place the frozen foods immediately in the freezer after coming back from the shop.
- If food has defrosted even partially, do not re-freeze it. Consume it as soon as possible.
- Respect the expiry date and the storage information on the package.

6.5 Shelf life

Type of food	Shelf life (months)
Bread	3
Fruits (except citrus)	6 - 12
Vegetables	8 - 10
Leftovers without meat	1 - 2
Dairy food:	
Butter	6 - 9
Soft cheese (e.g. mozzarella)	3 - 4
Hard cheese (e.g. parmesan, cheddar)	6
Seafood:	
Fatty fish (e.g. salmon, mackerel)	2 - 3
Lean fish (e.g. cod, flounder)	4 - 6
Shrimps	12
Shucked clams and mussels	3 - 4
Cooked fish	1 - 2
Meat:	
Poultry	9 - 12
Beef	6 - 12
Pork	4 - 6
Lamb	6 - 9
Sausage	1 - 2
Ham	1 - 2
Leftovers with meat	2 - 3

7. CARE AND CLEANING



WARNING!

Refer to Safety chapters.

7.1 Cleaning the interior

Before using the appliance for the first time, the interior and all internal

accessories should be washed with lukewarm water and some neutral soap to remove the typical smell of a brand-new product, then dried thoroughly.

**CAUTION!**

Do not use detergents, abrasive powders, chlorine or oil-based cleaners as they will damage the finish.

**CAUTION!**

The accessories and parts of the appliance are not suitable for washing in a dishwasher.

7.2 Periodic cleaning

The equipment has to be cleaned regularly:

1. Clean the inside and accessories with lukewarm water and some neutral soap.
2. Regularly check the door seals and wipe them clean to ensure they are clean and free from debris.
3. Clean the condenser with a brush at least twice a year.
4. Clean the evaporator tray periodically to remove accumulated water.
5. Rinse and dry thoroughly.

7.3 Defrosting of the appliance

The defrosting of the freezer compartment is automatic. Although, a

layer of frost may occur on the freezer compartment's interior walls if the freezer door is opened frequently or kept open too long.

7.4 Defrosting of the appliance

Frost is automatically eliminated from the evaporator of the refrigerator compartment every time the motor compressor stops, during normal use. The defrost water drains out through a trough into a special container at the back of the appliance, next to the motor compressor, where it evaporates.

7.5 Periods of non-operation

When the appliance is not in use for long periods, take the following precautions:

1. Disconnect the appliance from electricity supply.
2. Remove all food.
3. Clean the appliance and all accessories.
4. Leave the door open to prevent unpleasant smells.

8. TROUBLESHOOTING

**WARNING!**

Refer to Safety chapters.

8.1 What to do if...

Problem	Possible cause	Solution
The appliance does not operate.	The appliance is switched off.	Switch on the appliance.
	The mains plug is not connected to the mains socket correctly.	Connect the mains plug to the mains socket correctly.
	There is no voltage in the mains socket.	Connect a different electrical appliance to the mains socket. Contact a qualified electrician.

Problem	Possible cause	Solution
The appliance is noisy.	The appliance is not supported properly.	Check if the appliance stands stable.
The compressor operates continually.	Temperature is set incorrectly.	Refer to the "Operation" chapter.
	Many food products were put in at the same time.	Wait a few hours and then check the temperature again.
	The room temperature is too high.	Refer to the "Installation" chapter.
	Food products placed in the appliance were too warm.	Allow food products to cool to room temperature before storing.
	The door is not closed correctly.	Refer to the "Closing the door" section.
	The Super Freeze function is switched on.	Refer to the "Super Freeze function" section.
The compressor does not start immediately after pressing the "Super Freeze", or after changing the temperature.	The compressor starts after a period of time.	This is normal, no error has occurred.
Door is misaligned or interferes with ventilation grill.	The appliance is not levelled.	Refer to the installation instructions.
Door does not open easily.	You attempted to re-open the door immediately after closing.	Wait a few seconds between closing and re-opening of the door.
There is too much frost and ice.	The door is not closed correctly.	Refer to the "Closing the door" section.
	The gasket is deformed or dirty.	Refer to the "Closing the door" section.
	Food products are not wrapped properly.	Wrap the food products better.
	Temperature is set incorrectly.	Refer to the "Operation" chapter.
	Appliance is fully loaded and is set to the lowest temperature.	Set a higher temperature. Refer to the "Operation" chapter.
	Temperature set in the appliance is too low and the ambient temperature is too high.	Set a higher temperature. Refer to the "Operation" chapter.

Problem	Possible cause	Solution
Water flows on the floor.	The melting water outlet is not connected to the evaporative tray above the compressor.	Attach the melting water outlet to the evaporative tray.
Temperature cannot be set.	The Super Freeze function is switched on.	Switch off the Super Freeze function manually, or wait until the function deactivates automatically to set the temperature. Refer to the "Super Freeze function" section.
The temperature in the appliance is too low/too high.	The temperature is not set correctly.	Set a higher/lower temperature.
	The door is not closed correctly.	Refer to the "Closing the door" section.
	The food products' temperature is too high.	Let the food products temperature decrease to room temperature before storage.
	Many food products are stored at the same time.	Store less food products at the same time.
	The door has been opened often.	Open the door only if necessary.
	The Super Freeze function is switched on.	Refer to the "Super Freeze function" section.
	There is no cold air circulation in the appliance.	Make sure that there is cold air circulation in the appliance. Refer to the "Hints and tips" chapter.



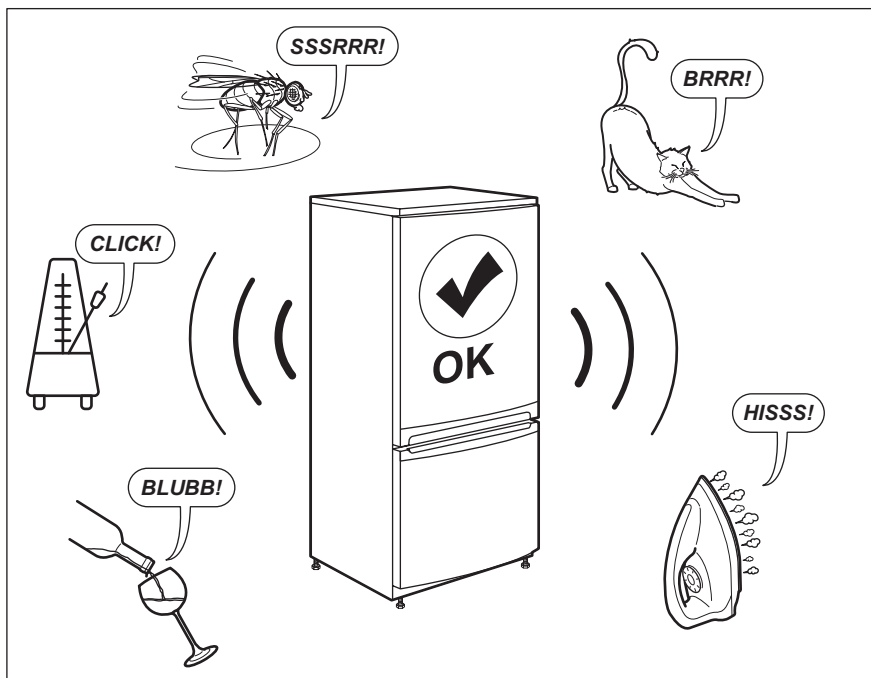
If the advice does not lead to the desired result, call the nearest Authorized Service Centre.

2. If necessary, adjust the door. Refer to the "Installation" chapter.
3. If necessary, replace the defective door gaskets. Contact the Authorized Service Centre.

8.2 Closing the door

1. Clean the door gaskets.

9. NOISES



10. TECHNICAL DATA

The technical information is situated in the rating plate on the internal side of the appliance and on the energy label.

The QR code on the energy label supplied with the appliance provides a web link to the information related to the performance of the appliance in the EU EPREL database. Keep the energy label for reference together with the user manual and all other documents provided with this appliance.

It is also possible to find the same information in EPREL using the link <https://eprel.ec.europa.eu> and the model name and product number that you find on the rating plate of the appliance.


See the link www.theenergylabel.eu for detailed information about the energy label.

11. INFORMATION FOR TEST INSTITUTES

Installation and preparation of the appliance for any EcoDesign verification shall be compliant with EN 62552 (EU). Ventilation requirements, recess dimensions and minimum rear

clearances shall be as stated in this User Manual in "Installation". Please contact the manufacturer for any other further information, including loading plans.

12. ENVIRONMENTAL CONCERNS

Recycle materials with the symbol . Put the packaging in relevant containers to recycle it. Help protect the environment and human health by recycling waste of electrical and electronic appliances. Do not dispose of


appliances marked with the symbol  with the household waste. Return the product to your local recycling facility or contact your municipal office.

TABLE DES MATIÈRES

1. INFORMATIONS DE SÉCURITÉ.....	19
2. CONSIGNES DE SÉCURITÉ.....	22
3. INSTALLATION.....	24
4. FONCTIONNEMENT.....	26
5. UTILISATION QUOTIDIENNE.....	28
6. CONSEILS.....	29
7. ENTRETIEN ET NETTOYAGE.....	31
8. DÉPANNAGE.....	32
9. BRUITS.....	35
10. DONNÉES TECHNIQUES.....	35
11. INFORMATIONS POUR LES LABORATOIRES D'ESSAIS.....	35
12. EN MATIÈRE DE PROTECTION DE L'ENVIRONNEMENT.....	36

NOUS PENSONS À VOUS

Merci d'avoir choisi un appareil Electrolux. Vous avez choisi un produit qui bénéficie de décennies d'expérience professionnelle et d'innovation. Ingénieux et élégant, il a été pensé pour vous. C'est la raison pour laquelle vous pouvez avoir la certitude d'obtenir d'excellents résultats à chaque utilisation.

Bienvenue chez Electrolux.

Consultez notre site pour :



Obtenir des conseils d'utilisation, des brochures, un dépanneur, des informations sur le service et les réparations :

www.electrolux.com/support



Enregistrer votre produit pour un meilleur service :

www.registerelectrolux.com



Acheter des accessoires, consommables et pièces de rechange d'origine pour votre appareil :

www.electrolux.com/shop

SERVICE ET ASSISTANCE À LA CLIENTÈLE


N'utilisez que des pièces de rechange d'origine.

Avant de contacter notre centre de service agréé, assurez-vous de disposer des informations suivantes : Modèle, PNC, numéro de série.

Ces informations figurent sur la plaque signalétique.

 Avertissement/Consignes de sécurité

 Informations générales et conseils

 Informations environnementales

Sous réserve de modifications.

1. INFORMATIONS DE SÉCURITÉ

Avant d'installer et d'utiliser cet appareil, lisez soigneusement les instructions fournies. Le fabricant ne

pourra être tenu pour responsable des blessures et dégâts résultant d'une mauvaise installation ou utilisation. Conservez toujours les instructions dans un lieu sûr et accessible pour vous y référer ultérieurement.

1.1 Sécurité des enfants et des personnes vulnérables

- Cet appareil peut être utilisé par des enfants âgés d'au moins 8 ans et par des personnes ayant des capacités physiques, sensorielles ou mentales réduites ou dénuées d'expérience ou de connaissance, s'ils sont correctement surveillés ou si des instructions relatives à l'utilisation de l'appareil en toute sécurité leur ont été données et s'ils comprennent les risques encourus. Les enfants de 3 à 8 ans et les personnes atteintes de handicaps graves ou très lourds peuvent charger et décharger l'appareil à condition qu'ils aient reçu des instructions appropriées. Les enfants de moins de 3 ans doivent être tenus à l'écart de l'appareil, à moins d'être surveillés en permanence.
- Veillez à ce que les enfants ne jouent pas avec l'appareil.
- Le nettoyage et l'entretien par l'utilisateur ne doivent pas être effectués par des enfants sans surveillance.
- Ne laissez pas les emballages à la portée des enfants et jetez-les convenablement.

1.2 Sécurité générale

- Cet appareil est uniquement destiné à la conservation des aliments et des boissons.
- Cet appareil est conçu pour un usage domestique ménager, dans un environnement intérieur.
- Cet appareil peut être utilisé dans les bureaux, les chambres d'hôtel, les chambres d'hôtes, les maisons d'hôtes de ferme et d'autres hébergements similaires lorsque cette utilisation ne dépasse pas le niveau (moyen) de l'utilisation domestique.

- Pour éviter la contamination des aliments, respectez les instructions suivantes :
 - n'ouvrez pas la porte pendant de longues durées ;
 - nettoyez régulièrement les surfaces pouvant être en contact avec les aliments et les systèmes d'évacuation accessibles ;
- **AVERTISSEMENT** : Veillez à ce que les orifices de ventilation situés dans l'enceinte de l'appareil ou la structure intégrée ne soient pas obstrués.
- **AVERTISSEMENT** : N'utilisez aucun dispositif mécanique ou autre pour accélérer le processus de dégivrage, outre ceux recommandés par le fabricant.
- **AVERTISSEMENT** : Veillez à ne pas endommager le circuit réfrigérant.
- **AVERTISSEMENT** : N'utilisez pas d'appareils électriques à l'intérieur des compartiments de conservation des aliments de l'appareil, sauf s'ils sont du type recommandé par le fabricant.
- Ne pulvérisez pas d'eau ni de vapeur pour nettoyer l'appareil.
- Nettoyez l'appareil avec un chiffon doux et humide. Utilisez uniquement des produits de lavage neutres. N'utilisez pas de produits abrasifs, de tampons à récurer, de solvants ou d'objets métalliques.
- Si l'appareil est vide pendant une longue durée, éteignez-le, dégivrez-le, nettoyez-le, séchez-le et laissez la porte ouverte pour empêcher le développement de moisissure dans l'appareil.
- Ne conservez aucune substance explosive dans cet appareil, comme des aérosols contenant un produit inflammable.
- Si le câble d'alimentation est endommagé, il doit être remplacé par le fabricant, son service après-vente ou par un professionnel qualifié afin d'éviter un danger.

2. CONSIGNES DE SÉCURITÉ

2.1 Installation



AVERTISSEMENT!

L'appareil doit être installé uniquement par un professionnel qualifié.

- Retirez l'intégralité de l'emballage.
- N'installez pas et ne branchez pas un appareil endommagé.
- Suivez scrupuleusement les instructions d'installation fournies avec l'appareil.
- Soyez toujours vigilants lorsque vous déplacez l'appareil car il est lourd. Utilisez toujours des gants de sécurité et des chaussures fermées.
- Assurez-vous que l'air puisse circuler autour de l'appareil.
- Lors de la première installation ou après avoir inversé la porte, attendez au moins 4 heures avant de brancher l'appareil sur le secteur. Cela permet à l'huile de refouler dans le compresseur.
- Avant toute opération sur l'appareil (par ex. inversion de la porte), débranchez la fiche de la prise de courant.
- N'installez pas l'appareil à proximité d'un radiateur ou d'une cuisinière, d'un four ou d'une table de cuisson, sauf indication contraire dans les instructions d'installation.
- N'exposez pas l'appareil à la pluie.
- N'installez pas l'appareil dans un endroit exposé à la lumière directe du soleil.
- N'installez pas l'appareil dans une pièce trop humide ou trop froide.
- Lorsque vous déplacez l'appareil, veillez à le soulever par l'avant pour éviter d'érafler le sol.

2.2 Branchement électrique



AVERTISSEMENT!

Risque d'incendie ou d'électrocution.



AVERTISSEMENT!

Lorsque vous installez l'appareil, assurez-vous que le câble d'alimentation n'est pas coincé ou endommagé.



AVERTISSEMENT!

N'utilisez pas d'adaptateurs multiprises et de rallonges.

- L'appareil doit être relié à la terre.
- Assurez-vous que les paramètres figurant sur la plaque signalétique correspondent aux données électriques nominale de l'alimentation secteur.
- Utilisez toujours une prise de courant de sécurité correctement installée.
- Veillez à ne pas endommager les composants électriques (comme par exemple, la fiche secteur, le câble d'alimentation ou le compresseur). Contactez le service après-vente agréé ou un électricien pour changer les composants électriques.
- Le câble d'alimentation doit rester au-dessous du niveau de la prise secteur.
- Ne branchez la fiche secteur dans la prise secteur qu'à la fin de l'installation. Assurez-vous que la prise secteur est accessible après l'installation.
- Ne tirez pas sur le câble secteur pour débrancher l'appareil. Tirez toujours sur la fiche de la prise secteur.

2.3 Utilisation



AVERTISSEMENT!

Risque de blessures, de brûlures, d'électrocution ou d'incendie.



L'appareil contient un gaz inflammable, l'isobutane (R600a), un gaz naturel ayant un niveau élevé de compatibilité environnementale. Veillez à ne pas endommager le circuit frigorifique contenant de l'isobutane.

- Ne modifiez pas les spécifications de cet appareil.

- Ne placez aucun appareil électrique (comme par exemple, une sorbetière) dans l'appareil si cela n'est pas autorisé par le fabricant.
- Si le circuit frigorifique est endommagé, assurez-vous de l'absence de flammes et de sources d'ignition dans la pièce. Aérez la pièce.
- Évitez tout contact d'éléments chauds avec les parties en plastique de l'appareil.
- Ne placez jamais de boissons gazeuses dans le congélateur. Cela engendrerait une pression sur le récipient de la boisson.
- Ne stockez jamais de gaz ou de liquide inflammable dans l'appareil.
- Ne placez pas de produits inflammables ou d'éléments imbibés de produits inflammables à l'intérieur, à proximité ou au-dessus de l'appareil.
- Ne touchez ni le compresseur, ni le condenseur. Ils sont chauds.
- Ne retirez pas et ne touchez pas les éléments du compartiment congélateur avec les mains mouillées.
- Ne recongelez jamais un aliment qui a été décongelé.
- Respectez les instructions de stockage figurant sur l'emballage des aliments surgelés.
- Emballez les aliments dans un emballage adapté au contact avec des aliments avant de les placer dans le compartiment congélateur.
- Ne laissez pas les aliments entrer en contact avec les parois intérieures des compartiments de l'appareil.

2.4 Entretien et nettoyage



AVERTISSEMENT!

Risque de blessure ou de dommages matériels.

- Avant toute opération d'entretien, éteignez l'appareil et débranchez la fiche de la prise secteur.
- Cet appareil contient des hydrocarbures dans son circuit de réfrigération. L'entretien et la recharge du circuit de réfrigération doivent être effectués par un professionnel qualifié.

- Examinez régulièrement l'écoulement de l'appareil et si nécessaire, nettoyez-le. Si l'orifice est bouché, l'eau provenant du dégivrage s'écoulera en bas de l'appareil.

2.5 Service

- Pour réparer l'appareil, contactez le service après-vente agréé. Utilisez uniquement des pièces de rechange d'origine.
- Veuillez noter qu'une autoréparation ou une réparation non professionnelle peuvent avoir des conséquences sur la sécurité et annuler la garantie.
- Les pièces détachées suivantes seront disponibles pendant 7 ans après l'arrêt du modèle : thermostats, capteurs de température, cartes circuits imprimées, sources lumineuses, poignées de portes, charnières de portes, plaques et balconnets. Veuillez noter que certaines de ces pièces détachées ne sont disponibles qu'auprès de réparateurs professionnels et que toutes les pièces détachées ne sont pas adaptées à tous les modèles.
- Les joints de portes seront disponibles pendant 10 ans après l'arrêt du modèle.

2.6 Mise au rebut



AVERTISSEMENT!

Risque de blessure ou d'asphyxie.

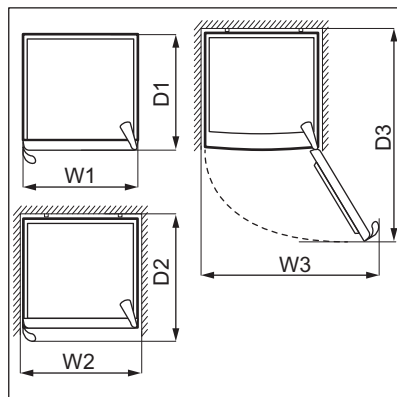
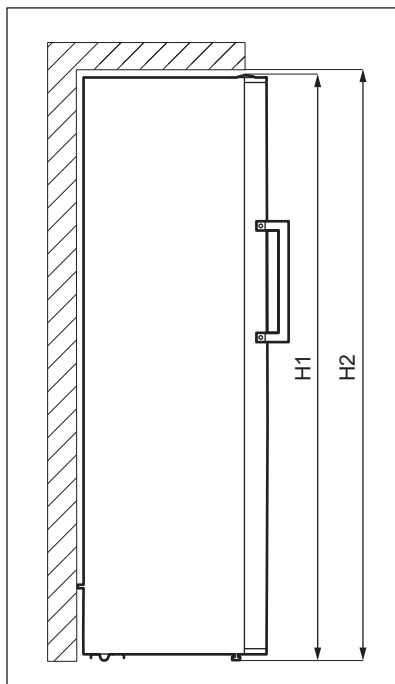
- Débranchez l'appareil de l'alimentation électrique.
- Coupez le câble d'alimentation et mettez-le au rebut.
- Retirez la porte pour empêcher les enfants et les animaux de s'enfermer dans l'appareil.
- Le circuit frigorifique et les matériaux d'isolation de cet appareil préservent la couche d'ozone.
- La mousse isolante contient un gaz inflammable. Contactez votre service municipal pour obtenir des informations sur la marche à suivre pour mettre l'appareil au rebut.
- N'endommagez pas la partie du circuit de réfrigération située à proximité du condenseur thermique.

3. INSTALLATION



AVERTISSEMENT!
Reportez-vous aux chapitres
relatifs à la Sécurité.

3.1 Dimensions



Dimensions hors-tout ¹		
H1*	mm	1550
W1	mm	595
D1	mm	650

¹ hauteur, largeur et profondeur de l'appareil sans la poignée

* y compris la hauteur de la charnière supérieure (10 mm)

Espace requis en service ²		
H2	mm	1700
W2	mm	695

Espace requis en service ²		
D2	mm	753

² hauteur, largeur et profondeur de l'appareil avec la poignée, plus l'espace nécessaire pour la libre circulation de l'air de refroidissement

Espace total requis en service ³		
H2	mm	1700
W3	mm	990
D3	mm	1244

³ hauteur, largeur et profondeur de l'appareil avec la poignée, plus l'espace nécessaire pour la libre circulation de l'air de refroidissement, plus l'espace nécessaire pour autoriser l'ouverture de la porte à l'angle minimal permettant le retrait de tous les équipements internes

3.2 Emplacement

Cet appareil n'est pas destiné à être utilisé en tant qu'appareil encastré.

En cas d'installation différente d'une installation autonome respectant l'espace requis dans les dimensions d'utilisation, l'appareil fonctionnera correctement, mais la consommation énergétique pourra légèrement augmenter.

Pour garantir la meilleure fonctionnalité de l'appareil, vous ne devez pas installer l'appareil à proximité d'une source de chaleur (fours, poêles, radiateurs, cuisinières ou plaques de cuisson) ni dans un lieu exposé à la lumière directe du soleil. Assurez-vous que l'air peut circuler librement autour de l'arrière du meuble.

Cet appareil doit être installé dans un lieu sec et bien ventilé en intérieur.

Pour garantir des performances optimales si l'appareil est installé sous un élément suspendu, la distance minimale avec le haut de l'appareil doit être maintenue. Dans l'idéal, cependant, l'appareil ne doit pas être placé sous des éléments muraux suspendus. Pour garantir que l'appareil est de niveau, réglez le ou les pieds réglables sous l'appareil.



ATTENTION!

Si vous placez l'appareil contre un mur, utilisez les entretoises arrière fournies ou laissez la distance minimale indiquée dans les instructions d'installation.



ATTENTION!

Si vous installez l'appareil à proximité d'un mur, consultez les instructions d'installation pour déterminer la distance minimale entre le mur et la paroi de l'appareil équipée des charnières de porte. Ainsi, vous aurez assez de place pour ouvrir la porte et retirer les accessoires intérieurs (par exemple pour le nettoyage).

Cet appareil est destiné à être utilisé à une température ambiante comprise entre 10°C et 43°C.



Seul le respect de la plage de températures spécifiée peut garantir un bon fonctionnement de l'appareil.



En cas de doute concernant l'emplacement d'installation de l'appareil, veuillez contacter le vendeur, notre service après-vente ou le service après-vente agréé le plus proche.



L'appareil doit pouvoir être débranché de l'alimentation électrique. C'est pourquoi la prise électrique doit être facilement accessible après l'installation.

3.3 Branchement électrique

- Avant de brancher, assurez-vous que la tension et la fréquence indiquées sur la plaque signalétique correspondent à votre alimentation électrique domestique.
- L'appareil doit être relié à la terre. La fiche du câble d'alimentation est munie d'un contact à cet effet. Si la prise d'alimentation électrique domestique n'est pas reliée à la terre, branchez l'appareil à une prise de terre séparée conformément aux réglementations en vigueur, en vous adressant à un électricien qualifié.
- Le fabricant décline toute responsabilité si les précautions de

sécurité ci-dessus ne sont pas respectées.

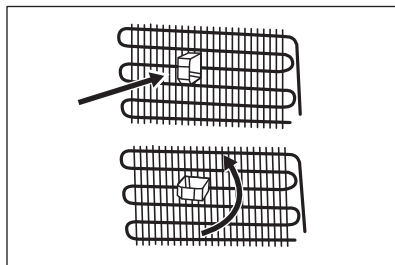
3.4 Mise à niveau

Lorsque vous placez l'appareil, assurez-vous qu'il est d'aplomb. Servez-vous des deux pieds réglables se trouvant sous l'avant de l'appareil.

3.5 Entretoises arrière

Dans le sachet contenant la documentation, il y a deux entretoises qui doivent être montées comme indiqué sur la figure.

Si vous placez l'appareil contre un mur dans une installation autonome, installez les entretoises arrière afin de garantir la distance minimale requise pour la circulation de l'air.



3.6 Réversibilité de la porte

Veillez vous reporter au document séparé contenant des instructions sur l'installation et l'inversion du sens d'ouverture de la porte.



ATTENTION!

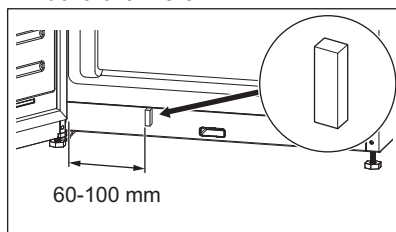
À chaque étape de réversibilité de la porte, protégez le sol pour éviter les rayures dues aux matériaux durs.

3.7 Ouverture facile

L'air de refroidissement se contracte à l'intérieur de l'appareil, provoquant une aspiration, ce qui rend difficile l'ouverture de la porte. Pour faciliter l'ouverture de l'appareil, utilisez le film adhésif inclus dans le sachet de la notice d'utilisation.

Pour installer le film :

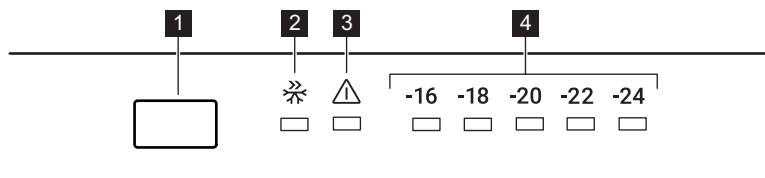
1. Décollez la doublure de l'arrière du film.
2. Collez le film sur le cadre dans la partie inférieure de l'appareil, à une distance de 60 à 100 mm minimum de la charnière.



Tenir le film hors de portée des enfants. Risque de déglutition.

4. FONCTIONNEMENT

4.1 Bandeau de commande



1 Bouton de réglage de la température


2 Voyant Super Freeze

3 Voyant d'alarme

4 Voyants de température

4.2 Mise en marche et mise à l'arrêt

Pour mettre l'appareil en fonctionnement, insérez la fiche dans la prise murale.

-  Pour désactiver toutes les fonctions, activez le mode Standby. Reportez-vous à la section « Mode Standby ».

Pour mettre à l'arrêt l'appareil, débranchez-le.

4.3 Réglage de la température

La température recommandée est de :

- -18 °C pour le congélateur

La plage de température peut varier entre -16 °C et -24 °C entre .

Pour régler la température de l'appareil, appuyez plusieurs fois sur la touche de réglage de la température jusqu'à obtenir la température souhaitée du compartiment.

Choisissez le réglage en tenant compte du fait que la température à l'intérieur de l'appareil dépend de plusieurs facteurs :


- la température ambiante ;
- la fréquence d'ouverture de la porte ;
- la quantité de denrées entreposées ;
- l'emplacement de l'appareil.

Un réglage intermédiaire est généralement le plus indiqué.

Les indicateurs de température affichent la température réglée

-  La température réglée sera atteinte dans les 24 heures.

4.4 Alarme haute température

-  L'alarme se déclenche lorsque vous branchez l'appareil pour la première fois.

L'alarme se déclenche lorsque la température à l'intérieur de l'appareil est trop élevée.


Pendant l'alarme :

- le voyant d'alarme clignote,
- l'indicateur de température -24 clignote,

- l'alarme sonore retentit.


Désactivation de l'alarme

- Appuyez sur une des touches du bandeau de commande pour désactiver l'alarme. Le voyant d'alarme s'allume jusqu'à ce que la température soit rétablie.
- Le bip d'alarme s'éteint automatiquement au bout d'une heure. Le voyant d'alarme clignote et l'indicateur de température -24 clignote.
- Lorsque l'appareil revient à la température réglée, l'alarme émet un bip et le voyant d'alarme s'éteint. Vérifiez si les aliments à l'intérieur ne sont pas gâtés ou décongelés. Si oui, reportez-vous à la section « Décongélation ».

-  Reportez-vous à la section « Réglage de la température » pour régler la température de l'appareil.

4.5 Fonction Super Freeze

La fonction Super Freeze permet d'effectuer successivement la précongélation et la congélation rapide dans le compartiment congélateur. Cela accélère la congélation des aliments frais et protège en même temps les denrées déjà entreposées d'un réchauffement indésirable.

-  Pour congeler des aliments frais, activez la fonction Super Freeze au moins 24 heures avant de placer les aliments afin d'achever la précongélation.

Pour activer cette fonction, appuyez à plusieurs reprises sur la touche de réglage de la température jusqu'à ce que le voyant Super Freeze apparaisse.

Cette fonction s'arrête automatiquement au bout de 54 heures.

Vous pouvez désactiver la fonction Super Freeze avant sa fin automatique en répétant la procédure jusqu'à ce que le voyant Super Freeze s'éteigne ou en sélectionnant une autre température du congélateur.

4.6 Alarme porte ouverte

Si la porte du congélateur reste ouverte pendant environ 2 minutes, le signal sonore retentit et le voyant d'alarme clignote.

L'alarme sonore s'arrête dès que la porte est fermée.

4.7 Alarme

En cas de problèmes de refroidissement, de coupures de courant ou de changements de température importants à l'intérieur de votre appareil, le voyant d'alarme s'allume en rouge et le signal sonore s'active.

i L'alarme peut s'allumer lorsque vous branchez l'appareil pour la première fois.

Reportez-vous au chapitre « Dépannage » pour connaître les autres causes possibles de déclenchement de l'alarme et les solutions pour la désactiver.

4.8 Mode Standby

Activez le mode Standby pour désactiver la fonction de congélation et ainsi réduire la consommation d'énergie de l'appareil.

Pour activer le mode Standby :

1. Réglez la température de la -16°C . Reportez-vous à la section « Réglage de la température ».
2. Maintenez enfoncée la touche de réglage de la température jusqu'à ce que tous les voyants de température clignotent 3 fois.

i Si vous appuyez sur la touche de réglage de la température alors que le mode Standby est activé, tous les voyants de température clignotent 3 fois.

Vous pouvez désactiver le mode Standby en répétant la procédure ci-dessus.

i Avec le mode Standby activé, la température à l'intérieur de l'appareil peut dépasser le réglage, c.-à-d. -16°C . Si cela se produit après la désactivation du mode, le voyant d'alarme s'allume et le signal sonore retentit. Lorsque l'appareil abaisse automatiquement la température, le voyant d'alarme et le son alarme se désactivent.

5. UTILISATION QUOTIDIENNE

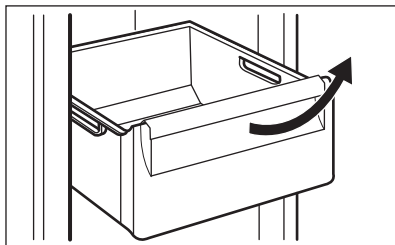
5.1 Clayette amovible

Les parois du compartiment congélateur sont équipées d'une série de glissières afin que vous puissiez facilement retirer la clayette.

5.2 Retrait et installation des tiroirs du congélateur

Pour retirer un tiroir du compartiment congélateur :

1. Ouvrez complètement la porte du congélateur.
2. Tirez le bac jusqu'à la butée.
3. Soulevez légèrement l'avant du tiroir et détachez-le de l'appareil.



i Pour remettre le bac en place, suivez les étapes ci-dessus dans l'ordre inverse.

5.3 Congeler des aliments frais

Le compartiment du congélateur est parfait pour congeler des denrées

fraîches et conserver à long terme des aliments surgelés ou congelés.

Pour congeler des aliments frais, activez la fonction Super Freeze au moins 24 heures avant de placer les aliments à conserver dans le compartiment de congélation.

Conservez les aliments frais répartis uniformément dans le premier compartiment ou bac en partant du haut.

La quantité maximale d'aliments pouvant être congelés, sans ajouter d'autres aliments frais pendant 24 heures, figure sur la plaque signalétique (étiquette située à l'intérieur de l'appareil).

5.4 Conservation des plats surgelés

Lors de la mise en service ou après un arrêt prolongé et avant d'introduire les produits dans le compartiment, laissez fonctionner l'appareil au moins 3 heures avec la fonction Super Freeze allumée.

Les tiroirs du congélateur permettent de retrouver rapidement et facilement les aliments que vous recherchez. Si vous devez conserver une grande quantité d'aliments, retirez tous les tiroirs, excepté celui du bas qui doit rester en place pour assurer une bonne circulation de l'air.

Gardez les aliments sur les clayettes à 15 mm de la porte.



ATTENTION!

En cas de décongélation accidentelle causée par une coupure de courant par exemple, si la durée de la mise hors tension est supérieure à la valeur indiquée sur la plaque signalétique sous « Autonomie de fonctionnement », les aliments décongelés doivent être consommés rapidement ou cuits immédiatement avant d'être refroidis, puis recongelés.

5.5 Décongélation

Avant utilisation, les aliments surgelés ou congelés peuvent être décongelés dans le réfrigérateur ou à température ambiante en fonction du temps disponible pour cette opération.

Les petites portions peuvent même être cuites sans décongélation préalable : dans ce cas, la cuisson durera plus longtemps.

6. CONSEILS

6.1 Conseils pour économiser l'énergie

- La configuration interne de l'appareil permet une consommation d'énergie la plus efficace possible.
- Évitez d'ouvrir fréquemment la porte et ne la laissez ouverte que le temps nécessaire.
- Plus le réglage de la température est bas, plus la consommation électrique est élevée.
- Assurez une bonne ventilation. Ne couvrez pas les grilles ou les orifices de ventilation.
- Assurez-vous que les produits alimentaires à l'intérieur de l'appareil permettent la circulation de l'air par les orifices dédiés à l'arrière de l'intérieur de l'appareil.


6.2 Conseils pour la congélation

- Activez la fonction Super Freeze au moins 24 heures avant de placer les aliments à l'intérieur du compartiment du congélateur.
- Avant de congeler, emballez et fermez les aliments frais dans : papier aluminium, film ou sachets en plastique, récipients hermétiques avec couvercle.
- Pour une congélation et une décongélation plus efficaces, séparez les aliments en petites portions.
- Il est recommandé de mettre des étiquettes et des dates sur tous vos aliments congelés. Cela permettra d'identifier les aliments et de savoir

quand ils peuvent être consommés avant leur détérioration.

- Les aliments doivent être frais lorsqu'ils sont congelés pour préserver leur qualité. En particulier, les fruits et les légumes doivent être congelés après leur récolte pour préserver tous leurs nutriments.
- Ne congelez pas des bouteilles ou des canettes avec des liquides, en particulier des boissons contenant du dioxyde de carbone : elles pourraient exploser pendant la congélation.
- N'introduisez pas d'aliments chauds dans le compartiment du congélateur. Laissez-les refroidir à température ambiante avant de les placer dans le compartiment.
- Pour éviter d'augmenter la température des aliments déjà surgelés, ne placez pas d'aliments frais non congelés directement à proximité. Placez les aliments à température ambiante dans la partie du compartiment du congélateur où il n'y a pas d'aliments congelés.
- Ne mangez pas les glaçons, les glaces à l'eau ou les bâtonnets glacés dès leur sortie du congélateur. Risque de gelure.
- Ne recongelez pas des aliments décongelés. Si les aliments sont décongelés, cuisez-les, laissez-les refroidir puis congelez-les.

6.3 Conseils pour le stockage des plats surgelés

- Le compartiment congélateur est marqué de .
- Un bon réglage de température qui garantit la conservation des produits alimentaires congelés est une température inférieure ou égale à -18 °C. Un réglage de température plus élevé à l'intérieur de l'appareil peut

entraîner une durée de conservation plus courte.

- L'ensemble du compartiment du congélateur est adapté à la conservation de produits alimentaires congelés.
- Laissez suffisamment d'espace autour des aliments pour permettre à l'air de circuler librement.
- Pour une conservation adéquate, consultez l'étiquette de l'emballage des aliments pour connaître la durée de conservation des aliments.
- Il est important d'emballer les aliments de manière à empêcher l'eau, l'humidité ou la condensation de pénétrer à l'intérieur.

6.4 Conseils pour vos courses

Après vos courses :

- Assurez-vous que l'emballage n'est pas endommagé : les aliments pourraient être détériorés. Si l'emballage est gonflé ou mouillé, il n'a peut-être pas été conservé dans des conditions optimales et la décongélation a peut-être déjà commencé.
- Pour limiter le processus de décongélation, achetez les produits congelés à la fin de vos courses et transportez-les dans un sac isotherme.
- Placez les aliments congelés dans le congélateur immédiatement après être revenu de vos courses.
- Si les aliments sont décongelés même partiellement, ne les recongelez pas. Consommez-les dès que possible.
- Respectez la date d'expiration et les informations de conservation sur l'emballage.

6.5 Durée de conservation

Type d'aliment	Durée de conservation (mois)
Pain	3

Type d'aliment	Durée de conservation (mois)
Fruits (sauf agrumes)	6 - 12
Légumes	8 - 10
Restes (sans viande)	1 - 2
Produits laitiers :	
Beurre	6 - 9
Fromage à pâte molle (p. ex., mozzarella)	3 - 4
Fromage à pâte dure (p. ex., parmesan, cheddar)	6
Fruits de mer :	
Poisson gras (p. ex., saumon, maquereau)	2 - 3
Poisson maigre (p. ex., cabillaud, limande)	4 - 6
Crevettes	12
Palourdes et moules décortiquées	3 - 4
Poisson cuit	1 - 2
Viande :	
Volaille	9 - 12
Bœuf	6 - 12
Porc	4 - 6
Agneau	6 - 9
Saucisse	1 - 2
Jambon	1 - 2
Restes (avec viande)	2 - 3

7. ENTRETIEN ET NETTOYAGE



AVERTISSEMENT!

Reportez-vous aux chapitres relatifs à la Sécurité.



ATTENTION!

Les accessoires et parties de l'appareil ne sont pas adaptés au lavage au lave-vaisselle.

7.1 Nettoyage de l'intérieur

Avant d'utiliser l'appareil pour la première fois, nettoyez l'intérieur et tous les accessoires avec de l'eau tiède savonneuse (pour supprimer toute odeur de neuf), puis séchez-les soigneusement.



ATTENTION!

N'utilisez jamais de détergents, de produits abrasifs, de nettoyeurs à base de chlore ou d'huile, car ils pourraient endommager le revêtement.

7.2 Nettoyage périodique

L'appareil doit être nettoyé régulièrement :

1. Nettoyez l'intérieur et les accessoires à l'eau tiède et au savon neutre.
2. Vérifiez régulièrement les joints de porte et essuyez-les pour vous assurer qu'ils sont propres et ne contiennent pas de résidus.
3. Nettoyez le condenseur avec une brosse au moins deux fois par an.
4. Nettoyez régulièrement le plateau de l'évaporateur pour éliminer l'eau accumulée.

5. Rincez et séchez soigneusement.

7.3 Dégivrage de l'appareil

La décongélation du compartiment congélateur est automatique. Cependant, une couche de givre peut se former sur les parois intérieures du compartiment congélateur si la porte du congélateur est ouverte fréquemment ou reste ouverte trop longtemps.

7.4 Dégivrage de l'appareil

Le givre est automatiquement éliminé de l'évaporateur du compartiment réfrigérateur à chaque fois que le compresseur s'arrête en utilisation

normale. L'eau de dégivrage est évacuée à travers un bac situé à l'arrière de l'appareil, à côté du compresseur, où elle s'évapore.

7.5 Périodes de non-utilisation

Lorsque l'appareil n'est pas utilisé pendant des périodes prolongées, prenez les précautions suivantes :

1. Débranchez l'appareil de l'alimentation électrique.
2. Retirez tous les aliments.
3. Nettoyez l'appareil et tous ses accessoires.
4. Laissez la porte ouverte pour éviter la formation d'odeurs désagréables.

8. DÉPANNAGE



AVERTISSEMENT!

Reportez-vous aux chapitres relatifs à la Sécurité.

8.1 Que faire si...

Problème	Cause probable	Solution
L'appareil ne fonctionne pas.	L'appareil est à l'arrêt.	Mettez l'appareil en fonctionnement.
	La fiche d'alimentation n'est pas correctement branchée à la prise de courant.	Branchez la fiche secteur sur la prise de courant.
	Il n'y a pas de tension dans la prise de courant.	Branchez un autre appareil sur la prise de courant. Contactez un électricien qualifié.
L'appareil est bruyant.	L'appareil n'est pas positionné correctement.	Vérifiez que l'appareil est stable.
Le compresseur fonctionne en permanence.	La température est mal réglée.	Reportez-vous au chapitre « Fonctionnement ».
	Trop d'aliments ont été introduits simultanément.	Attendez quelques heures et vérifiez de nouveau la température.
	La température ambiante est trop élevée.	Reportez-vous au chapitre « Installation ».

Problème	Cause probable	Solution
	Les aliments placés dans l'appareil étaient trop chauds.	Laissez refroidir les aliments à température ambiante avant de les ranger.
	La porte n'est pas correctement fermée.	Reportez-vous à la section « Fermeture de la porte ».
	La fonction Super Freeze est activée.	Consultez le paragraphe « Fonction Super Freeze ».
Le compresseur ne démarre pas immédiatement après avoir appuyé sur la touche « Super Freeze », ou après avoir modifié la température.	Le compresseur démarre au bout d'un certain temps.	C'est normal, aucune erreur n'est survenue.
La porte est mal alignée ou interfère avec le gril de ventilation.	L'appareil n'est pas d'aplomb.	Reportez-vous aux instructions d'installation.
La porte est difficile à ouvrir.	Vous avez essayé de rouvrir la porte immédiatement après l'avoir fermée.	Attendez quelques secondes après avoir fermé la porte pour la rouvrir.
Il y a trop de givre et de glace.	La porte n'est pas correctement fermée.	Reportez-vous à la section « Fermeture de la porte ».
	Le joint est déformé ou sale.	Reportez-vous à la section « Fermeture de la porte ».
	Les aliments ne sont pas correctement emballés.	Emballez mieux les aliments.
	La température est mal réglée.	Reportez-vous au chapitre « Fonctionnement ».
	L'appareil est complètement chargé et réglé sur la température la plus basse.	Sélectionnez une température plus élevée. Reportez-vous au chapitre « Fonctionnement ».
	La température réglée dans l'appareil est trop basse et la température ambiante est trop élevée.	Sélectionnez une température plus élevée. Reportez-vous au chapitre « Fonctionnement ».
De l'eau s'écoule sur le sol.	La sortie d'eau de dégivrage n'est pas raccordée au bac d'évaporation situé au-dessus du compresseur.	Fixez la sortie de l'eau de dégivrage sur le plateau d'évaporation.

Problème	Cause probable	Solution
La température ne peut pas être réglée.	La fonction Super Freeze est activée.	Éteignez la Super Freeze fonction manuellement ou attendez que la fonction se réinitialise automatiquement avant de régler la température. Consultez le paragraphe « Fonction Super Freeze ».
La température à l'intérieur de l'appareil est trop basse/élevée.	La température n'est pas réglée correctement.	Sélectionnez une température plus élevée/plus basse.
	La porte n'est pas correctement fermée.	Reportez-vous à la section « Fermeture de la porte ».
	La température des aliments est trop élevée.	Laissez les aliments refroidir à température ambiante avant de les conserver.
	Trop d'aliments ont été conservés simultanément.	Conservez moins de produits en même temps.
	La porte a été ouverte souvent.	N'ouvrez la porte que si nécessaire.
	La fonction Super Freeze est activée.	Consultez le paragraphe « Fonction Super Freeze ».
	L'air froid ne circule pas dans l'appareil.	Assurez-vous que l'air froid circule dans l'appareil. Reportez-vous au chapitre « Conseils ».



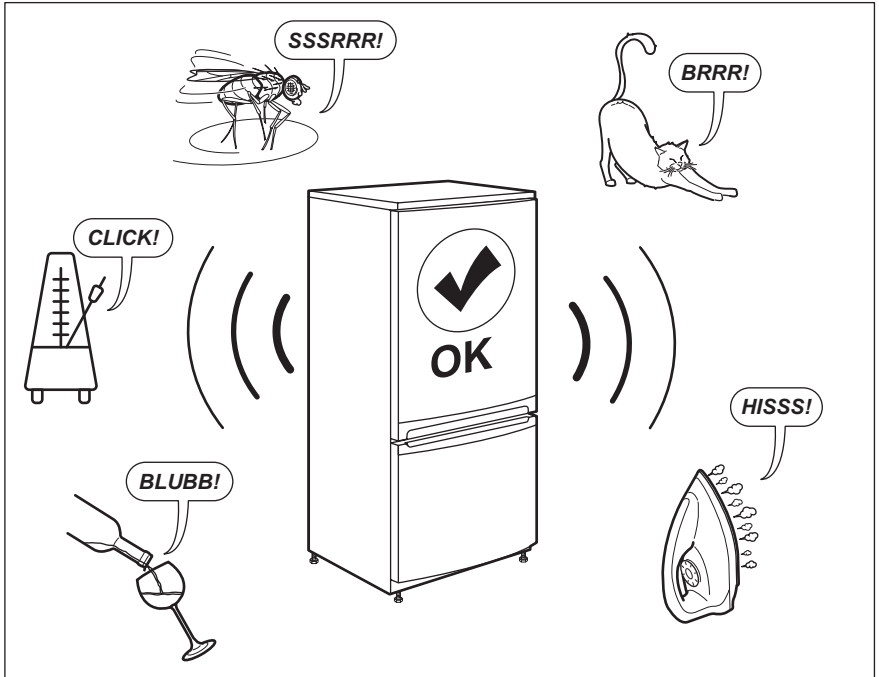
Si ces conseils n'apportent pas le résultat souhaité, veuillez consulter le service après-vente agréé le plus proche.

2. Si nécessaire, régler la porte. Reportez-vous au chapitre « Installation ».
3. Si nécessaire, remplacer les joints de porte défectueux. Veuillez contacter le service après-vente agréé.

8.2 Fermeture de la porte

1. Nettoyer les joints de porte.

9. BRUITS



10. DONNÉES TECHNIQUES

Les caractéristiques techniques figurent sur la plaque signalétique située sur à l'intérieur de l'appareil et sur l'étiquette énergétique.

Le code QR présent sur l'étiquette énergétique fournie avec l'appareil contient un lien Web vers les informations relatives aux performances de l'appareil dans la base de données EPREL de l'UE. Conservez l'étiquette énergétique à titre de référence avec la notice d'utilisation et tous les autres documents fournis avec cet appareil.

Il est également possible de trouver les mêmes informations dans EPREL à l'aide du lien <https://eprel.ec.europa.eu> avec le nom du modèle et le numéro de produit se trouvant sur la plaque signalétique de l'appareil.

Consultez le lien www.theenergylabel.eu pour obtenir des informations détaillées sur l'étiquette énergétique.


11. INFORMATIONS POUR LES LABORATOIRES D'ESSAIS


L'installation et la préparation de l'appareil pour une vérification EcoDesign doivent être conformes à la norme EN 62552 (EU). Les exigences en matière de ventilation, les dimensions

des évidements et les dégagements arrière minimum doivent correspondre aux indications du « Installation » de ce manuel d'utilisation. Veuillez contacter le fabricant pour de plus amples

informations, notamment les plans de chargement.

12. EN MATIÈRE DE PROTECTION DE L'ENVIRONNEMENT

Recyclez les matériaux portant le symbole . Déposez les emballages dans les conteneurs prévus à cet effet. Contribuez à la protection de l'environnement et à votre sécurité, recyclez vos produits électriques et

électroniques. Ne jetez pas les appareils portant le symbole  avec les ordures ménagères. Emmenez un tel produit dans votre centre local de recyclage ou contactez vos services municipaux.



INHALTSVERZEICHNIS

1. SICHERHEITSHINWEISE.....	37
2. SICHERHEITSANWEISUNGEN.....	40
3. MONTAGE.....	42
4. BETRIEB.....	45
5. TÄGLICHER GEBRAUCH.....	47
6. TIPPS UND HINWEISE.....	48
7. REINIGUNG UND PFLEGE.....	49
8. PROBLEMBEHEBUNG.....	50
9. GERÄUSCHE.....	53
10. TECHNISCHE DATEN.....	53
11. INFORMATIONEN FÜR PRÜFINSTITUTE.....	54
12. UMWELTTIPPS.....	54

WIR DENKEN AN SIE

Vielen Dank, dass Sie sich für ein Gerät von Electrolux entschieden haben. Sie haben ein Produkt gewählt, hinter dem jahrzehntelange professionelle Erfahrung und Innovation stehen. Bei der Entwicklung dieses großartigen und eleganten Geräts haben wir an Sie gedacht. So haben Sie bei jedem Gebrauch die Gewissheit, dass Sie stets großartige Ergebnisse erzielen werden. Willkommen bei Electrolux.

Besuchen Sie uns auf unserer Website, um:



Anwendungshinweise, Prospekte, Fehlerbehebungs-, Service- und Reparatur-Informationen zu erhalten:

www.electrolux.com/support



Ihr erworbenes Produkt zu registrieren, um den besten Service für es zu gewährleisten:

www.registerelectrolux.com



Zubehör, Verbrauchsmaterial und Original-Ersatzteile für Ihr Gerät zu erwerben:

www.electrolux.com/shop

REPARATUR- UND KUNDENDIENST

Verwenden Sie ausschließlich Original-Ersatzteile.

Halten Sie folgende Angaben bereit, wenn Sie sich an den Kundendienst wenden: Modell, Produktnummer (PNC), Seriennummer.

Diese Informationen finden Sie auf dem Typenschild.



Warnungs-/Sicherheitshinweise



Allgemeine Informationen und Empfehlungen



Informationen zum Umweltschutz

Änderungen vorbehalten.

1. ⚠ SICHERHEITSHINWEISE

Lesen Sie vor der Montage und dem Gebrauch des Geräts zuerst die Bedienungsanleitung. Bei

Verletzungen oder Schäden infolge nicht ordnungsgemäßer Montage oder Verwendung übernimmt der Hersteller keine Haftung. Bewahren Sie die Anleitung zum Nachschlagen an einem sicheren und zugänglichen Ort auf.

1.1 Sicherheit von Kindern und schutzbedürftigen Personen

- Das Gerät kann von Kindern ab 8 Jahren und Personen mit eingeschränkten physischen, sensorischen oder geistigen Fähigkeiten oder mit mangelnder Erfahrung / mangelndem Wissen benutzt werden, wenn sie durch eine für ihre Sicherheit zuständige Person beaufsichtigt werden oder von dieser Person Anweisungen erhalten haben, wie das Gerät sicher zu bedienen ist und welche Gefahren bei nicht ordnungsgemäßer Bedienung bestehen. Kinder im Alter von 3 bis 8 Jahren und Personen mit sehr umfangreichen und komplexen Behinderungen dürfen das Gerät unter der Voraussetzung, dass sie ordnungsgemäß angewiesen wurden, ein- und ausladen. Halte Kinder unter 3 Jahren vom Gerät fern, wenn sie nicht ständig beaufsichtigt werden.
- Kinder sollten beaufsichtigt werden, um sicherzustellen, dass sie nicht mit dem Gerät spielen.
- Kinder dürfen keine Reinigung und Wartung des Geräts ohne Beaufsichtigung durchführen.
- Halten Sie sämtliches Verpackungsmaterial von Kindern fern und entsorgen Sie es ordnungsgemäß.

1.2 Allgemeine Sicherheit

- Dieses Gerät ist nur für die Aufbewahrung von Lebensmitteln und Getränken bestimmt.
- Dieses Gerät ist für den häuslichen Gebrauch im Haushalt in Innenräumen konzipiert.
- Dieses Gerät darf in Büros, Hotelzimmern, Gästezimmern in Pensionen, Bauernhöfen und anderen ähnlichen Unterkünften verwendet werden,

wenn diese Nutzung das (durchschnittliche) Nutzungsniveau im Haushalt nicht überschreitet.

- Um eine Kontaminierung von Lebensmitteln zu vermeiden, beachten Sie die folgenden Hinweise:
 - Öffnen Sie die Tür nicht über längere Zeit hinweg;
 - Reinigen Sie regelmäßig Oberflächen, die mit Lebensmitteln in Kontakt kommen können, und zugängliche Ablaufsysteme;
- **WARNUNG:** Halten Sie die Lüftungsöffnungen im Gerätegehäuse oder in der Einbaunische frei von Hindernissen.
- **WARNUNG:** Versuchen Sie nicht, den Abtauvorgang durch andere als vom Hersteller empfohlene mechanische oder sonstige Hilfsmittel zu beschleunigen.
- **WARNUNG:** Achten Sie darauf, den Kältekreislauf nicht zu beschädigen.
- **WARNUNG:** Betreiben Sie in den Lebensmittelfächern des Geräts keine anderen als die vom Hersteller empfohlenen Elektrogeräte.
- Reinigen Sie das Gerät nicht mit Wasserspray oder Dampf.
- Reinigen Sie das Gerät mit einem weichen, feuchten Tuch. Verwenden Sie ausschließlich Neutralreiniger. Verwenden Sie keine Scheuermittel, Scheuerschwämme, scharfe Reinigungsmittel oder Metallgegenstände.
- Wenn das Gerät längere Zeit leer steht, schalten Sie es aus, tauen Sie es ab, reinigen und trocknen Sie es und lassen Sie die Tür offen, um Schimmelbildung im Gerät zu vermeiden.
- Bewahren Sie keine explosiven Substanzen wie Aerosoldosen mit brennbarem Treibgas in diesem Gerät auf.
- Wenn das Netzkabel beschädigt ist, muss es vom Hersteller, einem autorisierten Kundendienst oder einer ähnlich qualifizierten Person zur Vermeidung einer Gefahrenquelle ersetzt werden.

2. SICHERHEITSANWEISUNGEN

2.1 Montage



WARNUNG!

Nur eine qualifizierte Fachkraft darf die Montage des Geräts vornehmen.

- Entfernen Sie das gesamte Verpackungsmaterial.
- Montieren Sie ein beschädigtes Gerät nicht und benutzen Sie es nicht.
- Halten Sie sich an die mitgelieferte Montageanleitung.
- Seien Sie beim Umsetzen des Gerätes vorsichtig, da es sehr schwer ist. Tragen Sie stets Sicherheitshandschuhe und festes Schuhwerk.
- Stellen Sie sicher, dass die Luft um das Gerät zirkulieren kann.
- Warten Sie nach der Montage oder dem Wechsel des Türanschlags mindestens 4 Stunden, bevor Sie das Gerät an die Stromversorgung anschließen. So kann das Öl in den Kompressor zurückfließen.
- Ziehen Sie den Stecker aus der Steckdose, bevor Sie am Gerät arbeiten (z.B. Wechsel des Türanschlags).
- Stellen Sie das Gerät nicht in der Nähe von Heizkörpern oder Herden, Backöfen oder Kochfeldern auf, es sei denn, in der Installationsanleitung ist etwas anderes angegeben.
- Setzen Sie das Gerät nicht dem Regen aus.
- Installieren Sie das Gerät nicht an einem Ort mit direkter Sonneneinstrahlung.
- Stellen Sie dieses Gerät nicht in Bereichen auf, die zu feucht oder kalt sind.
- Wenn Sie das Gerät verschieben, heben Sie es an der Vorderkante an, um den Fußboden nicht zu verkratzen.

2.2 Elektrischer Anschluss



WARNUNG!

Brand- und Stromschlaggefahr.



WARNUNG!

Achten Sie bei der Montage des Geräts darauf, dass das Netzkabel nicht eingeklemmt oder beschädigt wird.



WARNUNG!

Verwenden Sie keine Mehrfachsteckdosen und Verlängerungskabel.

- Das Gerät muss geerdet sein.
- Stellen Sie sicher, dass die Daten auf dem Typenschild mit den elektrischen Nennwerten der Netzspannung übereinstimmen.
- Schließen Sie das Gerät nur an eine ordnungsgemäß installierte Schutzkontaktsteckdose an.
- Achten Sie darauf, die elektrischen Bauteile nicht zu beschädigen (z. B. Netzstecker, Netzkabel, Kompressor). Wenden Sie sich zum Austausch elektrischer Bauteile an das autorisierte Service-Zentrum oder einen Elektriker.
- Das Netzkabel muss unterhalb des Netzsteckers liegen.
- Stecken Sie den Netzstecker erst nach Abschluss der Montage in die Steckdose. Stellen Sie sicher, dass der Netzstecker nach der Montage noch zugänglich ist.
- Ziehen Sie nicht am Netzkabel, wenn Sie das Gerät von der Stromversorgung trennen möchten. Ziehen Sie stets am Netzstecker.

2.3 Gebrauch



WARNUNG!

Es besteht Verletzungs-, Verbrennungs-, Stromschlag- oder Brandgefahr.



Das Gerät enthält Isobutan (R600a), ein brennbares Erdgas mit einem hohen Grad an Umweltverträglichkeit. Achten Sie darauf, den Kältekreislauf, der Isobutan enthält, nicht zu beschädigen.

- Nehmen Sie keine technischen Änderungen am Gerät vor.
- Stellen Sie keine elektrischen Geräte (z. B. Eisbereiter) in das Gerät, wenn solche Geräte nicht ausdrücklich vom Hersteller für diesen Zweck zugelassen sind.
- Wird der Kältekreislauf beschädigt, stelle bitte sicher, dass keine Flammen und Zündquellen im Raum vorhanden sind. Lüften Sie den Raum.
- Achten Sie darauf, dass keine heißen Gegenstände auf die Kunststoffteile des Geräts gelangen.
- Geben Sie keine Softdrinks in das Gefrierfach. Dadurch entsteht Druck auf den Getränkebehälter.
- Lagern Sie keine brennbaren Gase und Flüssigkeiten im Gerät.
- Platzieren Sie keine entflammaren Produkte oder Gegenstände, die mit entflammaren Produkten benetzt sind, im Gerät, auf dem Gerät oder in der Nähe des Geräts.
- Berühren Sie nicht den Kompressor oder den Kondensator. Diese sind heiß.
- Nehmen Sie keine Gegenstände aus dem Gefrierfach und berühren Sie diese nicht, falls Ihre Hände nass oder feucht sind.
- Frieren Sie aufgetaute Lebensmittel nicht wieder ein.
- Befolgen Sie die Hinweise auf der Verpackung zur Aufbewahrung tiefgekühlter Lebensmittel.
- Wickeln Sie die Lebensmittel in Lebensmittelkontaktmaterial ein, bevor Sie sie in das Gefrierfach legen.
- Achten Sie darauf, dass keine Lebensmittel mit den Innenwänden der Gerätefächer in Berührung kommen.

2.4 Reinigung und Pflege



WARNUNG!

Andernfalls besteht Verletzungsgefahr und das Gerät könnte beschädigt werden.

- Schalten Sie das Gerät immer aus und ziehen Sie den Netzstecker aus der Steckdose, bevor

Reinigungsarbeiten durchgeführt werden.

- Der Kältekreis des Gerätes enthält Kohlenwasserstoffe. Das Gerät muss von einer qualifizierten Fachkraft gewartet und nachgefüllt werden.
- Prüfen Sie regelmäßig den Wasserabfluss des Geräts und reinigen Sie ihn gegebenenfalls. Bei verstopftem Wasserabfluss sammelt sich das Abtauwasser am Boden des Geräts an.

2.5 Service

- Wenden Sie sich zur Reparatur des Geräts an das autorisierte Servicezentrum. Dabei dürfen ausschließlich Originalersatzteile verwendet werden.
- Bitte beachten Sie, dass eigene Reparaturen oder Reparaturen, die nicht von Fachkräften durchgeführt werden, die Sicherheit des Geräts beeinträchtigen und zum Erlöschen der Garantie führen können.
- Die folgenden Ersatzteile werden auch nach dem Auslauf des Modells 7 Jahre lang vorgehalten: Thermostate, Temperatursensoren, Platinen, Lichtquellen, Lichtquellen, Türscharniere, Backbleche und Körbe. Bitte beachten Sie, dass einige dieser Ersatzteile nur an Reparaturbetriebe geliefert werden können und nicht alle Ersatzteile für alle Modelle relevant sind.
- Türdichtungen sind innerhalb von 10 Jahren nach ProduktEinstellung des Modells erhältlich.

2.6 Entsorgung



WARNUNG!

Verletzungs- und Erstickungsgefahr.

- Trennen Sie das Gerät von der Stromversorgung.
- Schneiden Sie das Netzkabel ab, und entsorgen Sie es.
- Entfernen Sie die Tür, um zu verhindern, dass sich Kinder oder Haustiere in dem Gerät einschließen.
- Der Kältekreislauf und die Isolierungsmaterialien dieses Gerätes sind ozonfreundlich.

- Die Isolierung enthält entzündliches Gas. Für Informationen zur korrekten Entsorgung des Gerätes wenden Sie sich an Ihre kommunale Behörde.
- Achten Sie darauf, dass die Kühleinheit in der Nähe des

Wärmetauschers nicht beschädigt wird.

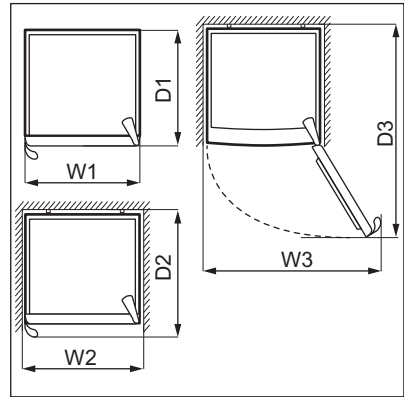
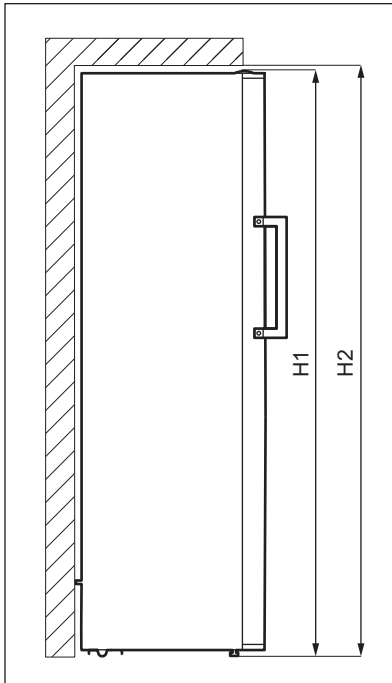
3. MONTAGE



WARNUNG!

Siehe Kapitel „Sicherheitshinweise“.

3.1 Abmessungen



Gesamtabmessungen ¹		
H1*	mm	1550
W1	mm	595
D1	mm	650

¹ Höhe, Breite und Tiefe des Geräts ohne Griff

* einschließlich der Höhe des oberen Scharniers (10 mm)

Platzbedarf während des Betriebs ²		
H2	mm	1700
W2	mm	695
D2	mm	753

² Höhe, Breite und Tiefe des Geräts einschließlich Griff und zuzüglich des notwendigen Freiraums für die Zirkulation der Kühlluft

Platzbedarf insgesamt während des Betriebs ³		
H2	mm	1700
W3	mm	990
D3	mm	1244

³ Höhe, Breite und Tiefe des Geräts einschließlich Griff plus des notwendigen Freiraums für die Zirkulation der Kühlluft, zuzüglich des Platzes, der notwendig ist, um eine Türöffnung bis zu dem minimalen Winkel zu ermöglichen, der die Entfernung der gesamten Innenausstattung erlaubt

3.2 Aufstellungsort

Dieses Gerät ist nicht für die Verwendung als Einbaugerät vorgesehen.

Im Falle einer anderen als der freistehenden Installation und unter Einhaltung des Platzbedarfs funktioniert das Gerät korrekt, aber der Energieverbrauch kann leicht ansteigen.

Um die beste Funktionalität des Gerätes zu gewährleisten, sollten Sie das Gerät nicht in der Nähe von Wärmequellen (Backöfen, Heizöfen, Heizkörpern, Herden oder Kochfeldern) oder an einem Ort mit direkter Sonneneinstrahlung installieren. Stellen Sie sicher, dass die Luft frei um die Geräterückseite zirkulieren kann.

Dieses Gerät sollte in einem trockenen, gut belüfteten Innenbereich aufgestellt werden.

Um einen einwandfreien Betrieb sicherzustellen, muss der Mindestabstand zur Oberseite des Gehäuses eingehalten werden, wenn das Gerät unter einem Hängeschrank aufgestellt wird. Idealerweise sollte das Gerät jedoch nicht unter überhängenden Wandeinheiten positioniert werden. Das Gerät muss mithilfe eines Fußes oder

mehrerer verstellbarer Füße am Sockel des Gehäuses ausgerichtet werden.



VORSICHT!

Wenn Sie das Gerät gegen eine Wand stellen, verwenden Sie die mitgelieferten hinteren Abstandhalter für die Rückseite, um den Mindestabstand, der in der Montageanleitung angegeben ist, einzuhalten.



VORSICHT!

Wenn Sie das Gerät neben einer Wand aufstellen, halten Sie den in der Montageanleitung angegebenen Mindestabstand zwischen der Wand und Geräteseite mit den Scharnieren ein, damit sich die Tür weit genug öffnen lässt, um die Innenausstattung herauszunehmen (z. B. für die Reinigung).

Dieses Gerät ist für den Einsatz bei einer Umgebungstemperatur von 10°C bis 43°C vorgesehen.



Der ordnungsgemäße Betrieb des Geräts wird nur innerhalb des angegebenen Temperaturbereichs gewährleistet.



Wenn Sie Zweifel bezüglich der Installation des Geräts haben, wenden Sie sich bitte an den Verkäufer, unseren Kundenservice oder an den nächstgelegenen autorisierten Kundenservice.



Es muss möglich sein, das Gerät vom Netz zu trennen. Daher muss der Stecker nach der Installation zugänglich bleiben.

3.3 Elektrischer Anschluss

- Stellen Sie vor dem Anschließen sicher, dass die auf dem Typenschild

angezeigte Spannung und Frequenz mit Ihrer Hausstromversorgung übereinstimmt.

- Das Gerät muss geerdet sein. Der Netzstecker des Stromkabels ist hierfür mit einem Kontakt versehen. Wenn die Steckdose nicht geerdet ist, schließen Sie das Gerät gemäß den geltenden Vorschriften an eine separate Erdung an und wenden Sie sich an einen qualifizierten Elektriker.
- Der Hersteller lehnt jegliche Verantwortung ab, wenn die oben genannten Sicherheitsvorkehrungen nicht eingehalten werden.

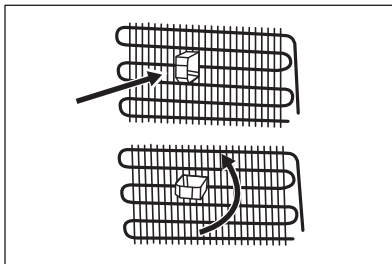
3.4 Ausrichten

Achten Sie beim Aufstellen des Gerätes darauf, dass es waagrecht steht. Dies kann durch zwei Schraubfüße an der Vorderseite erreicht werden.

3.5 Hintere Abstandshalter

In der Tüte mit der Dokumentation befinden sich zwei Abstandshalter, die wie in der Abbildung gezeigt angebracht werden müssen.

Wenn das Gerät freistehend an einer Wand aufgestellt wird, sollten die hinteren Abstandshalter montiert werden, um den für die Luftzirkulation erforderlichen Mindestabstand zu gewährleisten.



3.6 Wechselbare Anschlagseite der Tür

Informationen zu Montage und zum Wechseln des Türanschlags finden Sie in einer separaten Anleitung.



VORSICHT!

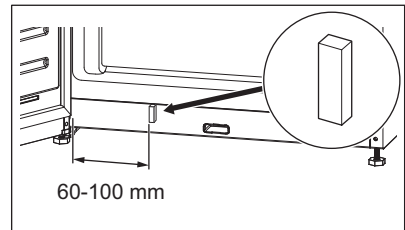
Wenn Sie den Türanschlag wechseln, schützen Sie den Boden mit einem strapazierfähigen Material vor Kratzern.

3.7 Einfaches Öffnen

Die Kühlluft im Gerät zieht sich zusammen und verursacht einen Unterdruck, was das Öffnen der Tür erschwert. Um das Öffnen des Geräts zu erleichtern, verwenden Sie eine Klebefolie aus dem Beutel mit Dokumentation.

So installieren Sie die Klebefolie:

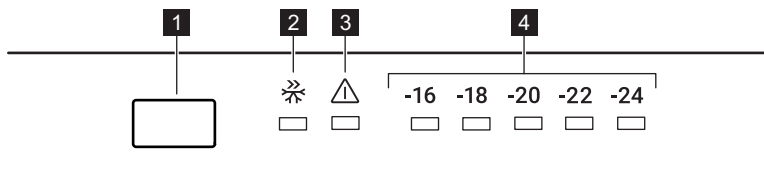
1. Ziehen Sie den Liner von der Rückseite der Folie ab.
2. Kleben Sie die Folie im unteren Bereich des Geräts an den Rahmen, in einem Abstand von mindestens 60 mm bis 100 mm vom Scharnier.



Halten Sie die Folie von Kindern fern. Verschluckungsgefahr.

4. BETRIEB

4.1 Bedienfeld



- 1** Temperaturregulierungstaste
- 2** Super Freeze-Anzeige
- 3** Alarmanzeige

- 4** Temperaturanzeigen

4.2 Ein- und Ausschalten

Schalten Sie das Gerät durch Einstecken des Netzsteckers in die Wandsteckdose ein.

- i** Um alle Funktionen zu deaktivieren, aktivieren Sie den Standby-Modus. Siehe Abschnitt „Standby-Modus“.

Ziehen Sie den Netzstecker aus der Steckdose, um das Gerät auszuschalten.

4.3 Temperaturregelung

Die empfohlene Einstelltemperatur ist:

- -18 °C für das Gefriergerät.

Der Temperaturbereich kann zwischen -16 °C und -24 °C variieren.

Drücken Sie zum Einstellen der Temperatur des Geräts den Temperaturreglerknopf wiederholt, bis Sie die gewünschte Temperatur des Gefrierraums erreichen.

Berücksichtigen Sie für eine exakte Einstellung, dass die Temperatur im Inneren des Geräts von folgenden Faktoren abhängt:

- Raumtemperatur,
- Häufigkeit der Türöffnung,
- Menge der gelagerten Lebensmittel,
- Gerätestandort.

Eine mittlere Einstellung ist im Allgemeinen am besten geeignet.

Die Temperaturanzeigen zeigen die eingestellte Temperatur an.

- i** Die eingestellte Temperatur wird innerhalb von 24 Stunden erreicht.

4.4 Hochtemperaturalarm

- i** Der Alarm wird aktiviert, wenn Sie das Gerät zum ersten Mal anschließen.

Der Alarm wird ausgelöst, wenn die Temperatur im Gerät zu hoch ist.

Während des Alarms:

- die Alarmanzeige blinkt,
- die Temperaturanzeige -24 blinkt,
- der akustische Alarm ertönt.

Ausschalten des Alarms

- Drücken Sie eine beliebige Taste auf dem Bedienfeld, um den Alarm auszuschalten. Die Alarmanzeige bleibt eingeschaltet, bis die Temperatur wiederhergestellt ist.
- Der Alarmton schaltet sich nach 1 Stunde automatisch ab. Die Alarmanzeige blinkt und die Temperaturanzeige -24 blinkt.
- Wenn das Gerät wieder die eingestellte Temperatur erreicht hat, werden der Signalton und die Alarmanzeige abgeschaltet. Prüfen Sie, ob die Lebensmittel darin verdorben oder aufgetaut sind. Wenn ja, siehe Abschnitt „Abtauen“.



Informationen zur Einstellung der Gerätetemperatur finden Sie im Abschnitt „Temperaturregelung“.

4.5 Super Freeze-Funktion

Die Super Freeze-Funktion dient dazu, das Gefrierfach auf das Vorgefrieren und anschließende Schnellgefrieren der Lebensmittel vorzubereiten. Es ist eine Schnellgefrierfunktion, die die Tiefkühlung neu hinzukommender Lebensmittel beschleunigt und gleichzeitig die bereits tiefgekühlten Lebensmittel vor unerwünschter Erwärmung schützt.



Um frische Lebensmittel einzufrieren, schalten Sie die Super Freeze-Funktion mindestens 24 Stunden, bevor Sie die einzufrierenden Lebensmittel in das Gefrierfach hineinlegen, ein, um das Vorgefrieren abzuschließen.

Drücken Sie zum Einschalten dieser Funktion wiederholt die Temperaturregulierungstaste, bis die Anzeige Super Freeze erscheint.

Diese Funktion endet automatisch nach 54 Stunden.

Sie können die Super Freeze-Funktion vor ihrer automatischen Abschaltung ausschalten, indem Sie das Verfahren wiederholen, bis die Anzeige Super Freeze erlischt, oder indem Sie eine andere Temperatur für das Gefrierfach einstellen.

4.6 Alarm - Tür offen

Wenn die Gefrierschranktür etwa 2 Minuten geöffnet bleibt, ertönt der Signalton und die Alarmanzeige blinkt.

Der Signalton erlischt nach dem Schließen der Tür.

4.7 Alarm

Bei Kühlproblemen, Stromausfällen oder erheblichen Temperaturänderungen im Gerät leuchtet die Alarmanzeige rot und es ertönt ein Warnton.



Der Alarm kann leuchten, wenn Sie das Gerät zum ersten Mal anschließen.

Weitere mögliche Ursachen für die Auslösung des Alarms und Lösungen zur Deaktivierung finden Sie im Kapitel „Problembeseitigung“.

4.8 Standby-Modus

Aktivieren Sie den Standby-Modus, um die Gefrierfunktion auszuschalten und damit den Energieverbrauch des Geräts zu senken.

So aktivieren Sie den Modus Standby:

1. Stellen Sie die Temperatur für den -16°C ein. Siehe Abschnitt „Temperaturregelung“.
2. Halten Sie die Temperaturregulierungstaste gedrückt, bis alle Temperaturanzeigen 3 Mal blinken.



Wenn Sie die Temperaturregulierungstaste drücken, während der Modus Standby eingeschaltet ist, blinken alle Temperaturanzeigen 3 Mal.

Sie können den Modus Standby deaktivieren, indem Sie das oben beschriebene Verfahren wiederholen.



Im Modus Standby kann die Temperatur im Gerät über die eingestellte -16°C steigen. Wenn dies geschieht, nachdem der Modus deaktiviert wurde, leuchtet die Alarmanzeige und der akustische Alarm ist eingeschaltet. Wenn das Gerät die Temperatur automatisch senkt, werden die Alarmanzeige und der akustische Alarm deaktiviert.

5. TÄGLICHER GEBRAUCH

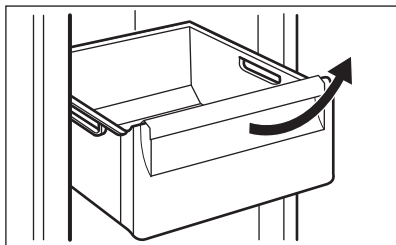
5.1 Bewegliche Ablage

Die Wände des Gefrierraums sind mit einer Reihe von Führungsschienen ausgestattet, damit Sie die Ablage leicht entfernen können.

5.2 Gefrierschrankschubladen aus- und einbauen

So entnehmen Sie eine Schublade aus dem Gefrierraum:

1. Öffnen Sie die Gefrierschrantür vollständig.
2. Ziehen Sie die Schublade bis zum Anschlag heraus.
3. Heben Sie die Schublade vorne leicht an und nehmen Sie sie vom Gerät ab.



Führen Sie zum Einsetzen der Schublade in die ursprüngliche Position die obigen Schritte in umgekehrter Reihenfolge durch.

5.3 Einfrieren frischer Lebensmittel

Das Gefrierfach eignet sich zum Einfrieren frischer Lebensmittel und zur langfristigen Aufbewahrung gefrorener und tiefgefrorener Lebensmittel.

Um frische Lebensmittel einzufrieren, schalten Sie die Super Freeze-Funktion ein, mindestens 24 Stunden, bevor Sie die einzufrierenden Lebensmittel in das Gefrierfach legen.

Lagern Sie frische Lebensmittel gleichmäßig verteilt im/in der ersten Fach oder Schublade von oben.

Die maximale Menge an Lebensmitteln, die ohne Hinzufügen von anderen frischen Lebensmittel innerhalb von 24 Stunden eingefroren werden kann, ist auf dem Typenschild (einem Schild im Gerät) angegeben.

5.4 Lagerung von Tiefkühlgerichten

Lassen Sie das Gerät vor der ersten Inbetriebnahme oder nach einer Zeit, in der das Gerät nicht benutzt wurde, mindestens 3 Stunden lang mit eingeschalteter Funktion Super Freeze laufen, bevor Sie Lebensmittel in das Fach legen.

Die Gefrierschubladen sorgen dafür, dass das gewünschte Lebensmittelpaket schnell und einfach zu finden ist. Sollen große Mengen an Lebensmitteln aufbewahrt werden, entfernen Sie alle Schubladen, mit Ausnahme der untersten Schublade, die für eine gute Luftzirkulation eingesetzt bleiben muss.

Lagern Sie die Lebensmittel auf den Ablagen mit einem Mindestabstand zur Tür von 15 mm.



VORSICHT!

Kam es zum Auftauen zum Beispiel durch einen Stromausfall, der länger dauerte, als der auf dem Typenschild angegebene Wert unter „Lagerzeit bei Störung“, dann müssen die aufgetauten Lebensmittel schnell verbraucht oder sofort gekocht und nach dem Abkühlen wieder eingefroren werden.

5.5 Abtauen

Tiefgefrorene oder gefrorene Lebensmittel können vor der Verwendung je nach der zur Verfügung stehenden Zeit im Kühlschrank oder bei Raumtemperatur aufgetaut werden.

Kleine Teile können sogar direkt aus dem Gefrierschrank gekocht werden. In diesem Fall dauert das Kochen länger.

6. TIPPS UND HINWEISE

6.1 Tipps zum Energiesparen

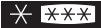
- Die interne Konfiguration des Geräts gewährleistet die effizienteste Energienutzung.
- Öffnen Sie die Tür nicht zu häufig, und lassen Sie diese nicht länger offen als notwendig.
- Je kälter die Temperatureinstellung, desto höher der Energieverbrauch.
- Sorgen Sie für eine gute Belüftung. Bedecken Sie die Belüftungsgitter oder -öffnungen nicht.
- Vergewissern Sie sich, dass die Lebensmittel im Inneren des Geräts eine Luftzirkulation durch entsprechende Öffnungen im hinteren Teil des Geräts ermöglichen.

6.2 Hinweise zum Einfrieren

- Schalten Sie die Super Freeze-Funktion mindestens 24 Stunden, bevor Sie die Lebensmittel in das Gefrierfach hinein legen, ein.
- Vor dem Einfrieren verpacken und verschließen Sie frische Lebensmittel in: Aluminiumfolie, Kunststoffolie oder -beutel, luftdichte Behälter mit Deckel.
- Teilen Sie die Lebensmittel in kleine Portionen, um das Einfrieren und Auftauen zu erleichtern.
- Es wird empfohlen, Ihre tiefgekühlten Lebensmittel mit Etiketten und dem Datum zu versehen. So können Sie die Lebensmittel identifizieren und erkennen wann sie verzehrt werden sollten, bevor sie verderben.
- Die Lebensmittel sollten beim Einfrieren frisch sein, um eine gute Qualität zu bewahren. Besonders Obst und Gemüse sollte nach der Ernte eingefroren werden, um alle Nährstoffe zu erhalten.
- Frieren Sie keine Flaschen oder Dosen mit Flüssigkeiten, insbesondere kohlenensäurehaltige Getränke, ein - die Gefäße können beim Einfrieren explodieren.
- Geben Sie keine heißen Lebensmittel in den Gefrierraum. Vergewissern Sie sich, dass sie auf Raumtemperatur abgekühlt sind, bevor Sie sie in das Fach legen.

- Um eine Erwärmung bereits eingefrorener Lebensmittel zu verhindern, legen Sie die frischen, nicht gefrorenen Lebensmittel nicht direkt neben sie. Legen Sie die Lebensmittel mit Raumtemperatur in die Gefrierfächer, die keine gefrorenen Lebensmittel enthalten.
- Essen Sie keine Eiswürfel, Wassereis oder Eis am Stiel, wenn sie direkt aus dem Gefriergerät genommen wurden. Gefahr von Erfrierungen.
- Frieren Sie aufgetaute Lebensmittel nicht wieder ein. Wenn Lebensmittel aufgetaut wurden, kochen Sie sie, lassen Sie sie abkühlen und frieren Sie sie dann ein.

6.3 Hinweise zur Lagerung von Tiefkühlgerichten

- Das Gefrierfach ist mit  gekennzeichnet.
- Eine gute Temperatureinstellung, die die Konservierung von Tiefkühlgerichten sicherstellt, ist eine Temperatur von weniger oder gleich -18 °C. Eine höhere Temperatureinstellung im Gerät kann die Haltbarkeit verkürzen.
- Der gesamte Gefrierraum ist für die Lagerung von Tiefkühlprodukten geeignet.
- Lassen Sie ausreichend Platz um die Lebensmittel herum, damit die Luft frei zirkulieren kann.
- Die Haltbarkeit von Lebensmitteln ist auf dem Etikett der Lebensmittelverpackung angegeben.
- Es ist wichtig, die Lebensmittel so zu verpacken, dass kein Wasser, Feuchtigkeit oder Kondenswasser ins Innere gelangt.

6.4 Einkaufstipps

Nach dem Lebensmitteleinkauf:

- Achten Sie darauf, dass die Verpackung nicht beschädigt ist - die Lebensmittel könnten verdorben sein. Wenn die Verpackung aufgequollen oder nass ist, wurde das Lebensmittel möglicherweise nicht unter den

- optimalen Bedingungen gelagert und das Auftauen hat eventuell bereits begonnen.
- Um den Auftauprozess zu minimieren, kaufen Sie Tiefkühlware am Ende Ihres Einkaufs und transportieren Sie diese in einer Isoliertasche.
 - Legen Sie die tiefgefrorenen Lebensmittel sofort nach der Rückkehr aus dem Laden in das Gefriergerät.
 - Wenn Lebensmittel auch nur teilweise aufgetaut sind, dürfen sie nicht wieder eingefroren werden. Verzehren Sie sie schnell wie möglich.
 - Beachten Sie das Haltbarkeitsdatum und die Lagerinformationen auf der Verpackung.

6.5 Lagerdauer

Lebensmittel	Lagerdauer (Monate)
Brot	3
Früchte (außer Zitrusfrüchten)	6 - 12
Gemüse	8 - 10
Reste ohne Fleisch	1 - 2
Molkereiprodukte:	
Butter	6 - 9
Weichkäse (z. B. Mozzarella)	3 - 4
Hartkäse (z. B. Parmesan, Cheddar)	6
Meeresfrüchte:	
Fetthaltiger Fisch (z. B. Lachs, Makrele)	2 - 3
Fettarmer Fisch (z. B. Dorsch, Flunder)	4 - 6
Shrimps	12
Muscheln und Miesmuscheln ohne Schale	3 - 4
Gekochter Fisch	1 - 2
Fleisch:	
Geflügel	9 - 12
Rindfleisch	6 - 12
Schweinefleisch	4 - 6
Lamm	6 - 9
Wurst	1 - 2
Schinken	1 - 2
Reste mit Fleisch	2 - 3

7. REINIGUNG UND PFLEGE



WARNUNG!
Siehe Kapitel
„Sicherheitshinweise“.

7.1 Reinigung des Innenraums

Vor der ersten Verwendung des Geräts sollten der Innenraum und das gesamte interne Zubehör mit lauwarmem Wasser und etwas neutraler Seife gewaschen werden, um den typischen Geruch eines

brandneuen Produkts zu entfernen, und anschließend gründlich getrocknet werden.



VORSICHT!

Verwenden Sie keine chemischen Reinigungsmittel, Scheuerpulver, chlor- oder ölhaltige Reinigungsmittel, da diese die Oberfläche beschädigen.



VORSICHT!

Das Zubehör und die Teile des Geräts sind nicht zur Reinigung im Geschirrspüler geeignet.

7.2 Regelmäßige Reinigung

Das Gerät muss regelmäßig gereinigt werden:

1. Reinigen Sie die Innenseite und das Zubehör mit lauwarmem Wasser und etwas neutraler Seife.
2. Prüfen und säubern Sie die Türdichtungen in regelmäßigen Abständen, um zu gewährleisten, dass diese sauber und frei von Fremdkörpern sind.
3. Reinigen Sie den Kondensator mindestens zweimal im Jahr mit einer Bürste.
4. Reinigen Sie die Evaporator-Schale regelmäßig, um angesammeltes Wasser zu entfernen.

5. Gründlich abspülen und trocknen.

7.3 Abtauen des Geräts

Das Abtauen des Gefrierfachs erfolgt automatisch. Allerdings kann sich an den Innenwänden des Gefrierfachs eine Reifschicht bilden, wenn die Gefrierschranktür häufig geöffnet oder zu lange offen gehalten wird.

7.4 Abtauen des Geräts

Reif im Verdampfer des Kühlfachs wird bei jedem Anhalten des Motorkompressors während des Normalbetriebs automatisch eliminiert. Das Abtauwasser läuft durch eine Wanne in einen speziellen Behälter an der Rückseite des Geräts neben dem Motorkompressor ab, wo es verdampft.

7.5 Stillstandszeiten

Bei längerem Stillstand des Geräts müssen Sie folgende Vorkehrungen treffen:

1. Trennen Sie das Gerät von der Stromversorgung.
2. Entfernen Sie alle Lebensmittel.
3. Reinigen Sie das Gerät und alle Zubehörteile.
4. Lassen Sie die Tür offen, um das Entstehen unangenehmer Gerüche zu vermeiden.

8. PROBLEMBEHEBUNG



WARNUNG!

Siehe Kapitel „Sicherheitshinweise“.

8.1 Was zu tun ist, wenn ...

Störung	Mögliche Ursache	Lösung
Das Gerät funktioniert nicht.	Das Gerät ist ausgeschaltet.	Schalten Sie das Gerät ein.
	Der Netzstecker ist nicht richtig in die Netzsteckdose eingesteckt.	Stecken Sie den Netzstecker richtig in die Netzsteckdose.

Störung	Mögliche Ursache	Lösung
	Die Netzsteckdose hat keine Netzspannung.	Schließen Sie ein anderes Elektrogerät an der Netzsteckdose an. Wenden Sie sich an einen qualifizierten Elektriker.
Das Gerät ist laut.	Das Gerät ist nicht ordnungsgemäß abgestützt.	Prüfen Sie, ob sich das Gerät in einer stabilen Position befindet.
Der Kompressor arbeitet ständig.	Die Temperatur ist falsch eingestellt.	Siehe Kapitel „Betrieb“.
	Es wurden viele Lebensmittel gleichzeitig hineingelegt.	Warten Sie einige Stunden und prüfen Sie erneut die Temperatur.
	Die Raumtemperatur ist zu hoch.	Siehe Kapitel „Montage“.
	Die Lebensmittel, die im Gerät aufbewahrt werden, waren zu warm.	Lassen Sie die Lebensmittel vor deren Aufbewahrung auf Raumtemperatur abkühlen.
	Die Tür ist nicht richtig geschlossen.	Siehe Abschnitt „Schließen der Tür“.
	Die Funktion Super Freeze ist eingeschaltet.	Siehe Abschnitt „Funktion Super Freeze“.
Der Kompressor schaltet sich nicht sofort ein, nachdem Sie „Super Freeze“ gedrückt oder die Temperatur auf einen anderen Wert eingestellt haben.	Der Kompressor startet nach einer gewissen Zeit.	Das ist normal; es ist kein Fehler aufgetreten.
Die Tür ist falsch ausgerichtet oder beeinträchtigt das Lüftungsgitter.	Das Gerät ist nicht ausgerichtet.	Siehe Montageanleitung.
Die Tür lässt sich nicht leicht öffnen.	Sie haben versucht, die Tür unmittelbar nach dem Schließen erneut zu öffnen.	Warten Sie einige Sekunden zwischen dem Schließen und erneutem Öffnen der Tür.
Zu viel Frost und Eis.	Die Tür ist nicht richtig geschlossen.	Siehe Abschnitt „Schließen der Tür“.
	Die Dichtung ist verzogen oder verschmutzt.	Siehe Abschnitt „Schließen der Tür“.
	Die Lebensmittel sind nicht richtig verpackt.	Verpacken Sie die Lebensmittel besser.

Störung	Mögliche Ursache	Lösung
	Die Temperatur ist falsch eingestellt.	Siehe Kapitel „Betrieb“.
	Das Gerät ist voll von Lebensmitteln und auf die niedrigste Temperatur eingestellt.	Stellen Sie eine höhere Temperatur ein. Siehe Kapitel „Betrieb“.
	Die Temperatur im Gerät ist zu niedrig, und die Umgebungstemperatur ist zu hoch.	Stellen Sie eine höhere Temperatur ein. Siehe Kapitel „Betrieb“.
Wasser fließt auf den Boden.	Der Tauwasserablauf ist nicht an die Verdampfungsschale über dem Kompressor angeschlossen.	Bringen Sie den Tauwasserablauf an der Verdampfungsschale an.
Die Temperatur kann nicht eingestellt werden.	Die Funktion Super Freeze ist eingeschaltet.	Schalten Sie die Funktion Super Freeze manuell aus oder warten Sie mit dem Einstellen der Temperatur, bis die Funktion automatisch ausgeschaltet wird. Siehe Abschnitt „Funktion Super Freeze“.
Die Temperatur im Gerät ist zu niedrig/zuhoch.	Die Temperatur ist nicht richtig eingestellt.	Stellen Sie eine höhere/niedrigere Temperatur ein.
	Die Tür ist nicht richtig geschlossen.	Siehe Abschnitt „Schließen der Tür“.
	Die Temperatur der Lebensmittel ist zu hoch.	Lassen Sie die Lebensmittel auf Raumtemperatur abkühlen, bevor Sie diese in das Kühlgerät legen.
	Viele Lebensmittel werden gleichzeitig in das Kühlgerät gelegt.	Legen Sie weniger Lebensmittel gleichzeitig in das Kühlgerät.
	Die Tür wurde zu oft geöffnet.	Öffnen Sie die Tür nur bei Bedarf.
	Die Funktion Super Freeze ist eingeschaltet.	Siehe Abschnitt „Funktion Super Freeze“.
	Im Gerät herrscht keine Kaltluftzirkulation.	Stellen Sie sicher, dass die Kaltluft im Gerät zirkulieren kann. Siehe Kapitel „Tipps und Hinweise“.

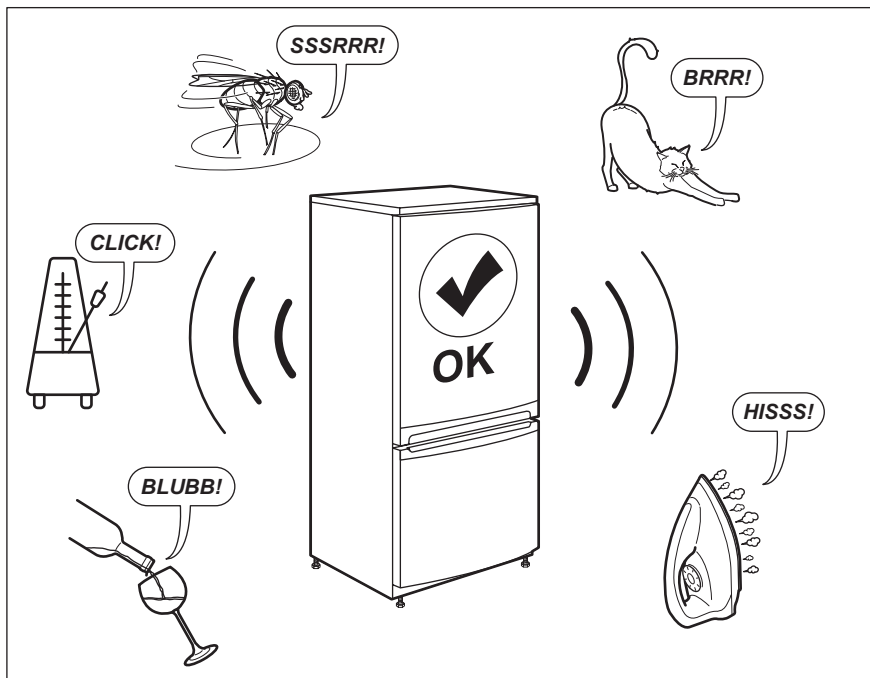
- i** Wenn die Ratschläge nicht zum gewünschten Ergebnis führen, wenden Sie sich an das nächste autorisierte Servicezentrum.

2. Passen Sie die Tür bei Bedarf an. Siehe Kapitel „Montage“.
3. Ersetzen Sie bei Bedarf die defekten Türdichtungen. Wenden Sie sich an den autorisierten Kundendienst.

8.2 Schließen der Tür

1. Reinigung der Türdichtungen.

9. GERÄUSCHE



10. TECHNISCHE DATEN

Die technischen Daten befinden sich auf dem Typenschild innen im Gerät sowie auf der Energieplakette.

Der QR-Code auf der Energieplakette des Geräts bietet einen Web-Link zu Informationen über die Geräteleistung in der EU EPREL-Datenbank. Bewahren Sie daher die Energieplakette als Referenz zusammen mit dieser Bedienungsanleitung und allen anderen Unterlagen, die mit dem Gerät geliefert wurden, auf.

Es ist auch möglich, die gleichen Informationen in EPREL zu finden, indem Sie den Link <https://eprel.ec.europa.eu> sowie den Modellnamen und die Produktnummer, die Sie auf dem Typenschild des Geräts finden, verwenden.


Beachten Sie den Link www.theenergylabel.eu bezüglich detaillierter Informationen zur Energieplakette.


11. INFORMATIONEN FÜR PRÜFINSTITUTE

Die Installation und die Vorbereitung des Geräts für eine eventuelle EcoDesign-Prüfung müssen mit EN 62552 (EU) übereinstimmen. Die Lüftungsanforderungen, die Abmessungen der Einbaunische und die Mindestabstände sind in dieser

Bedienungsanleitung unter „Montage“, beschrieben. Weitere Informationen erhalten Sie vom Hersteller, einschließlich der Beladungspläne.

12. UMWELTTIPPS

Recyceln Sie Materialien mit dem Symbol . Entsorgen Sie die Verpackung in den entsprechenden Recyclingbehältern. Recyceln Sie zum Umwelt- und Gesundheitsschutz elektrische und elektronische Geräte.

Entsorgen Sie Geräte mit diesem Symbol  nicht mit dem Hausmüll. Bringen Sie das Gerät zu Ihrer örtlichen Sammelstelle oder wenden Sie sich an Ihr Gemeindeamt.

INDICE

1. INFORMAZIONI DI SICUREZZA.....	55
2. ISTRUZIONI DI SICUREZZA.....	58
3. INSTALLAZIONE.....	60
4. FUNZIONAMENTO.....	63
5. USO QUOTIDIANO.....	65
6. CONSIGLI E SUGGERIMENTI.....	66
7. CURA E PULIZIA.....	67
8. RISOLUZIONE DEI PROBLEMI.....	68
9. RUMORI.....	71
10. DATI TECNICI.....	71
11. INFORMAZIONI PER GLI ISTITUTI DI TEST.....	71
12. CONSIDERAZIONI SULL'AMBIENTE.....	72

PENSIAMO A TE

Grazie per aver acquistato un elettrodomestico Electrolux. Hai scelto un prodotto che ha alle spalle decenni di esperienza professionale e innovazione. Ingegnoso ed elegante, è stato progettato pensando a te. Quindi, in qualsiasi momento lo utilizzi, avrai la certezza di ottenere sempre i migliori risultati.

Ti diamo il benvenuto in Electrolux.

Visitate il nostro sito web per:



Ricevere consigli, scaricare i nostri opuscoli, eliminare eventuali anomalie, ottenere informazioni sull'assistenza e la riparazione:

www.electrolux.com/support



Per registrare il vostro prodotto e ricevere un servizio migliore:

www.registerelectrolux.com



Acquistare accessori, materiali di consumo e ricambi originali per la vostra apparecchiatura:

www.electrolux.com/shop

ASSISTENZA CLIENTI E ASSISTENZA TECNICA

Consigliamo sempre l'impiego di ricambi originali.

Quando si contatta il nostro Centro di Assistenza Autorizzato, accertarsi di avere a disposizione i dati seguenti: Modello, numero dell'apparecchio (PNC), numero di serie.

Le informazioni sono riportate sulla targhetta identificativa.

Avvertenza/Attenzione - Importanti Informazioni per la sicurezza

Informazioni generali e suggerimenti

Informazioni ambientali

Con riserva di modifiche.

1. INFORMAZIONI DI SICUREZZA

Leggere attentamente le istruzioni fornite prima di installare e utilizzare l'apparecchiatura. I produttori non

sono responsabili di eventuali lesioni o danni derivanti da un'installazione o un uso scorretti. Conservare sempre le istruzioni in un luogo sicuro e accessibile per poterle consultare in futuro.

1.1 Sicurezza dei bambini e delle persone vulnerabili

- Quest'apparecchiatura può essere usata da bambini a partire da 8 anni di età e da adulti con capacità fisiche, sensoriali o mentali limitate o con scarsa esperienza e conoscenza sull'uso dell'apparecchiatura, solamente se sorvegliati o se istruiti relativamente all'utilizzo in sicurezza dell'apparecchiatura e se hanno compreso i rischi coinvolti. I bambini di età compresa tra i 3 e gli 8 anni e le persone con disabilità diffuse e complesse possono caricare e scaricare l'apparecchiatura a condizione che siano stati istruiti adeguatamente. Tenere i bambini al di sotto dei 3 anni lontani dall'apparecchiatura, a meno che non vi sia una supervisione continua.
- Sorvegliare i bambini per assicurarsi che non giochino con l'apparecchiatura.
- I bambini non devono eseguire interventi di pulizia e manutenzione sull'elettrodomestico senza essere supervisionati.
- Tenere gli imballaggi lontano dai bambini e smaltirli in modo adeguato.

1.2 Avvertenze di sicurezza generali

- Quest'apparecchiatura è destinata esclusivamente alla conservazione di alimenti e bevande.
- Quest'apparecchiatura è progettata per un uso domestico singolo in un ambiente interno.
- Quest'apparecchiatura può essere utilizzata in uffici, camere d'albergo, camere di bed & breakfast, alloggi in agriturismo e altre sistemazioni simili in cui tale utilizzo non superi i livelli di utilizzo domestico (medi).

- Per evitare la contaminazione degli alimenti rispettare le seguenti istruzioni:
 - non aprire la porta per lunghi periodi;
 - pulire regolarmente le superfici che possono venire a contatto con gli alimenti e i sistemi di drenaggio accessibili;
- **AVVERTENZA:** Verificare che le aperture di ventilazione, sia sull'apparecchiatura che nella struttura da incasso, siano libere da ostruzioni.
- **AVVERTENZA:** Non usare dispositivi elettrici o altri mezzi artificiali non raccomandati dal produttore allo scopo di accelerare il processo di sbrinamento.
- **AVVERTENZA:** Non danneggiare il circuito refrigerante.
- **AVVERTENZA:** Non utilizzare apparecchiature elettriche all'interno dei comparti di conservazione degli alimenti, ad eccezione di quelli consigliati dal costruttore.
- Non nebulizzare acqua né utilizzare vapore per pulire l'apparecchiatura.
- Pulire l'apparecchiatura con un panno inumidito e morbido. Utilizzare solo detergenti neutri. Non usare prodotti abrasivi, spugnette abrasive, solventi od oggetti metallici.
- Quando l'apparecchiatura resta vuota per un lungo periodo di tempo, spegnerla, sbrinarla, pulirla, asciugarla e lasciare la porta aperta per evitare la formazione di muffa al suo interno.
- Non conservare in questa apparecchiatura sostanze esplosive come bombolette spray contenenti un propellente infiammabile.
- Se il cavo di alimentazione è danneggiato, deve essere sostituito dal produttore, da un tecnico autorizzato o da una persona qualificata per evitare situazioni di pericolo.

2. ISTRUZIONI DI SICUREZZA

2.1 Installazione



AVVERTENZA!

L'installazione dell'apparecchiatura deve essere eseguita da personale qualificato.

- Rimuovere tutti i materiali di imballaggio.
- Non installare o utilizzare l'apparecchiatura se è danneggiata.
- Attenersi alle istruzioni fornite insieme all'apparecchiatura.
- Prestare sempre attenzione in fase di spostamento dell'apparecchiatura, dato che è pesante. Usare sempre i guanti di sicurezza e le calzature adeguate.
- Assicurarsi che l'aria possa circolare liberamente attorno all'apparecchiatura.
- In fase di prima installazione o dopo aver girato la porta, attendere almeno 4 ore prima di collegare l'apparecchiatura alla sorgente di alimentazione. Questo serve a consentire all'olio di fluire nuovamente nel compressore.
- Prima di eseguire eventuali operazioni sull'apparecchiatura (ad esempio invertire la porta), togliere la spina dalla presa di corrente.
- Non installare l'apparecchiatura vicino a radiatori o fornelli, forni o piani cottura, se non diversamente specificato nelle istruzioni di installazione.
- Non esporre l'apparecchiatura alla pioggia.
- Non installare l'apparecchiatura dove sia esposta alla luce solare diretta.
- Non installare questa apparecchiatura in aree troppo umide o troppo fredde.
- Quando si sposta l'apparecchiatura, sollevarla dal bordo anteriore, così da non graffiare il pavimento.

2.2 Collegamento elettrico



AVVERTENZA!

Rischio di incendio e scossa elettrica.



AVVERTENZA!

In fase di posizionamento dell'apparecchiatura, verificare che il cavo di alimentazione non sia intrappolato o danneggiato.



AVVERTENZA!

Non utilizzare prese multiple e prolunghe.

- L'apparecchiatura deve disporre di una messa a terra.
- Verificare che i parametri sulla targhetta siano compatibili con le indicazioni elettriche dell'alimentazione.
- Utilizzare sempre una presa elettrica con contatto di protezione correttamente installata.
- Accertarsi di non danneggiare i componenti elettrici (ad es. la spina di alimentazione, il compressore). Contattare il centro di assistenza tecnica autorizzato o un elettricista per sostituire i componenti elettrici.
- Il cavo di alimentazione deve rimanere sotto il livello della spina di alimentazione.
- Inserire la spina di alimentazione nella presa solo al termine dell'installazione. Verificare che la spina di alimentazione rimanga accessibile dopo l'installazione.
- Non tirare il cavo di alimentazione per scollegare l'apparecchiatura. Tirare sempre dalla spina.

2.3 Utilizzo



AVVERTENZA!

Rischio di lesioni, scottature o scosse elettriche.



L'apparecchiatura contiene gas infiammabile, isobutano (R600a), un gas naturale con un alto livello di compatibilità ambientale. Fare attenzione a non danneggiare il circuito refrigerante che contiene isobutano.

- Non modificare le specifiche tecniche dell'apparecchiatura.
- Non introdurre apparecchiature elettriche (ad es. gelatiere) nell'apparecchiatura se non specificamente consentito dal produttore.
- Nel caso di danno al circuito refrigerante, assicurarsi che non si sviluppino fiamme libere e scintille nel locale. Aerare bene l'ambiente.
- Non appoggiare oggetti incandescenti sulle parti in plastica dell'apparecchiatura.
- Non introdurre bevande analcoliche nel vano congelatore. Si verrà a creare una pressione nel contenitore della bevanda.
- Non conservare gas e liquidi infiammabili nell'apparecchiatura.
- Non appoggiare o tenere liquidi o materiali infiammabili, né oggetti facilmente infiammabili sull'apparecchiatura, al suo interno o nelle immediate vicinanze.
- Non toccare il compressore o il condensatore. Sono incandescenti.
- Non togliere o toccare gli oggetti nel vano congelatore con le mani bagnate o umide.
- Non ricongelare del cibo precedentemente scongelato.
- Attenersi alle istruzioni per la conservazione riportate sulla confezione del cibo surgelato.
- Avvolgere gli alimenti con materiali per uso alimentare prima di metterli nello scomparto del congelatore.
- Evitare che gli alimenti vengano a contatto con le pareti interne degli scomparti dell'apparecchiatura.

2.4 Pulizia e cura



AVVERTENZA!

Rischio di lesioni o danni all'apparecchiatura.

- Prima di eseguire qualunque intervento di manutenzione, spegnere l'apparecchiatura ed estrarre la spina dalla presa.
- L'unità refrigerante di questa apparecchiatura contiene idrocarburi. L'unità deve essere ricaricata ed

ispezionata esclusivamente da personale qualificato.

- Controllare regolarmente lo scarico dell'apparecchiatura e, se necessario, pulirlo. L'ostruzione dello scarico può causare un deposito di acqua di sbrinamento sul fondo dell'apparecchiatura.

2.5 Assistenza

- Per far riparare l'apparecchiatura, rivolgersi a un Centro di Assistenza Autorizzato. Utilizzare solo ricambi originali.
- Tenere presente che la riparazione autonoma o non professionale possono avere conseguenze sulla sicurezza e potrebbero invalidare la garanzia.
- I seguenti pezzi di ricambio saranno disponibili per 7 anni dopo la cessazione della produzione del modello: termostati, sensori di temperatura, circuiti stampati, sorgenti luminose, maniglie delle porte, cerniere delle porte, vassoi e cestelli. Si prega di notare che alcuni di questi pezzi di ricambio sono disponibili solo per i riparatori professionisti e che non tutti i pezzi di ricambio sono rilevanti per tutti i modelli.
- Le guarnizioni per porte saranno disponibili per 10 anni dopo l'interruzione del modello.

2.6 Smaltimento



AVVERTENZA!

Rischio di lesioni o soffocamento.

- Staccare la spina dall'alimentazione elettrica.
- Tagliare il cavo di rete e smaltirlo.
- Rimuovere la porta per evitare che bambini e animali domestici rimangano chiusi all'interno dell'apparecchiatura.
- Il circuito refrigerante e i materiali di isolamento di questa apparecchiatura rispettano l'ozono.
- La schiuma isolante contiene gas infiammabili. Contattare le autorità locali per ricevere informazioni su come smaltire correttamente l'apparecchiatura.

- Non danneggiare i componenti dell'unità refrigerante che si trovano vicino allo scambiatore di calore.

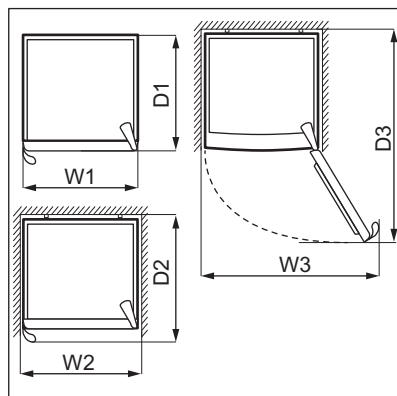
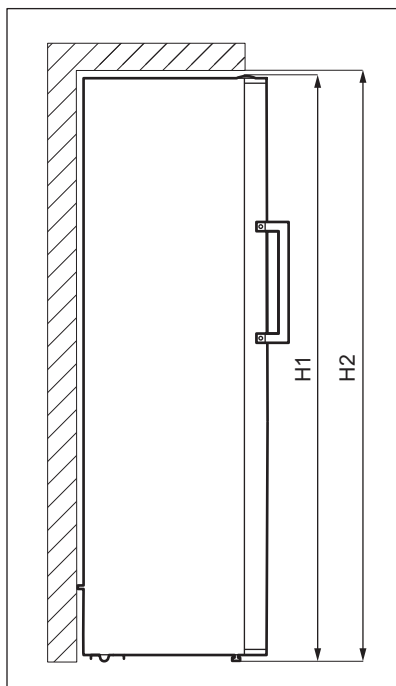
3. INSTALLAZIONE



AVVERTENZA!

Fare riferimento ai capitoli sulla sicurezza.

3.1 Dimensioni



Dimensioni complessive ¹		
H1*	mm	1550
W1	mm	595
D1	mm	650

¹ l'altezza, la larghezza e la profondità dell'apparecchiatura senza l'impugnatura

* compresa l'altezza della cerniera superiore (10 mm)

Spazio necessario durante l'uso ²		
H2	mm	1700
W2	mm	695
D2	mm	753

² l'altezza, la larghezza e la profondità dell'apparecchio, compresa la maniglia, più lo spazio necessario per la libera circolazione dell'aria di raffreddamento

Spazio complessivo necessario durante l'uso ³		
H2	mm	1700
W3	mm	990
D3	mm	1244

³ l'altezza, la larghezza e la profondità dell'apparecchiatura, compresa la maniglia, più lo spazio necessario per la libera circolazione dell'aria di raffreddamento, più lo spazio necessario per consentire l'apertura della porta con l'angolazione minima che permette la rimozione di tutte le apparecchiature interne

3.2 Posizione

Questa apparecchiatura non è stata pensata per essere usata come apparecchiatura da incasso.

In caso di installazione diversa da quella libera rispettando lo spazio richiesto dalle dimensioni d'uso, l'apparecchiatura funzionerà correttamente ma il consumo energetico potrebbe aumentare leggermente.

Per garantire la migliore funzionalità dell'elettrodomestico, non si dovrebbe installare l'apparecchio nelle vicinanze di fonti di calore (forno, stufe, termosifoni, fornelli o piani di cottura) o in luoghi esposti alla luce solare diretta. Controllare che sul retro dell'apparecchio sia garantita un'adeguata circolazione dell'aria.

Questa apparecchiatura deve essere installata in una posizione interna asciutta e ben ventilata.

Per garantire le migliori prestazioni, se l'apparecchiatura è posizionata sotto un pensile a sbalzo, deve essere mantenuta la distanza minima tra la parte superiore dell'armadio. L'apparecchiatura non deve tuttavia essere posizionata sotto un pensile. Uno o più piedini regolabili alla base dell'armadietto garantiscono che l'apparecchiatura resti in piano.



ATTENZIONE!

Se si posiziona l'apparecchiatura contro la parete, utilizzare i distanziatori posteriori in dotazione o mantenere la distanza minima indicata nelle istruzioni di installazione.



ATTENZIONE!

Se si installa l'apparecchiatura vicino a una parete, fare riferimento alle istruzioni di installazione per capire la distanza minima tra la parete e il lato dell'apparecchio dove le cerniere della porta devono fornire spazio sufficiente per aprire la porta quando l'apparecchiatura interna viene rimossa (ad es. durante la pulizia)..

Quest'elettrodomestico è destinato a essere utilizzato a temperature ambiente che vanno da 10°C a 43°C.



Il corretto funzionamento dell'apparecchiatura può essere garantito solo nel rispetto delle temperature indicate.



In caso di dubbi sul luogo di installazione dell'apparecchiatura, contattare il venditore, il nostro Centro di Assistenza o il Centro di Assistenza Autorizzato più vicino.



Deve essere possibile scollegare l'apparecchiatura dalla rete elettrica. Eseguire perciò l'installazione facendo sì che la spina rimanga facilmente accessibile.

3.3 Collegamento elettrico

- Prima di collegare la spina, assicurarsi che la tensione e la frequenza indicate sulla targhetta

identificativa corrispondano all'alimentazione elettrica domestica.

- L'apparecchiatura deve essere collegata a terra. La spina del cavo di alimentazione è dotata di un contatto adatto a tal fine. Se la presa di alimentazione domestica non è collegata a terra, collegare l'apparecchiatura a una messa a terra separata in conformità alle normative vigenti, consultando un elettricista qualificato.
- Il produttore declina ogni responsabilità qualora non vengono rispettate le precauzioni per la sicurezza di cui sopra.

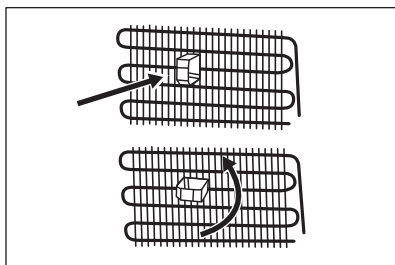
3.4 Livellamento

Quando si posiziona l'elettrodomestico, assicurarsi che sia in piano. Ciò può essere effettuato con due piedini regolabili nella parte inferiore anteriore.

3.5 Distanziatori posteriori

Nella confezione contenente la documentazione sono presenti due distanziatori che vanno montati come mostrato in figura.

Se si posiziona l'apparecchiatura contro una parete in un'installazione indipendente, installare i distanziatori posteriori per garantire la distanza minima richiesta per la circolazione dell'aria.



3.6 Come invertire la porta

Fare riferimento al documento separato con le istruzioni per l'installazione e l'inversione della porta.



ATTENZIONE!

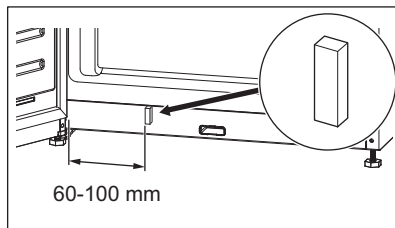
In ogni fase di inversione della porta proteggere il pavimento da graffi con un materiale resistente.

3.7 Apertura facile

L'aria di raffreddamento si contrae all'interno dell'apparecchiatura causando un'aspirazione, rendendo difficile l'apertura della porta. Per facilitare l'apertura dell'apparecchiatura, utilizzare una pellicola adesiva dalla busta con la documentazione.

Per installare la pellicola:

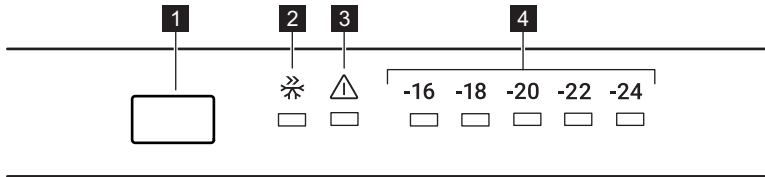
1. Staccare il rivestimento dalla parte posteriore della pellicola.
2. Incollare la pellicola sul telaio nella parte inferiore dell'apparecchiatura, a una distanza di almeno 60 mm fino a 100 mm dalla cerniera.



Tenere la pellicola fuori dalla portata dei bambini. Pericolo di ingestione.

4. FUNZIONAMENTO

4.1 Pannello dei comandi



1 Tasto di regolazione della temperatura

2 Indicatore Super Freeze

3 Spia allarme

4 Spia della temperatura

4.2 Accensione e spegnimento

Per accendere il dispositivo, inserire la spina nella presa di corrente.

i Per disabilitare tutte le funzioni, attivare la modalità Standby. Fare riferimento alla sezione "modalità Standby".

Per spegnere il dispositivo, scollegarlo.

4.3 Regolazione della temperatura

La temperatura impostata consigliata è:

- -18°C per il congelatore.

L'intervallo di temperatura può variare tra -16 °C e -24 °C .

Per impostare la temperatura dell'apparecchiatura, premere ripetutamente il tasto di regolazione della temperatura fino a raggiungere il livello desiderato.

È importante ricordare che la temperatura all'interno dell'apparecchiatura è condizionata dai seguenti fattori:

- temperatura ambiente,
- frequenza di apertura della porta,
- quantità di alimenti conservati,
- posizione dell'apparecchiatura.

In condizioni normali, si consiglia di utilizzare una regolazione media.

Le spie della temperatura mostrano la temperatura impostata.

i La temperatura impostata verrà raggiunta entro 24 ore.

4.4 Allarme temperatura elevata

i L'allarme si attiva quando si collega l'apparecchiatura all'alimentazione per la prima volta.

L'allarme si attiva quando temperatura all'interno dell'apparecchiatura è troppo alta.


Durante l'allarme:

- la spia di allarme lampeggia,
- la spia della temperatura -24 lampeggia,
- l'allarme acustico emette un segnale.

Spegnimento dell'allarme


- Premere un tasto sul pannello dei comandi per disattivare l'allarme. La spia di allarme è accesa fino al ripristino della temperatura.
- Il segnale acustico di allarme si spegne automaticamente dopo 1 ora. Lampeggiano sia la spia di allarme lampeggia sia la spia della temperatura -24.
- Se l'apparecchiatura torna alla temperatura impostata, si spengono il segnale acustico e la spia di allarme. Controllare che gli alimenti all'interno

non siano rovinati o scongelati. Se sì, vedere la sezione "Scongelamento".

-  Fare riferimento alla sezione "Regolazione della temperatura" per impostare la temperatura dell'apparecchiatura.

4.5 Super Freeze funzione

La funzione Super Freeze viene utilizzata per eseguire in sequenza il pre-congelamento e il congelamento rapido del vano congelatore. La funzione accelera il congelamento di alimenti freschi, proteggendo al tempo stesso gli alimenti già conservati da riscaldamenti indesiderati.

-  Per congelare alimenti freschi, attivare la funzione Super Freeze almeno 24 ore prima di introdurli nel vano congelatore.

Per attivare questa funzione, premere ripetutamente il tasto di regolazione della temperatura fino a quando non compare la spia Super Freeze.

Questa funzione si interrompe in modo automatico dopo 54 ore.

È possibile disattivare la funzione Super Freeze prima del suo arresto automatico ripetendo la procedura fino a quando l'indicatore Super Freeze si spegne o selezionando una diversa temperatura del vano congelatore.

4.6 Allarme di porta aperta


Se la porta del congelatore viene lasciata aperta per circa 2 minuti, si avvia l'allarme acustico e la spia di allarme lampeggia.

L'allarme si arresta dopo la chiusura della porta.

4.7 Allarme

In caso di problemi di raffreddamento, interruzioni dell'alimentazione o variazioni significative della temperatura all'interno dell'apparecchiatura, la spia di

allarme diventa rossa e si attiva il segnale acustico.

-  L'allarme può accendersi quando si collega l'apparecchiatura all'alimentazione per la prima volta.


Fare riferimento al capitolo "Risoluzione dei problemi" per altre cause possibili dell'attivazione dell'allarme e per le soluzioni su come disattivarlo.

4.8 Standby modalità


Attivare la modalità Standby per disattivare la funzione di congelamento e quindi ridurre il consumo energetico dell'apparecchiatura.

Per attivare la modalità Standby:

1. Impostare la temperatura per -16°C . Fare riferimento alla sezione "Regolazione della temperatura".
2. Tenere premuto il pulsante di regolazione della temperatura fino a quando tutte le spie della temperatura lampeggiano 3 volte.

-  Se si preme il pulsante di regolazione della temperatura mentre è attiva la modalità Standby, tutte le spie della temperatura lampeggiano 3 volte.

È possibile disattivare la modalità Standby ripetendo la procedura precedente.

-  Durante la modalità Standby la temperatura all'interno dell'apparecchiatura può salire al di sopra del valore impostato -16°C . Se ciò accade dopo la disattivazione della modalità, si accende la spia di allarme si accende e si attiva il segnale sonoro. Quando l'apparecchiatura abbassa automaticamente la temperatura, si disattivano la spia di allarme e il segnale sonoro.

5. USO QUOTIDIANO

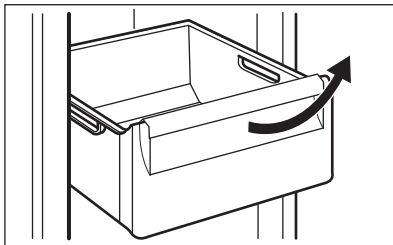
5.1 Ripiano mobile

Le pareti del vano congelatore sono dotate di una serie di guide che permettono di rimuovere facilmente il ripiano.

5.2 Rimozione e installazione dei cassetti del congelatore

Per rimuovere un cassetto dal vano congelatore:

1. Aprire completamente la porta del congelatore.
2. Estrarre il cassetto fino all'arresto.
3. Sollevare leggermente la parte anteriore del cassetto e rimuoverlo dall'apparecchiatura.



Per riportare il cassetto nella sua posizione iniziale, seguire i passaggi di cui sopra in ordine inverso.

5.3 Congelamento di alimenti freschi

Lo scomparto congelatore è adatto al congelamento di alimenti freschi e alla conservazione di alimenti congelati e surgelati a lungo.

Per congelare alimenti freschi, attivare la funzione Super Freeze almeno 24 ore prima di introdurla nel vano congelatore.

Conservare gli alimenti freschi distribuiti uniformemente nel primo scomparto o cassetto dall'alto.

La quantità massima di cibo che può essere congelata, senza l'aggiunta di

altri alimenti freschi per 24 ore, è indicata sulla targhetta (un'etichetta situata all'interno dell'apparecchiatura).

5.4 Conservazione di cibi congelati

Al primo avvio o dopo un periodo di non utilizzo, lasciare in funzione l'apparecchiatura per almeno 3 ore attivando la funzione Super Freeze prima di introdurre gli alimenti.

I cassetti del congelatore consentono di trovare rapidamente e facilmente la confezione di alimenti desiderata. Se occorre conservare grandi quantità di cibo, si consiglia di rimuovere tutti i cassetti ad eccezione del cassetto inferiore, la cui presenza è necessaria per assicurare la buona circolazione dell'aria.

Il cibo sui ripiani deve trovarsi ad una distanza di minimo 15 mm dalla porta.



ATTENZIONE!

In caso di scongelamento accidentale, ad esempio a causa di un'interruzione di corrente, se la corrente è rimasta spenta più a lungo del valore indicato sulla targhetta sotto "tempo di risalita", gli alimenti scongelati devono essere consumati rapidamente o cotti immediatamente, poi raffreddati e quindi ricongelati.

5.5 Scongelamento

Prima dell'utilizzo, i cibi surgelati o congelati possono essere scongelati nel frigorifero o, per un processo più veloce, a temperatura ambiente.

Gli alimenti divisi in piccole porzioni possono essere cucinati direttamente, senza essere prima scongelati: in questo caso la cottura durerà più a lungo.

6. CONSIGLI E SUGGERIMENTI

6.1 Consigli per il risparmio energetico

- L'uso più efficiente dell'energia dipende dalla configurazione interna dell'apparecchiatura.
- Non aprire frequentemente la porta e limitare il più possibile i tempi di apertura.
- Più fredda è l'impostazione della temperatura, maggiore è il consumo di energia.
- Garantire una buona ventilazione. Non coprire le griglie o i fori di ventilazione.
- Assicurarsi che i prodotti alimentari all'interno dell'apparecchio permettano la circolazione dell'aria attraverso appositi fori nella parte posteriore interna dell'apparecchio.


6.2 Consigli per il congelamento

- Attivare la funzione Super Freeze almeno 24 ore prima di inserire gli alimenti nel vano congelatore.
- Prima di congelare avvolgere e sigillare gli alimenti freschi in: foglio di alluminio, pellicola di plastica o sacchetti, contenitori ermetici con coperchio.
- Per congelare e scongelare in modo più efficace, suddividere gli alimenti in piccole porzioni.
- Si raccomanda di mettere etichette e date su tutti gli alimenti surgelati. Questo aiuterà a identificare gli alimenti e a sapere quando devono essere utilizzati prima del loro deterioramento.
- Il cibo deve essere fresco quando viene congelato per preservarne la buona qualità. Soprattutto frutta e verdura dovrebbero essere congelate dopo il raccolto per preservare tutte le loro sostanze nutritive.
- Non congelare bottiglie o lattine con liquidi, in particolare bevande contenenti anidride carbonica - potrebbero esplodere durante il congelamento.
- Non mettere cibi caldi nel congelatore. Raffreddarli a

temperatura ambiente prima di collocarli all'interno dello scomparto.

- Al fine di evitare gli aumenti di temperatura di alimenti già congelati, non mettere alimenti freschi scongelati nelle immediate vicinanze. Collocare gli alimenti a temperatura ambiente nella parte dello scomparto del congelatore dove non ci sono cibi surgelati.
- Non mangiare i cubetti di ghiaccio, i ghiaccioli o granite subito dopo averli tolti dal congelatore. Rischio di sintomi da congelamento.
- Non congelare nuovamente il cibo scongelato. Se il cibo si è scongelato, cuocerlo, raffreddarlo e poi congelarlo.

6.3 Consigli per la conservazione di cibi congelati

- Il vano congelatore è quello contrassegnato con .
- Una buona impostazione della temperatura che garantisce la conservazione degli alimenti congelati è una temperatura inferiore o uguale a -18 °C. L'impostazione di una temperatura più elevata all'interno dell'apparecchiatura può portare a una minore durata di conservazione.
- L'intero scomparto del congelatore è adatto alla conservazione di prodotti alimentari surgelati.
- Lasciare abbastanza spazio intorno al cibo per permettere all'aria di circolare liberamente.
- Per una conservazione adeguata, fare riferimento all'etichetta sulla confezione dell'alimento per vedere la durata di conservazione degli alimenti.
- È importante avvolgere il cibo in modo tale da evitare che l'acqua, l'umidità o la condensa penetrino all'interno.

6.4 Consigli per l'acquisto

Dopo aver acquistato alimenti:

- Assicurarsi che l'imballaggio non sia danneggiato - il cibo potrebbe

- deteriorarsi. Se la confezione è gonfia o bagnata, potrebbe non essere stata conservata nelle condizioni ottimali e lo sbrinamento potrebbe essere già iniziato.
- Per limitare il processo di scongelamento, acquistare i prodotti surgelati alla fine della spesa e trasportarli in un sacchetto termico e isolato.
 - Mettete i surgelati immediatamente nel congelatore dopo essere tornati dal negozio.
 - Se il cibo si è scongelato anche solo parzialmente, non congelarlo di nuovo. Consumarlo il prima possibile.
 - Rispettare la data di scadenza e le informazioni di conservazione sulla confezione.

6.5 Periodo di conservazione

Tipo di cibo	Periodo di conservazione (mesi)
Pane	3
Frutta (a eccezione degli agrumi)	6 - 12
Verdure	8 - 10
Avanzi senza carne	1 - 2
Latticini:	
Burro	6 - 9
Formaggio a pasta molle (ad es. mozzarella)	3 - 4
Formaggio a pasta dura (ad es. parmigiano, cheddar)	6
Frutti di mare:	
Pesci grassi (ad es. salmone, sgombro)	2 - 3
Pesci magri (ad es. merluzzo, platessa)	4 - 6
Gamberetti	12
Vongole e cozze sgusciate	3 - 4
Pesce cotto	1 - 2
Carne:	
Pollame	9 - 12
Manzo	6 - 12
Maiale	4 - 6
Agnello	6 - 9
Salsiccia	1 - 2
Prosciutto	1 - 2
Avanzi con carne	2 - 3

7. CURA E PULIZIA



AVVERTENZA!

Fare riferimento ai capitoli sulla sicurezza.

accessori con acqua tiepida e sapone neutro per eliminare il tipico odore dei prodotti nuovi, quindi asciugare accuratamente.

7.1 Pulizia dell'interno

Prima di utilizzare l'elettrodomestico per la prima volta, lavare l'interno e gli

**ATTENZIONE!**

Non usare detergenti, polveri abrasive, detergenti a base di cloro od olio, in quanto potrebbero danneggiare le finiture.

**ATTENZIONE!**

Gli accessori e le parti dell'elettrodomestico non sono adatti per essere lavati in lavastoviglie.

7.2 Pulizia periodica

L'apparecchiatura deve essere pulita regolarmente:

1. Pulire l'interno e gli accessori con acqua tiepida e sapone neutro.
2. Ispezionare regolarmente le guarnizioni della porta ed eliminare con un panno umido tracce di sporco e residui.
3. Pulire il condensatore con una spazzola almeno due volte all'anno.
4. Pulire periodicamente il vassoio dell'evaporatore per rimuovere l'acqua accumulata.
5. Sciacquare e asciugare accuratamente.

7.3 Sbrinamento dell'elettrodomestico

Lo sbrinamento del vano congelatore è automatico. Tuttavia, se la porta del

congelatore viene aperta frequentemente o rimane aperta troppo a lungo, uno strato di brina potrebbe formarsi sulle pareti interne del vano congelatore.

7.4 Sbrinamento dell'elettrodomestico

Durante il normale utilizzo, la brina viene eliminata automaticamente dall'evaporatore del vano frigorifero ogni volta che il motocompressore si arresta. L'acqua di sbrinamento viene scaricata attraverso una canalina in un contenitore speciale sul retro dell'apparecchiatura, vicino al compressore del motore, dove evapora.

7.5 Periodi di non utilizzo

Se l'apparecchiatura non viene utilizzata per un lungo periodo, adottare le seguenti precauzioni:

1. Scollegare l'apparecchiatura dalla rete elettrica.
2. Rimuovere tutto il cibo.
3. Pulire l'apparecchiatura e tutti gli accessori.
4. Lasciare la porta socchiusa/e per evitare la formazione di odori sgradevoli.

8. RISOLUZIONE DEI PROBLEMI

**AVVERTENZA!**

Fare riferimento ai capitoli sulla sicurezza.

8.1 Cosa fare se...

Problema	Causa possibile	Soluzione
L'apparecchiatura non funziona.	L'apparecchiatura è spenta.	Accendere l'apparecchiatura.
	La spina non è collegata correttamente alla presa elettrica.	Collegare correttamente la spina alla presa elettrica.

Problema	Causa possibile	Soluzione
	La presa elettrica non ha tensione.	Collegare un'apparecchiatura elettrica diversa alla presa di alimentazione. Contattare un elettricista qualificato.
L'apparecchiatura è rumorosa.	L'apparecchiatura non è supportata correttamente.	Controllare che l'apparecchiatura abbia una posizione stabile.
Il compressore funziona in modo continuo.	La temperatura non è impostata correttamente.	Vedere il capitolo "Funzionamento".
	Sono stati introdotti molti alimenti contemporaneamente.	Attendere alcune ore e ricontrollare la temperatura.
	La temperatura ambiente è troppo alta.	Vedere il capitolo "Installazione".
	Gli alimenti introdotti nell'apparecchiatura erano troppo caldi.	Prima di introdurre gli alimenti, lasciarli raffreddare a temperatura ambiente.
	La porta non è chiusa correttamente.	Fare riferimento alla sezione "Chiusura della porta".
	La funzione Super Freeze è attiva.	Vedere la sezione "funzione Super Freeze".
Il compressore non si avvia immediatamente dopo aver premuto il "Super Freeze", oppure dopo avere cambiato la temperatura.	Il compressore si avvia dopo un certo periodo di tempo.	È normale, non si tratta di un'anomalia di funzionamento.
La porta non è allineata o interferisce con la griglia di ventilazione.	L'apparecchiatura non è perfettamente in piano.	Fare riferimento alle istruzioni di installazione.
La porta non si apre facilmente.	Si è cercato di riaprire la porta subito dopo averla chiusa.	Attendere alcuni secondi fra la chiusura della porta e la sua riapertura.
C'è una quantità eccessiva di brina e ghiaccio.	La porta non è chiusa correttamente.	Fare riferimento alla sezione "Chiusura della porta".
	La guarnizione è deformato o sporca.	Fare riferimento alla sezione "Chiusura della porta".
	Gli alimenti non sono stati avvolti in maniera idonea.	Avvolgere meglio gli alimenti.
	La temperatura non è impostata correttamente.	Vedere il capitolo "Funzionamento".

Problema	Causa possibile	Soluzione
	L'apparecchiatura è completamente carica ed è impostata sulla temperatura più bassa.	Impostare una temperatura superiore. Vedere il capitolo "Funzionamento".
	La temperatura impostata nell'apparecchiatura è troppo bassa e la temperatura ambiente è troppo alta.	Impostare una temperatura superiore. Vedere il capitolo "Funzionamento".
L'acqua scorre sul pavimento.	Lo scarico dell'acqua di sbrinamento non è collegato alla vaschetta di evaporazione posta al di sopra del compressore.	Collegare lo scarico dell'acqua di sbrinamento alla vaschetta di evaporazione.
Non è possibile impostare la temperatura.	La funzione Super Freeze è attiva.	Disattivare manualmente la Super Freezefunzione oppure aspettare finché non si disattiva automaticamente per impostare la temperatura. Vedere la sezione "funzione Super Freeze".
La temperatura all'interno dell'apparecchiatura è troppo bassa/troppo alta.	La temperatura non è impostata correttamente.	Impostare una temperatura superiore/inferiore.
	La porta non è chiusa correttamente.	Fare riferimento alla sezione "Chiusura della porta".
	La temperatura degli alimenti è troppo alta.	Prima di introdurre gli alimenti, lasciarli raffreddare a temperatura ambiente.
	Sono stati introdotti molti alimenti contemporaneamente.	Introdurre meno alimenti poco alla volta allo stesso tempo.
	La porta viene aperta frequentemente.	Aprire la porta solo se necessario.
	La funzione Super Freeze è attiva.	Vedere la sezione "funzione Super Freeze".
	Nell'apparecchiatura non circola l'aria fredda.	Verificare che l'aria fredda circoli nell'apparecchiatura. Vedere il capitolo "Consigli e suggerimenti".



Se il suggerimento non da i risultati auspicati, contattare il Centro di Assistenza Autorizzato più vicino.

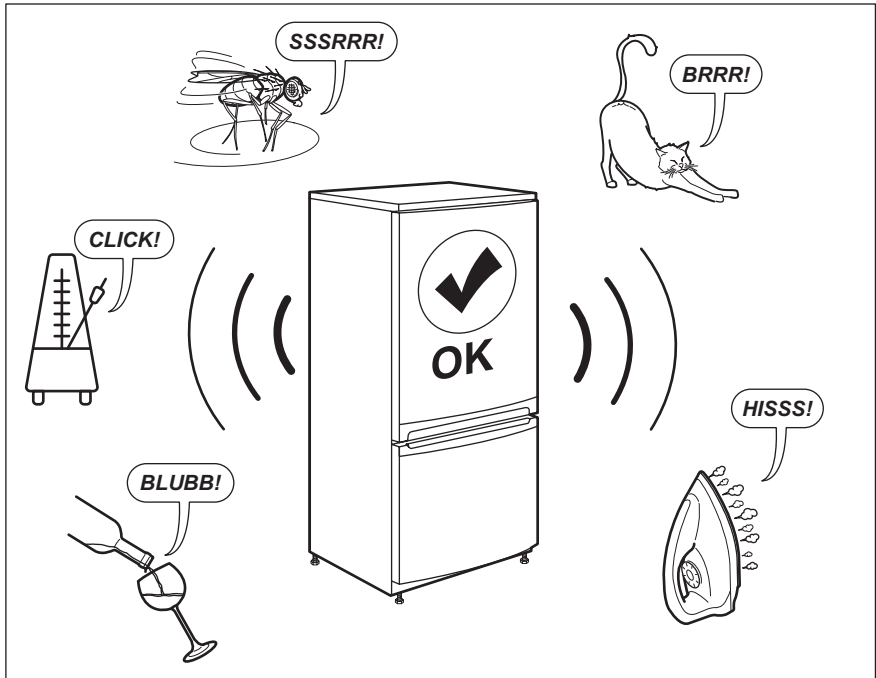
8.2 Chiusura della porta

1. Pulire le guarnizioni della porta.
2. Se necessario, regolare lo sportello. Vedere il capitolo "Installazione".

3. Se necessario, sostituire le guarnizioni difettose delle porte.

Contattare il Centro Assistenza Autorizzato.

9. RUMORI



10. DATI TECNICI

I dati tecnici sono riportati sulla targhetta dei dati applicata sul lato esterno dell'apparecchiatura e sull'etichetta dei valori energetici.

Il codice QR sull'etichetta energetica fornita con l'apparecchiatura riporta un link web alle informazioni correlate al funzionamento di questa apparecchiatura nella banca dati EPREL dell'UE. Conservare l'etichetta energetica come riferimento insieme al manuale d'uso e a tutti gli altri documenti forniti con questa apparecchiatura.

È possibile trovare le stesse informazioni anche in EPREL utilizzando il link <https://eprel.ec.europa.eu> e il nome del modello e il numero di prodotto che si trovano sulla targhetta dell'apparecchiatura.

Per informazioni dettagliate sull'etichetta energetica, vedere il sito www.theenergylabel.eu.

11. INFORMAZIONI PER GLI ISTITUTI DI TEST


L'installazione e la preparazione dell'apparecchiatura per qualsiasi verifica di EcoDesign devono essere conformi a


EN 62552 (EU). I requisiti di ventilazione, le dimensioni dell'incavo e le distanze minime dalla parte posteriore devono

essere conformi a quanto indicato nel presente manuale d'uso sotto "Installazione". Si prega di contattare il

produttore per qualsiasi altra informazione, compresi i piani di carico.

12. CONSIDERAZIONI SULL'AMBIENTE

Riciclare i materiali con il simbolo .
Buttare l'imballaggio negli appositi contenitori per il riciclaggio. Aiutare a proteggere l'ambiente e la salute umana e a riciclare rifiuti derivanti da apparecchiature elettriche ed elettroniche. Non smaltire le

apparecchiature che riportano il simbolo  insieme ai normali rifiuti domestici. Portare il prodotto al punto di riciclaggio più vicino o contattare il comune di residenza.

CONTENIDO

- 1. INFORMACIÓN SOBRE SEGURIDAD..... 73
- 2. INSTRUCCIONES DE SEGURIDAD..... 76
- 3. INSTALACIÓN..... 78
- 4. FUNCIONAMIENTO..... 81
- 5. USO DIARIO..... 83
- 6. CONSEJOS..... 84
- 7. CUIDADO Y LIMPIEZA..... 85
- 8. SOLUCIÓN DE PROBLEMAS..... 86
- 9. RUIDOS..... 89
- 10. DATOS TÉCNICOS..... 89
- 11. INFORMACIÓN PARA INSTITUTOS DE PRUEBAS..... 89
- 12. ASPECTOS MEDIOAMBIENTALES..... 90

PENSAMOS EN USTED

Gracias por adquirir un electrodoméstico Electrolux. Ha elegido un producto que lleva décadas de experiencia e innovación profesionales. Ingenioso y elegante, ha sido diseñado pensando en usted. Así pues, cada vez que lo utilice, puede tener la seguridad de que obtendrá siempre excelentes resultados.

Le damos la bienvenida a Electrolux.

Visite nuestro sitio web para:



Obtener consejos, folletos, soluciones a problemas e información de servicio y reparación:

www.electrolux.com/support



Registrar su producto para recibir un mejor servicio:

www.registerelectrolux.com



Comprar accesorios, artículos de consumo y piezas de recambio originales para su aparato:

www.electrolux.com/shop

ATENCIÓN AL CLIENTE Y SERVICIO

Le recomendamos que utilice recambios originales.

Cuando se ponga en contacto con nuestro Centro de servicio técnico, asegúrese de tener los siguientes datos disponibles: Modelo, código numérico del producto (PNC), número de serie.

La información se encuentra en la placa de características.

 Advertencia / Precaución - Información sobre seguridad

 Información general y consejos

 Información relativa al medioambiente

Salvo modificaciones.

1. INFORMACIÓN SOBRE SEGURIDAD

Antes de instalar y utilizar el aparato, lea atentamente las instrucciones facilitadas. El fabricante no se hace

responsable de lesiones o daños producidos como resultado de una instalación o un uso incorrectos. Conserve siempre estas instrucciones en lugar seguro y accesible para futuras consultas.

1.1 Seguridad de niños y personas vulnerables

- Este aparato puede ser utilizado por niños de 8 años en adelante y personas cuyas capacidades físicas, sensoriales o mentales estén disminuidas o que carezcan de la experiencia y conocimientos suficientes para manejarlo, siempre que cuenten con las instrucciones o la supervisión sobre el uso del electrodoméstico de forma segura y comprendan los riesgos. Los niños de 3 a 8 años y las personas con discapacidades muy extensas y complejas pueden cargar y descargar el aparato siempre que hayan sido debidamente instruidos. Es necesario mantener alejados del aparato a los niños de menos de 3 años salvo que estén bajo supervisión continua.
- Es necesario vigilar a los niños para que no jueguen con el aparato.
- La limpieza y mantenimiento de usuario del producto no podrán ser realizados por niños sin supervisión.
- Mantenga todo el material de embalaje fuera del alcance de los niños y deséchelo de forma adecuada.

1.2 Instrucciones generales de seguridad

- Este aparato está diseñado únicamente para almacenar alimentos y bebidas.
- Este aparato está diseñado para uso doméstico en interiores.
- Este aparato se puede utilizar en oficinas, habitaciones de hotel, habitaciones de Bed&Breakfast, casas de campo y otros alojamientos similares donde dicho uso no exceda (en promedio) los niveles de uso doméstico.
- Para evitar la contaminación alimentaria, respete las siguientes instrucciones:

- no abra la puerta durante largos periodos de tiempo;
- limpie regularmente las superficies que pueden entrar en contacto con los alimentos y los sistemas de drenaje accesibles;
- ADVERTENCIA: Mantenga libres de obstrucciones las aberturas de ventilación del alojamiento del aparato o de la estructura empotrada.
- ADVERTENCIA: No utilice dispositivos mecánicos u otros medios para acelerar el proceso de descongelación, excepto los recomendados por el fabricante.
- ADVERTENCIA: No dañe el circuito de refrigerante.
- ADVERTENCIA: No utilice aparatos eléctricos dentro de los compartimentos de almacenamiento de alimentos del aparato, a menos que sean del tipo recomendado por el fabricante.
- No utilice agua pulverizada ni vapor para limpiar el aparato.
- Limpie el aparato con un paño suave humedecido. Utilice solo detergentes neutros. No utilice productos abrasivos, estropajos duros, disolventes ni objetos de metal.
- Cuando el aparato esté vacío durante un largo período, apáguelo, descongélelo, límpielo, séquelo y deje la puerta abierta para evitar que se desarrolle moho en el interior del aparato.
- No almacene sustancias explosivas tales como latas de aerosol con un propulsor inflamable en este aparato.
- Si el cable de alimentación sufre algún daño, el fabricante, su servicio técnico autorizado o un profesional tendrán que cambiarlo para evitar riesgos.

2. INSTRUCCIONES DE SEGURIDAD

2.1 Instalación



ADVERTENCIA!

Solo un técnico cualificado puede instalar el aparato.

- Retire todo el embalaje.
- No instale ni utilice un aparato dañado.
- Siga las instrucciones de instalación suministradas con el aparato.
- Tenga cuidado al mover el aparato, porque es pesado. Utilice siempre guantes de protección y calzado cerrado.
- Asegúrese de que el aire pueda circular alrededor del aparato.
- En la primera instalación otras invertir el sentido de apertura de la puerta, espere al menos 4 horas antes de conectar el aparato a la alimentación eléctrica. Esto es para permitir que el aceite regrese al compresor.
- Desenchufe siempre el aparato antes de llevar a cabo cualquier operación, por ejemplo cambiar el sentido de apertura de la puerta.
- No instale el aparato cerca de radiadores, cocinas, hornos o placas de cocción, a menos que se especifique lo contrario en las instrucciones de instalación.
- No exponga el aparato a la lluvia.
- No instale el aparato en lugares con luz solar directa.
- No instale este aparato en áreas excesivamente húmedas o frías.
- Cuando mueva el aparato, levántelo por el borde delantero para evitar rayar el suelo.

2.2 Conexión eléctrica



ADVERTENCIA!

Riesgo de incendios y descargas eléctricas.



ADVERTENCIA!

Al colocar el producto, asegúrese de que el cable de alimentación no queda atrapado o doblado.



ADVERTENCIA!

No utilice adaptadores múltiples ni cables prolongadores.

- El aparato debe conectarse a tierra.
- Asegúrese de que los parámetros de la placa de características son compatibles con los valores eléctricos del suministro eléctrico.
- Utilice siempre una toma con aislamiento de conexión a tierra correctamente instalada.
- Asegúrese de no provocar daños en los componentes eléctricos (p. ej., enchufe, cable de alimentación, compresor). Póngase en contacto con el Centro de servicio autorizado o un electricista para cambiar los componentes eléctricos.
- El cable de alimentación debe permanecer por debajo del nivel del enchufe.
- Conecte el enchufe a la toma de corriente únicamente cuando haya terminado la instalación. Asegúrese de tener acceso al enchufe del suministro de red una vez finalizada la instalación.
- No desconecte el aparato tirando del cable de conexión a la red. Tire siempre del enchufe.

2.3 Uso



ADVERTENCIA!

Existe riesgo de lesiones, quemaduras, descargas eléctricas o incendios.



El aparato contiene un gas inflamable, isobutano (R600a), un gas natural con alto grado de compatibilidad medioambiental. Tenga cuidado para no dañar el circuito de refrigerante que contiene isobutano.

- No cambie las especificaciones de este aparato.
- No utilice otros aparatos eléctricos (como máquinas de hacer helados) dentro de aparatos de refrigeración,

salvo que el fabricante haya autorizado su utilización.

- Si se daña el circuito de refrigerante, asegúrese de que no haya llamas ni fuentes de ignición en la sala. Ventile la sala.
- No deje que los objetos calientes toquen las partes de plástico del aparato.
- No coloque refrescos en el congelador. De esta forma se creará presión en el contenedor de bebidas.
- No almacene gases ni líquidos inflamables en el aparato.
- No coloque productos inflamables o artículos mojados con productos inflamables dentro, cerca o sobre el aparato.
- No toque el compresor ni el condensador. Están calientes.
- No retire ni toque elementos del compartimento del congelador si sus manos están mojadas o húmedas.
- No vuelva a congelar los alimentos que se hayan descongelado.
- Siga las instrucciones del envase de los alimentos congelados.
- Envuelva los alimentos en cualquier material adecuado antes de ponerlos en el congelador.
- No permita que los alimentos entren en contacto con las paredes interiores de los compartimentos del aparato.

2.4 Mantenimiento y limpieza



ADVERTENCIA!

Podría sufrir lesiones o dañar el aparato.

- Antes de proceder con el mantenimiento, apague el aparato y desconecte el enchufe de la red.
- Este equipo contiene hidrocarburos en la unidad de refrigeración. Solo una persona cualificada debe realizar el mantenimiento y la recarga de la unidad.
- Examine periódicamente el desagüe del aparato y límpielo si fuera necesario. Si el desagüe se bloquea, el agua descongelada se acumulará en la base del aparato.

2.5 Asistencia técnica

- Para reparar el aparato, póngase en contacto con el centro de servicio autorizado. Utilice solamente piezas de recambio originales.
- Tenga en cuenta que la autorreparación o la reparación no profesional puede tener consecuencias de seguridad y podría anular la garantía.
- Los siguientes repuestos estarán disponibles durante 7 años después de que el modelo se haya retirado del mercado: termostatos, sensores de temperatura, placas de circuito impreso, fuentes de luz, manijas de puertas, bisagras de puertas, bandejas y cestas. Tenga en cuenta que algunas de estas piezas de recambio solo están disponibles para los reparadores profesionales, y que no todas las piezas de recambio son relevantes para todos los modelos.
- Las juntas de las puertas estarán disponibles durante 10 años después de que el modelo se haya retirado.

2.6 Desecho



ADVERTENCIA!

Existe riesgo de lesiones o asfixia.

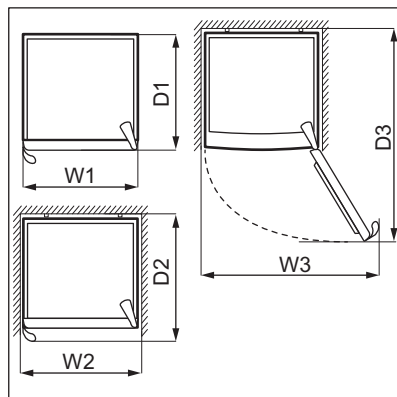
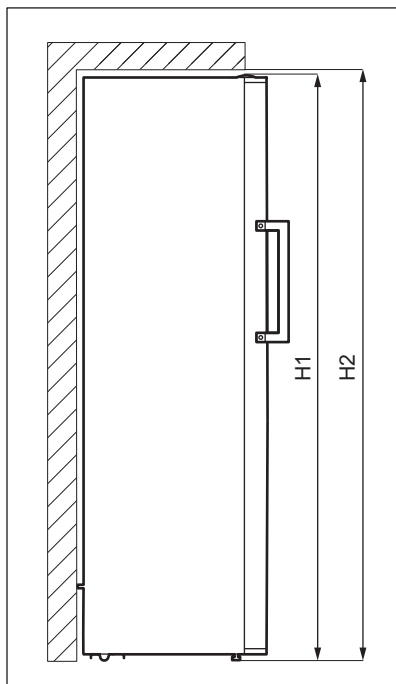
- Desconecte el aparato de la red.
- Corte el cable de conexión a la red y deséchelo.
- Retire la puerta para evitar que los niños y las mascotas queden encerrados en el aparato.
- El circuito del refrigerante y los materiales aislantes de este aparato no dañan la capa de ozono.
- La espuma aislante contiene gas inflamable. Póngase en contacto con las autoridades locales para saber cómo desechar correctamente el aparato.
- No dañe la parte de la unidad de refrigeración que está cerca del intercambiador de calor.

3. INSTALACIÓN



ADVERTENCIA!
Consulte los capítulos sobre seguridad.

3.1 Dimensiones



Dimensiones generales ¹		
H1*	mm	1550
W1	mm	595
D1	mm	650

¹ la altura, anchura y profundidad del aparato sin el asa

*incluida la altura de la bisagra superior (10 mm)

Espacio necesario en uso ²		
H2	mm	1700
W2	mm	695

Espacio necesario en uso ²		
D2	mm	753

² la altura, anchura y profundidad del aparato, incluyendo la manija, más el espacio necesario para la libre circulación del aire de refrigeración

Espacio total necesario en uso ³		
H2	mm	1700
W3	mm	990
D3	mm	1244

³ la altura, anchura y profundidad del aparato, incluido el mango, más el espacio necesario para la libre circulación del aire de refrigeración, más el espacio necesario para permitir la apertura de la puerta hasta el ángulo mínimo que permita la extracción de todo el equipo interno

3.2 Ubicación

Este aparato no está diseñado para utilizarse empotrado.

En el caso de una instalación diferente de la autónoma respetando el espacio requerido en las dimensiones de uso, el aparato funcionará correctamente pero el consumo de energía podría aumentar ligeramente.

Para garantizar el mejor funcionamiento del aparato, no debe instalarlo en las proximidades de la fuente de calor (horno, estufas, radiadores, cocinas o fogones) ni en un lugar con luz solar directa. Asegúrese de que el aire pueda circular libremente alrededor de la parte posterior del armario.

Este aparato debe instalarse en una ubicación interior seca y bien ventilada.

Para garantizar el mejor rendimiento, si el aparato se coloca debajo de un mueble de cocina colgado en la pared, mantenga la distancia mínima entre la parte superior y el mueble. Sin embargo, lo ideal sería que el aparato no se coloque debajo de los muebles de pared. Una o más patas ajustables en la base del armario garantizan que el aparato se mantiene nivelado.



PRECAUCIÓN!

Se coloca el aparato contra un muro, utilice los separadores traseros suministrados o mantenga la distancia mínima indicada en las instrucciones de instalación.



PRECAUCIÓN!

Se instala el aparato junto muro, consulte las instrucciones de instalación para conocer la distancia mínima entre el muro y el lado del aparato donde se encuentran las bisagras de la puerta para dejar espacio suficiente para abrir la puerta al retirar los equipos internos (por ejemplo, limpiar).

Este aparato está destinado a ser utilizado a una temperatura ambiente que oscila entre 10°C y 43°C.



Solo se puede garantizar el correcto funcionamiento del aparato dentro del rango de temperatura especificado.



Si tiene cualquier duda respecto al lugar de instalación del aparato, consulte al vendedor, a nuestro servicio de atención al cliente o al centro de servicio autorizado más cercano.



Puede que en algún momento sea necesario desconectar el aparato de la toma de corriente. Por lo que el enchufe debe quedar accesible tras la instalación del aparato.

3.3 Conexión eléctrica

- Antes de enchufarlo, asegúrese de que la tensión y la frecuencia indicadas en la placa de características se correspondan con la fuente de alimentación doméstica.
- El aparato debe estar conectado a tierra. El enchufe del cable de alimentación se suministra con un contacto para este fin. Si la toma de corriente doméstica no está conectada a tierra, conecte el aparato a una toma de tierra independiente de acuerdo con la normativa vigente, con

el asesoramiento de un electricista cualificado.

- El fabricante declina toda responsabilidad si no se respetan las precauciones de seguridad anteriores.

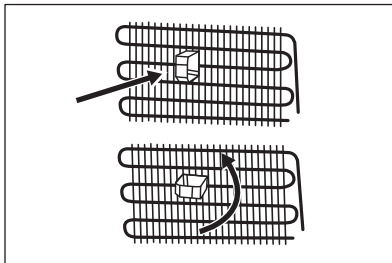
3.4 Nivelado

Al colocar el aparato, asegúrese de que queda nivelado. Esto se puede conseguir con dos patas ajustables en la parte inferior delantera.

3.5 Espaciadores traseros

En la bolsa con la documentación, hay dos espaciadores que deben colocarse como se muestra en la figura.

Si coloca el aparato contra una pared en una instalación independiente, instale los separadores traseros para garantizar la distancia mínima necesaria para la circulación del aire.



3.6 Cambio del sentido de apertura de la puerta

Consulte el documento separado con instrucciones de instalación y de inversión de la puerta.



PRECAUCIÓN!

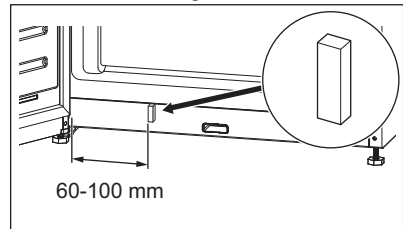
En todas las fases del cambio de sentido de la puerta, proteja la puerta de arañazos con un material resistente.

3.7 Apertura fácil

El volumen del aire de refrigeración se contrae dentro del aparato provocando succión, lo que dificulta la apertura de la puerta. Para facilitar la apertura del aparato, utilice una lámina adhesiva de la bolsa de documentación.

Para instalar la lámina:

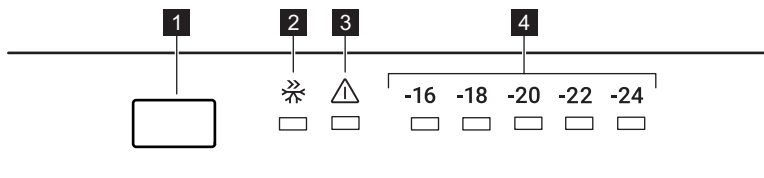
1. Despegue cubierta posterior de la lámina.
2. Pegue la lámina en el armazón, en la parte inferior del aparato, a una distancia mínima de 60 mm a 100 mm de la bisagra.



Mantenga la lámina alejada de los niños. Hay un riesgo de que puedan tragarse.

4. FUNCIONAMIENTO

4.1 Panel de mandos



1 Botón de regulación de temperatura

2 Indicador Super Freeze

3 Indicador de alarma

4 Indicadores de temperatura

4.2 Encendido y apagado

Para encender el aparato, inserte el enchufe en la toma de pared.

i Para desactivar todas las funciones, active el modo Standby. Consulte la sección "modo Standby".

Para apagar el aparato, desenchúfelo.

4.3 Regulación de temperatura

La temperatura recomendada es:

- -18 °C para el congelador.

El rango de temperatura puede variar entre -16 °C y -24 °C .

Para ajustar la temperatura del aparato, pulse el botón de regulación de temperatura varias veces hasta alcanzar la temperatura deseada del compartimento.

El ajuste debe elegirse teniendo en cuenta que la temperatura interior del aparato depende de:

- temperatura ambiente,
- frecuencia de apertura de la puerta,
- cantidad de alimentos guardados,
- ubicación del aparato.

Lo más conveniente es ajustar la temperatura en una posición intermedia.

Los indicadores de temperatura muestran la temperatura programada.

i La temperatura programada se alcanza en un plazo de 24 horas.

4.4 Alarma de temperatura alta

i La alarma suena al enchufar el aparato por primera vez.


La alarma suena si la temperatura del aparato es demasiado alta.

Durante la alarma:

- el indicador de alarma parpadea
- el indicador de temperatura -24 parpadea,
- y suena la alarma acústica.


Apagado de la alarma

- Pulse cualquier tecla del panel de control para apagar la alarma. El indicador de alarma permanece encendido hasta que se restablece la temperatura.
- El pitido de alarma se apaga automáticamente después de 1 hora. El indicador de alarma parpadea y el indicador de temperatura -24 parpadea.
- Si el aparato vuelve a la temperatura ajustada, el pitido de alarma y el indicador de alarma se apagan. Compruebe que los alimentos del interior no se hayan estropeado o descongelado. Si es sí, consulte la sección "Descongelación".

 Consulte la sección "Regulación de temperatura" para ajustar la temperatura del aparato.

4.5 Super Freeze función

La función Super Freeze se utiliza para realizar una congelación previa y una congelación rápida en orden del compartimento congelador. Acelera la congelación de alimentos frescos e impide que se calienten los alimentos ya almacenados.

 Para congelar alimentos frescos, active la función Super Freeze al menos 24 horas antes de colocar los alimentos para completar la precongelación.

Para activar esta función, pulse repetidamente el botón de regulación de temperatura hasta que aparezca el indicador Super Freeze.

Esta función se detiene automáticamente después de 54 horas.

Puede desactivar la función Super Freeze antes de su finalización automática repitiendo el procedimiento hasta que se apaga el indicador Super Freeze o seleccionando una temperatura diferente del compartimento congelador.

4.6 Alarma de puerta abierta


Si la puerta del congelador se deja abierta durante aproximadamente 2 minutos, el sonido se activa y el indicador de la alarma parpadea.

La alarma se detiene después de cerrar la puerta.

4.7 Alarma

En caso de problemas de refrigeración, interrupciones del suministro eléctrico o cambios significativos de temperatura

dentro del aparato, el indicador de alarma se ilumina en rojo y el sonido se activa.

 La alarma puede encenderse cuando se conecta el aparato por primera vez.


Consulte el capítulo "Solución de problemas" para ver más causas posibles de activación de la alarma y soluciones sobre cómo desactivarla.

4.8 Modo Standby


Active el modo Standby para desactivar la función de y congelación y reducir así el consumo de energía del aparato.

Para activar el modo Standby:

1. Ajuste la temperatura para -16°C . Consulte la sección "Regulación de temperatura".
2. Mantenga pulsado el botón de regulación de temperatura hasta que todos los indicadores de temperatura parpadeen 3 veces.

 Si pulsa el botón de regulación de temperatura mientras el modo Standby está activado, todos los indicadores de temperatura parpadean 3 veces.

Puede desactivar el modo Standby repitiendo el procedimiento anterior.

 Durante el modo Standby, la temperatura interior del aparato puede superar el valor ajustado de -16°C . Si esto sucede después de que se desactive el modo, se enciende el indicador de alarma y el sonido se activa. Cuando el aparato baja automáticamente la temperatura, el indicador de alarma y la alarma sonora se desactivan.

5. USO DIARIO

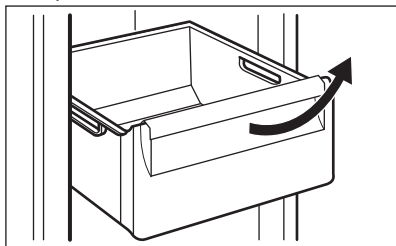
5.1 Estante móvil

Las paredes del compartimento del congelador cuentan con una serie de guías para que pueda retirar fácilmente el estante.

5.2 Cómo retirar e instalar los cajones del congelador

Para retirar un cajón del compartimento congelador:

1. Abre completamente la puerta del congelador.
2. Tire del cajón hacia afuera hasta el tope.
3. Levanta ligeramente la parte delantera del cajón y extráelo del aparato.



Para volver a colocar el cajón en su posición inicial, siga los pasos anteriores en orden inverso.

5.3 Congelación de alimentos frescos

El compartimento del congelador es adecuado para congelar alimentos frescos y conservar a largo plazo los alimentos congelados y ultracongelados.

Para congelar alimentos frescos, active la función Super Freeze al menos 24 horas antes de introducir los alimentos en el compartimento congelador.

Guarde los alimentos frescos distribuidos uniformemente en el primer compartimento o cajón desde la parte superior.

La cantidad máxima de alimentos que pueden congelarse sin añadir otros

alimentos frescos durante 24 horas, se indica en la placa de datos técnicos (una etiqueta situada en el interior del aparato).

5.4 Almacenamiento de alimentos congelados

Al activar un aparato por primera vez o después de un periodo sin uso, déjelo en marcha al menos durante 3 horas antes de colocar productos en el compartimento con la función Super Freeze encendida.

Los cajones del congelador le aseguran una búsqueda rápida y fácil de los alimentos que desea encontrar. Si se va a guardar una gran cantidad de alimentos, retire todos los cajones, excepto el cajón inferior, que debe permanecer en su sitio para una buena circulación del aire.

Todos los alimentos de los estantes deben estar como mínimo a 15 mm de la puerta.



PRECAUCIÓN!

En caso de que se produzca una descongelación accidental, por ejemplo, por un corte del suministro eléctrico, si la interrupción ha sido más prolongada que el valor indicado en la placa de características bajo el "tiempo de elevación", los alimentos descongelados se deben consumir rápidamente o cocinar de inmediato y luego volverse a congelar.

5.5 Descongelación

Los alimentos ultracongelados o congelados, antes de utilizarlos, se pueden descongelar en el frigorífico o a temperatura ambiente, dependiendo del tiempo de que se disponga.

Es posible incluso cocinar trozos pequeños congelados, directamente desde el congelador, en este caso, la cocción tardará más en cocinarse.

6. CONSEJOS

6.1 Consejos para ahorrar energía

- La configuración interna del aparato es la que garantiza el uso más eficiente de la energía.
- No abra la puerta con frecuencia ni la deje abierta más tiempo del necesario.
- Cuanto más frío sea el ajuste de la temperatura, mayor será el consumo de energía.
- Asegure una buena ventilación. No cubra las rejillas o los orificios de ventilación.
- Asegúrese de que los productos alimenticios dentro del aparato permitan la circulación de aire a través de los orificios dedicados al efecto en el interior trasero del aparato.


6.2 Consejos sobre la congelación

- Active la función Super Freeze al menos 24 horas antes de colocar los alimentos en dentro del congelador.
- Antes de congelar, envuelva y selle los alimentos frescos en: papel de aluminio, film o bolsas de plástico, envases herméticos con tapa.
- Para congelar y descongelar con más eficacia, divida la comida en porciones pequeñas.
- Se recomienda poner etiquetas y fechas en todos sus alimentos congelados. Esto ayudará a identificar los alimentos y a saber cuándo deben utilizarse antes de su deterioro.
- Los alimentos deben ser frescos al congelarlos para preservar la buena calidad. Especialmente las frutas y verduras deben ser congeladas después de cosecharlos para preservar todos sus nutrientes.
- No congele las botellas o latas con líquidos, en particular las bebidas que contienen dióxido de carbono, ya que pueden explotar durante la congelación.
- No coloque alimentos calientes en el compartimiento del congelador. Enfríelos a temperatura ambiente

antes de colocarlos dentro del compartimiento.

- Para evitar aumentos en la temperatura de comida ya congelada, no coloque comida no congelada justo al lado. Coloque los alimentos a temperatura ambiente en la parte del compartimiento del congelador donde no hay alimentos congelados.
- No coma cubitos de hielo, sorbetes o helados inmediatamente después de sacarlos del congelador. Existe riesgo de quemaduras.
- No vuelva a congelar los alimentos descongelados. Si la comida se ha descongelado, cocínala, enfríala y luego congélela.

6.3 Consejos para el almacenamiento de alimentos congelados

- El compartimiento congelador es el marcado con .
- Un buen ajuste de la temperatura que garantice la conservación de los alimentos congelados es una temperatura inferior o igual a -18°C . Una temperatura más alta en el interior del aparato puede reducir la vida útil.
- Todo el compartimiento congelador es adecuado para el almacenamiento de alimentos congelados.
- Deje suficiente espacio alrededor de los alimentos para permitir que el aire circule libremente.
- Para un almacenamiento adecuado, consulte la etiqueta de los envases de los alimentos para ver su vida útil.
- Es importante envolver los alimentos de tal manera que se evite que el agua, la humedad o la condensación entren en su interior.

6.4 Consejos de compra

Después de la compra:

- Asegúrese de que el envase no esté dañado - los alimentos podrían estar deteriorados. Si el paquete está hinchado o mojado, es posible que no se haya almacenado en condiciones

- óptimas y que la descongelación ya haya comenzado.
- Para limitar el proceso de descongelación, compre los productos congelados al final de su compra en el supermercado y téngalos en una bolsa térmica y aislada.
- Ponga los alimentos congelados inmediatamente en el congelador después de volver de la tienda.
- Si la comida se ha descongelado aunque sea parcialmente, no la vuelva a congelar. Se debe consumir lo antes posible.
- Respete la fecha de caducidad y la información de almacenamiento del paquete.

6.5 Vida útil

Tipo de alimento	Vida útil (meses)
Pan	3
Frutas (excepto cítricos)	6 - 12
Verduras	8 - 10
Sobras sin carne	1 - 2
Lácteos:	
Mantequilla	6 - 9
Queso blando (p. ej. mozzarella)	3 - 4
Queso duro (p. ej. parmesano, cheddar)	6
Marisco:	
Pescado graso (p. ej. salmón, caballa)	2 - 3
Pescado magro (p. ej. bacalao, platija)	4 - 6
Langostinos	12
Almejas y mejillones desconchados	3 - 4
Pescado cocinado	1 - 2
Carne:	
Aves	9 - 12
Vacuno	6 - 12
Cerdo	4 - 6
Cordero	6 - 9
Salchichas	1 - 2
Jamón	1 - 2
Sobras con carne	2 - 3

7. CUIDADO Y LIMPIEZA



ADVERTENCIA!
 Consulte los capítulos sobre seguridad.

accesorios internos con agua templada y un jabón neutro para eliminar el típico olor de un producto nuevo y a continuación seque bien.

7.1 Limpieza del interior

Antes de utilizar el aparato por primera vez, lave el interior y todos los

**PRECAUCIÓN!**

No utilice detergentes, polvos abrasivos ni limpiadores a base de cloro o aceite, ya que podrían dañar el acabado.

**PRECAUCIÓN!**

Los accesorios y las piezas del aparato no deben lavarse en lavavajillas.

7.2 Limpieza periódica

El equipo debe limpiarse con regularidad:

1. Limpie el interior y los accesorios con agua tibia y jabón neutro.
2. Revise y limpie periódicamente las juntas de la puerta para mantenerlas limpias y sin restos.
3. Limpie el condensador con un cepillo al menos dos veces al año.
4. Limpie la bandeja de evaporación periódicamente para eliminar el agua acumulada.
5. Enjuague y seque bien.

7.3 Descongelación del aparato

La descongelación del compartimento congelador es automática. Sin embargo,

es posible que se cree una capa de escarcha en las paredes interiores si la puerta del congelador se abre con frecuencia o se mantiene abierta durante demasiado tiempo.

7.4 Descongelación del aparato

La escarcha se elimina automáticamente del evaporador del compartimento frigorífico cada vez que se detiene el compresor del motor, durante el uso normal. El agua de descongelar sale a través de un canal a un recipiente especial en la parte posterior del aparato, cerca del compresor del motor, donde se evapora.

7.5 Periodos sin funcionamiento

Si el aparato no se utiliza durante un tiempo prolongado, toma las siguientes precauciones:

1. Desconecte el aparato del suministro eléctrico.
2. Retire todos los alimentos.
3. Limpie el aparato y todos los accesorios.
4. Deje la puerta abierta para evitar olores desagradables.

8. SOLUCIÓN DE PROBLEMAS

**ADVERTENCIA!**

Consulte los capítulos sobre seguridad.

8.1 Qué hacer si...

Problema	Posible causa	Solución
El aparato no funciona.	El aparato está apagado.	Encienda el aparato.
	El enchufe no está bien conectado a la toma de corriente.	Conecte el aparato a la toma de corriente correctamente.
	No hay tensión en la toma de corriente.	Conecte un aparato diferente a la de corriente. Póngase en contacto con un electricista cualificado.

Problema	Posible causa	Solución
El aparato hace ruido.	El aparato no está bien apoyado.	Compruebe que los soportes del aparato están estables.
El compresor funciona continuamente.	La temperatura se ha ajustado de manera incorrecta.	Consulte el capítulo "Funcionamiento".
	Se han introducido muchos alimentos al mismo tiempo.	Espere unas horas y vuelva a comprobar la temperatura.
	La temperatura ambiente es demasiado alta.	Consulte el capítulo "Instalación".
	Los alimentos introducidos en el aparato estaban demasiado calientes.	Deje que los alimentos se enfríen a temperatura ambiente antes de guardarlos.
	La puerta no está bien cerrada.	Consulte la sección "Cierre de la puerta".
	La función Super Freeze está activada.	Consulte la sección "Super Freeze función".
El compresor no se pone en marcha inmediatamente después de pulsar «Super Freeze», o tras cambiar la temperatura.	El compresor se pone en marcha al cabo de cierto tiempo.	Esto es normal, no se ha producido ningún error.
La puerta está mal alineada o interfiere con la rejilla de ventilación.	El aparato no está nivelado.	Consulte las instrucciones de instalación.
La puerta no se abre fácilmente.	Ha intentado volver a abrir la puerta inmediatamente después de cerrarla.	Espere unos segundos entre el cierre y la reapertura de la puerta.
Hay demasiada escarcha y hielo.	La puerta no está bien cerrada.	Consulte la sección "Cierre de la puerta".
	La junta de la puerta está sucia o deformada.	Consulte la sección "Cierre de la puerta".
	Los alimentos no están bien envueltos.	Envuelva mejor los productos.
	La temperatura se ha ajustado de manera incorrecta.	Consulte el capítulo "Funcionamiento".
	El aparato está completamente cargado y ajustado a la temperatura más baja.	Seleccione una temperatura más alta. Consulte el capítulo "Funcionamiento".

Problema	Posible causa	Solución
	La temperatura ajustada en el aparato es demasiado baja y la temperatura ambiente demasiado alta.	Seleccione una temperatura más alta. Consulte el capítulo "Funcionamiento".
El agua fluye por el suelo.	La salida de agua de descongelación no está conectada a la bandeja de evaporación situada sobre el compresor.	Acople la salida de agua de descongelación a la bandeja de evaporación.
No se puede ajustar la temperatura.	La función Super Freeze está activada.	Apaga la Super Freeze función manualmente o espere hasta que la función se desactive automáticamente para ajustar la temperatura. Consulte la sección "Super Freeze función".
La temperatura del aparato es demasiado baja/alta.	La temperatura no se ha ajustado correctamente.	Seleccione una temperatura más alta/más baja.
	La puerta no está bien cerrada.	Consulte la sección "Cierre de la puerta".
	La temperatura de los productos es demasiado alta.	Deje que la temperatura de los alimentos descienda a la temperatura ambiente antes de guardarlos.
	Se han guardado muchos alimentos al mismo tiempo.	Guarde menos alimentos al mismo tiempo.
	La puerta se ha abierto con frecuencia.	Abra la puerta sólo si es necesario.
	La función Super Freeze está activada.	Consulte la sección "Super Freeze función".
	No hay circulación de aire frío en el aparato.	Asegúrese de que el aire frío circula libremente en el aparato. Consulte el capítulo "Consejos".



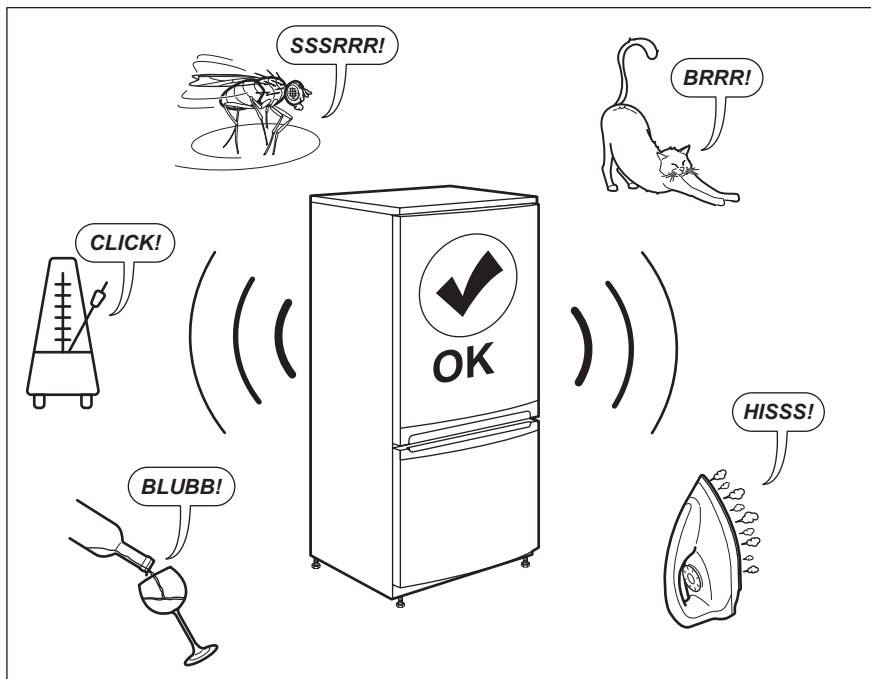
Si el consejo anterior no ofrece resultados, llame al servicio técnico autorizado más cercano.

2. Si es necesario, ajuste la puerta. Consulte el capítulo "Instalación".
3. Si es necesario, cambie las juntas defectuosas de la puerta. Póngase en contacto con el servicio técnico autorizado.

8.2 Cierre de la puerta

1. Limpie las juntas de la puerta.

9. RUIDOS



10. DATOS TÉCNICOS

La información técnica se encuentra en la placa de datos técnicos situada en el interior del aparato y en la etiqueta de consumo energético.

El código QR de la etiqueta energética suministrada con el aparato proporciona un enlace web a la información relacionada con el rendimiento del aparato en la base de datos EPREL de la UE. Guarde la etiqueta energética como referencia junto con el manual de usuario y todos los demás documentos que se proporcionan con este aparato.

También puede encontrar la misma información en EPREL accediendo desde el enlace <https://eprel.ec.europa.eu> e introduciendo el nombre del modelo y el número de producto que se encuentran en la placa de datos técnicos del aparato.


Consulte el enlace www.theenergylabel.eu para obtener información detallada sobre la etiqueta energética.


11. INFORMACIÓN PARA INSTITUTOS DE PRUEBAS

La instalación y la preparación del aparato para cualquier verificación de EcoDesign deberá cumplir con EN 62552 (EU). Los requisitos de ventilación, las dimensiones de los huecos y las separaciones mínimas

traseras serán los indicados en este manual de usuario en "Instalación". Por favor, póngase en contacto con el fabricante para cualquier otra información adicional, incluyendo los planos de carga.

12. ASPECTOS MEDIOAMBIENTALES

Recicle los materiales con el símbolo . Coloque el material de embalaje en los contenedores adecuados para su reciclaje. Ayude a proteger el medio ambiente y la salud pública, así como a reciclar residuos de aparatos eléctricos y electrónicos. No deseche los aparatos

marcados con el símbolo  junto con los residuos domésticos. Lleve el producto a su centro de reciclaje local o póngase en contacto con su oficina municipal.

www.electrolux.com/shop



212002828-B-102024

